



US00D546356S

(12) **United States Design Patent** (10) **Patent No.:** **US D546,356 S**
Apothéloz (45) **Date of Patent:** **** Jul. 10, 2007**

(54) **MICROSCOPE**
(75) Inventor: **Christophe Apothéloz**, Zurich (CH)
(73) Assignee: **Leica Microsystems (Schweiz) AG**,
Heerbrugg (CH)

D423,029 S * 4/2000 Kawahata D16/131
D439,258 S * 3/2001 Kawahata D16/131
D440,996 S * 4/2001 Takanashi D16/131
D498,247 S * 11/2004 Suzuki et al. D16/131
D511,786 S * 11/2005 Apotheloz et al. D16/131
D517,581 S * 3/2006 Apotheloz et al. D16/131

(**) Term: **14 Years**

* cited by examiner

(21) Appl. No.: **29/259,737**

Primary Examiner—Paula A. Greene

(22) Filed: **May 15, 2006**

(74) *Attorney, Agent, or Firm*—Simpson & Simpson, PLLC

(30) **Foreign Application Priority Data**

Nov. 22, 2005 (EM) 000434956-0002

(57) **CLAIM**

The ornamental design for a microscope, as shown and described.

(51) **LOC (8) Cl.** **16-06**
(52) **U.S. Cl.** **D16/131**
(58) **Field of Classification Search** D16/130,
D16/131, 134; 359/360, 368, 375, 376, 377,
359/378, 381, 382, 383, 385, 388, 390, 392,
359/393, 801; D21/483; 353/39
See application file for complete search history.

DESCRIPTION

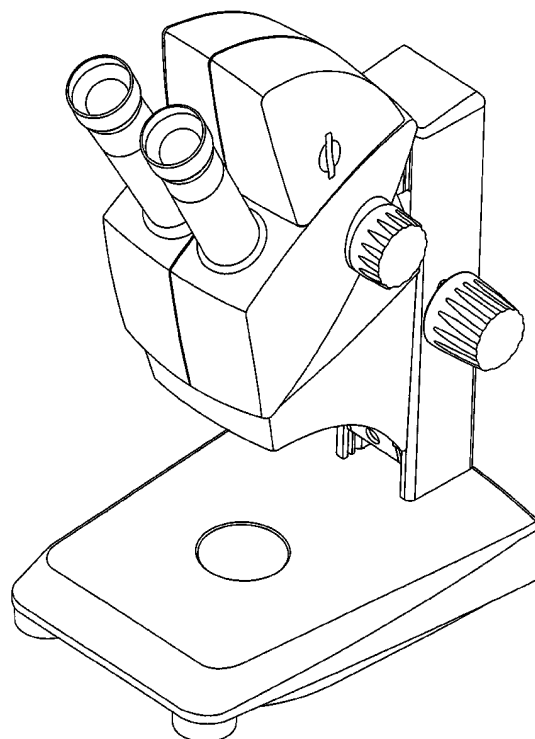
FIG. 1 is a perspective view of a microscope of the present invention;
FIG. 2 is a right side elevational view of the microscope of FIG. 1;
FIG. 3 is a left side elevational view of the microscope of FIG. 1;
FIG. 4 is a front plan elevational view of the microscope of FIG. 1;
FIG. 5 is a rear plan elevational view of the microscope of FIG. 1;
FIG. 6 is a top plan view of the microscope of FIG. 1; and,
FIG. 7 is a bottom plan view of the microscope of FIG. 1.

(56) **References Cited**

U.S. PATENT DOCUMENTS

1,167,425 A * 1/1916 Ott 359/376
2,014,874 A * 9/1935 Bauersfeld 359/381
2,143,632 A * 1/1939 Ott 359/376
2,170,967 A * 8/1939 Eppenstein 353/39
4,168,881 A * 9/1979 Rosenberger 359/381
4,175,826 A * 11/1979 Blaha et al. 359/377
D291,702 S * 9/1987 Kahute D16/131

1 Claim, 7 Drawing Sheets



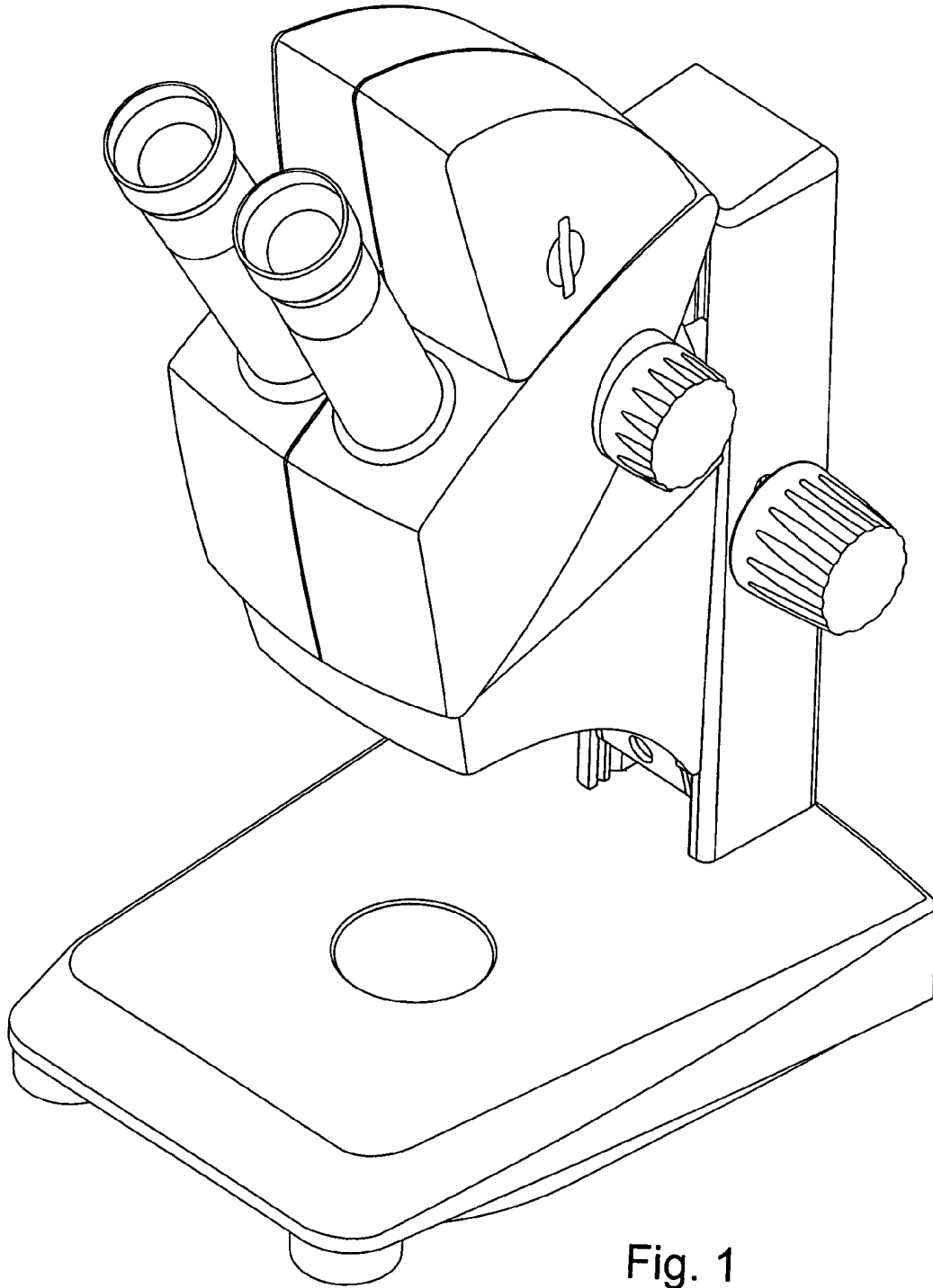


Fig. 1

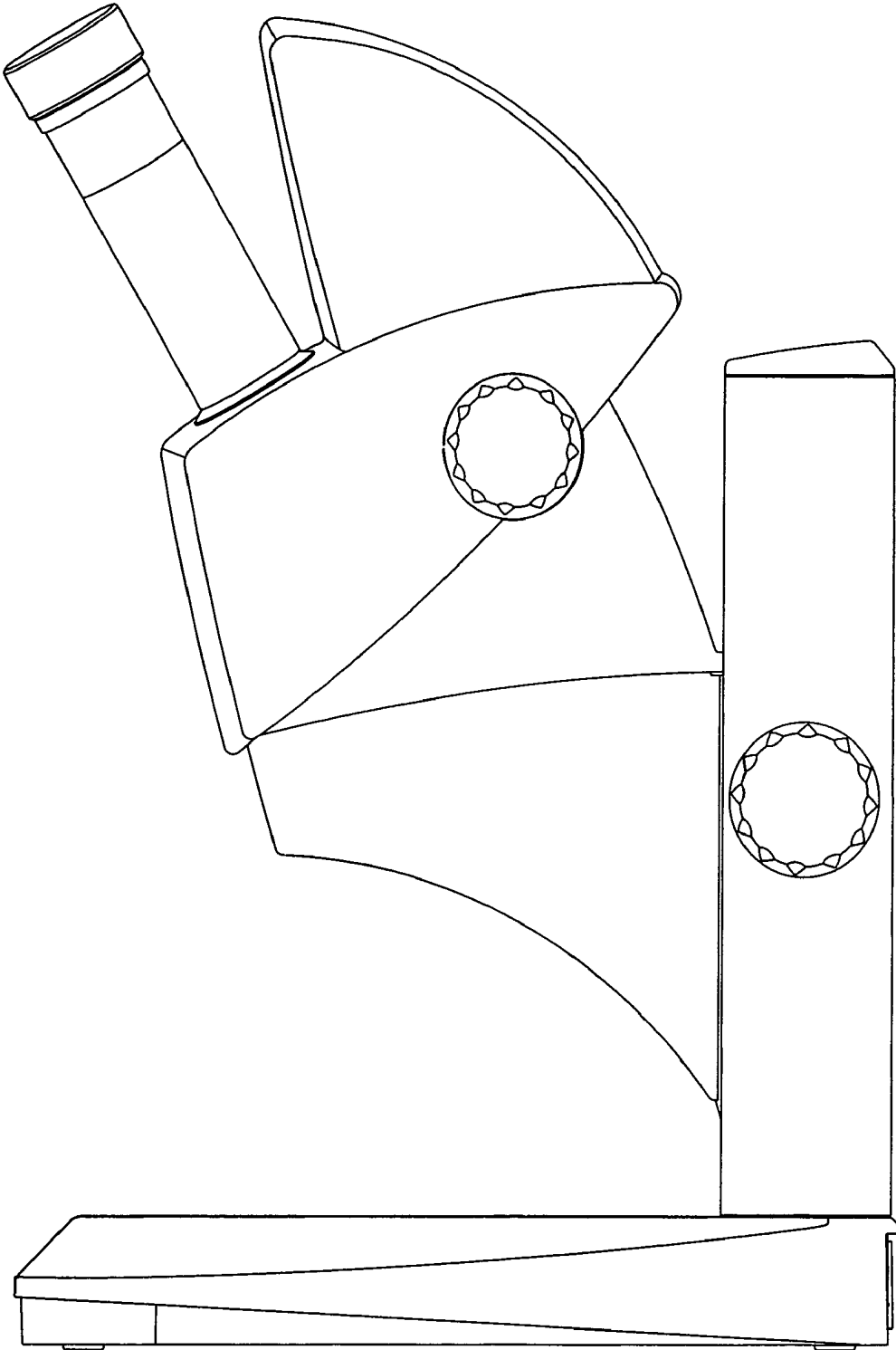


Fig. 2

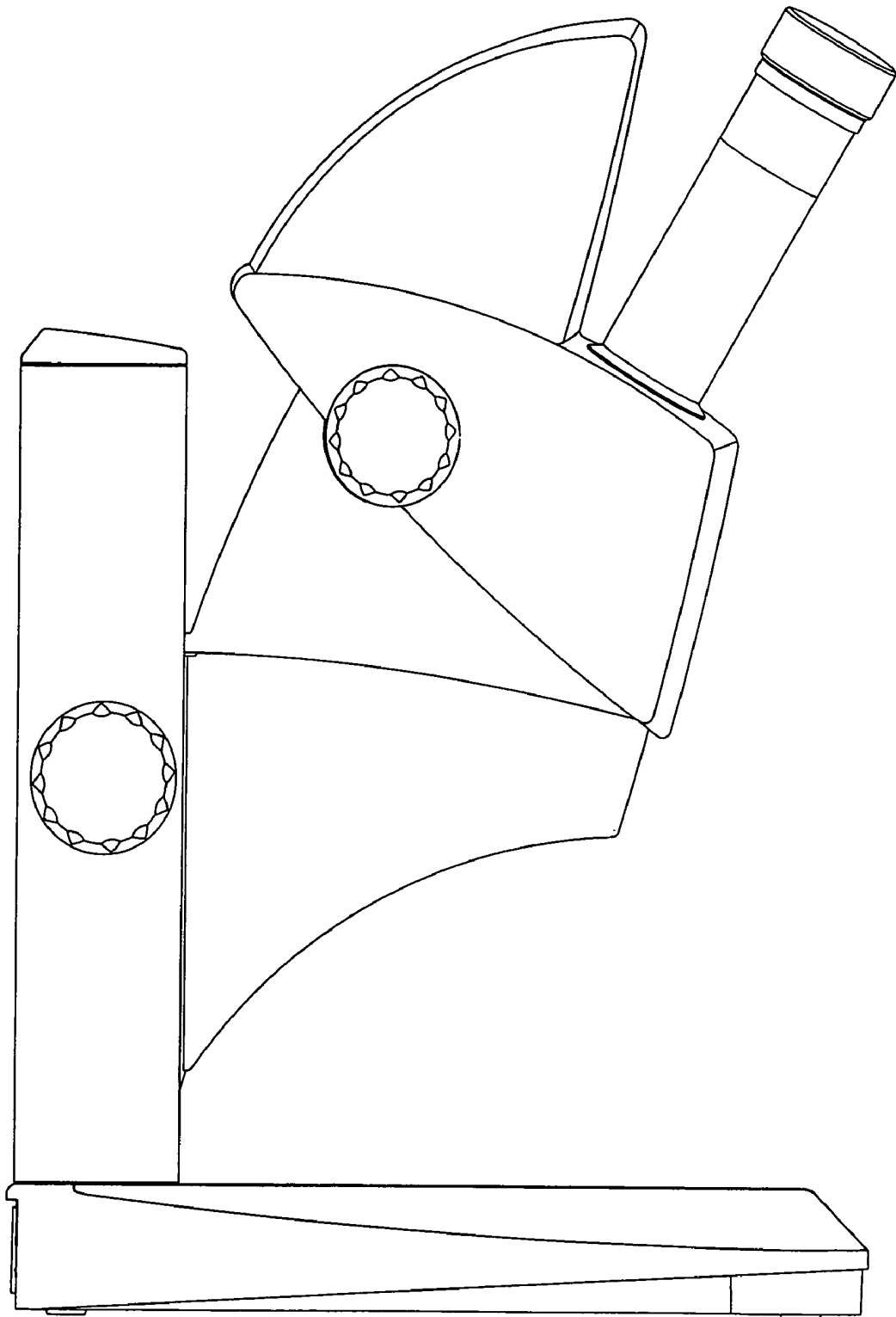


Fig. 3

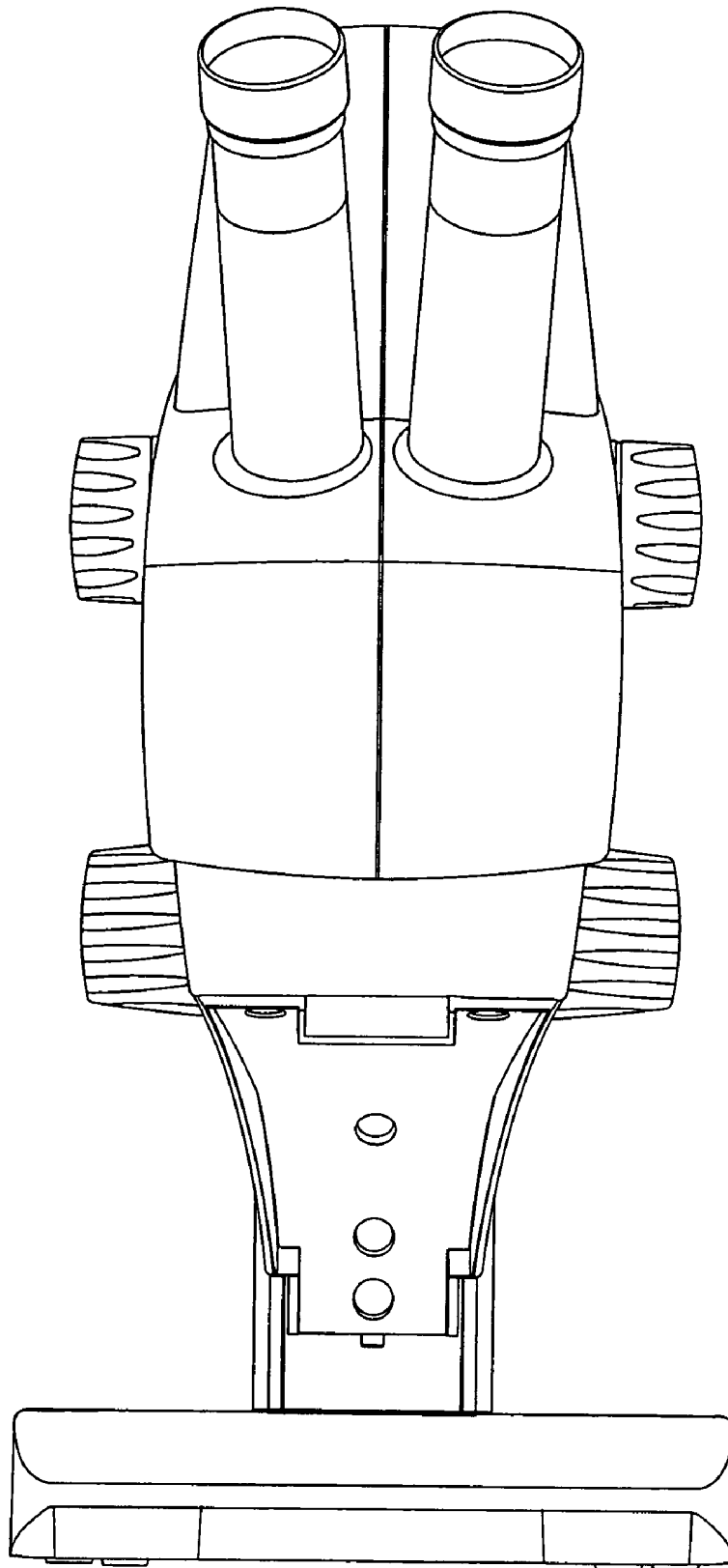


Fig. 4

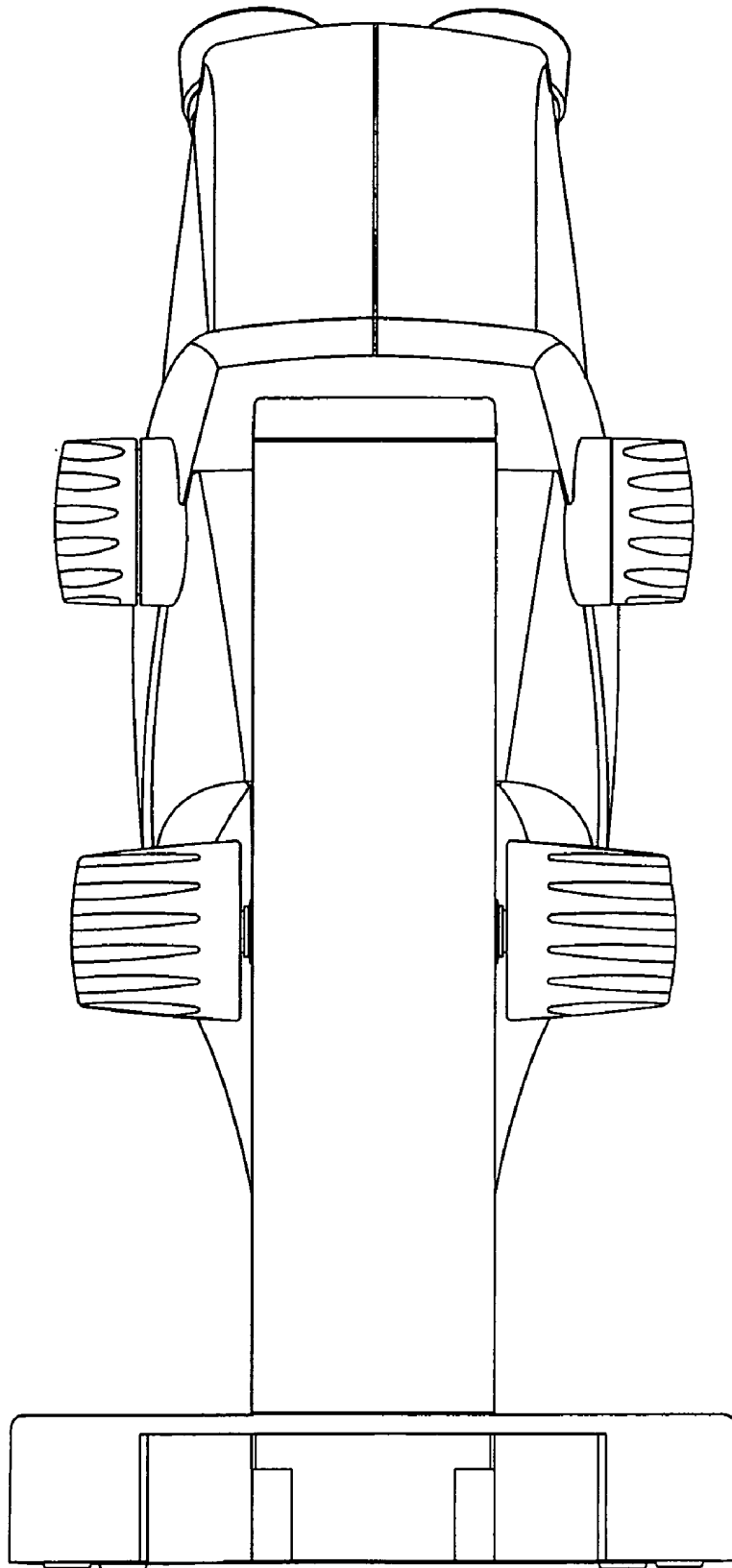


Fig. 5

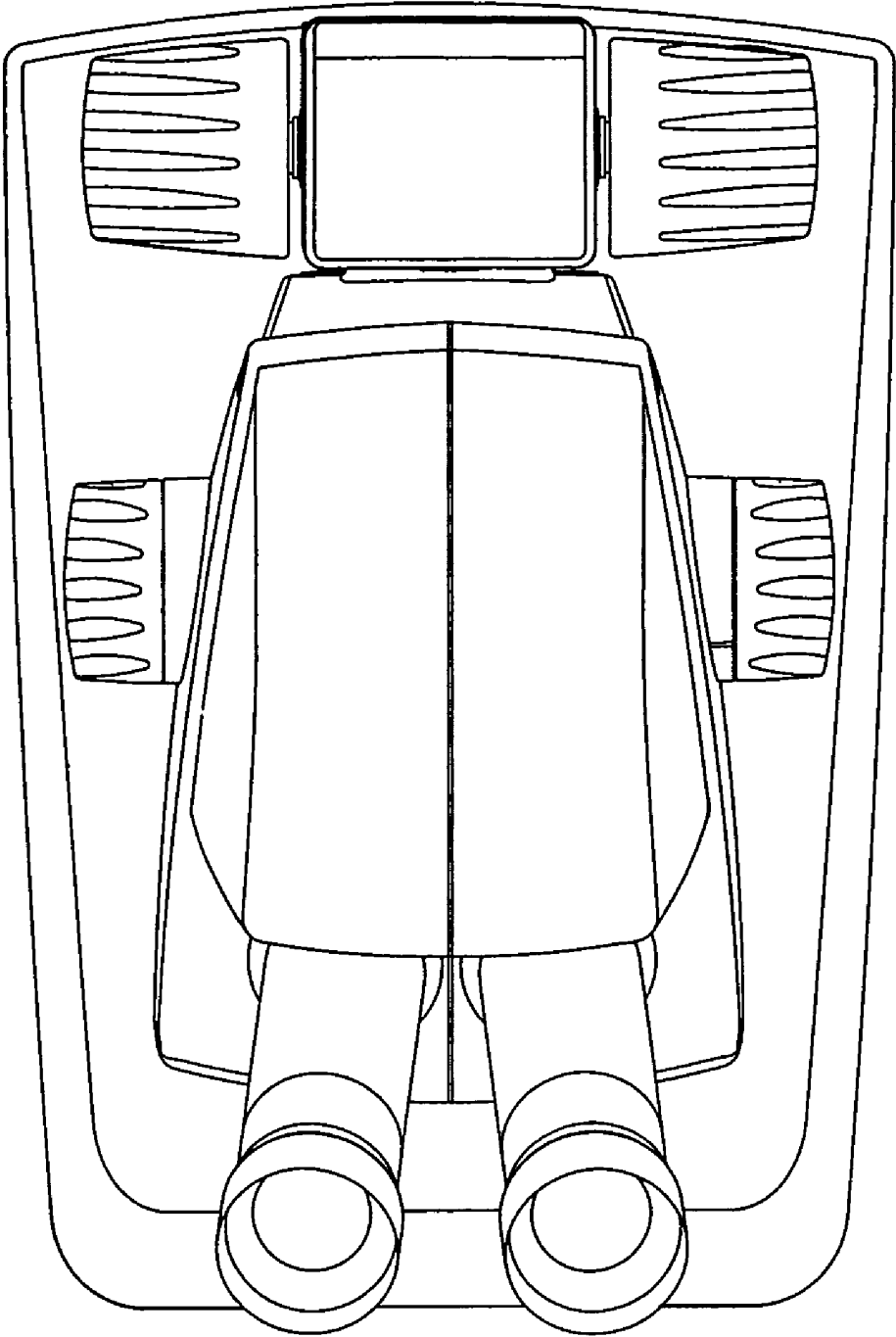


Fig. 6

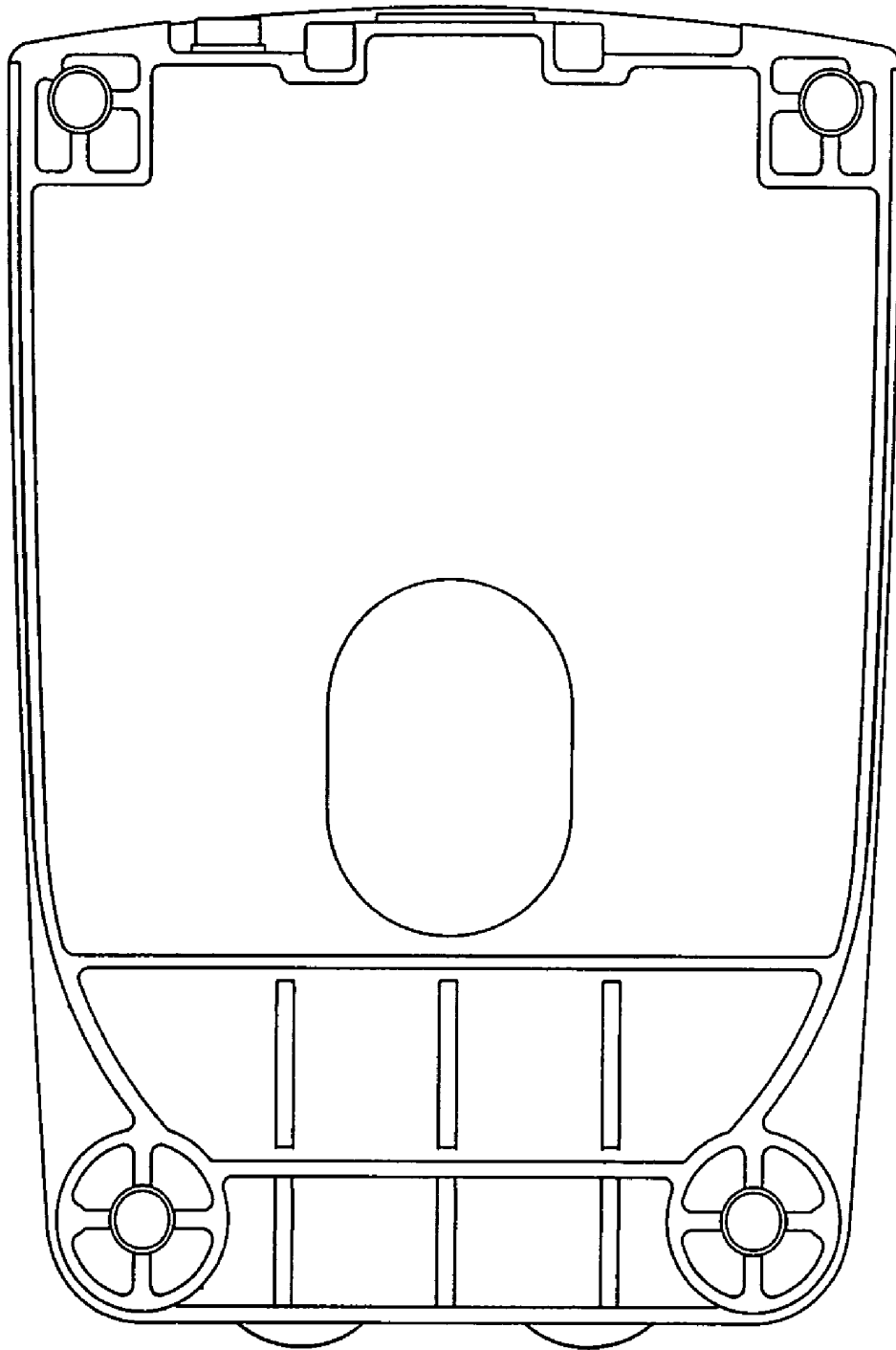


Fig. 7