



US00D546357S

(12) **United States Design Patent** (10) **Patent No.:** **US D546,357 S**
Apothéloz (45) **Date of Patent:** **** Jul. 10, 2007**

(54) **BASE FOR MICROSCOPE**

D494,199 S * 8/2004 Gingerella D16/131
D498,247 S * 11/2004 Suzuki et al. D16/131

(75) Inventor: **Christophe Apothéloz**, Zurich (CH)

* cited by examiner

(73) Assignee: **Leica Microsystems (Schweitz) AG**,
Heerbrugg (CH)

Primary Examiner—Paula A. Greene

(74) *Attorney, Agent, or Firm*—Simpson & Simpson, PLLC

(**) Term: **14 Years**

(57) **CLAIM**

(21) Appl. No.: **29/254,135**

The ornamental design for a base for microscope, as shown and described.

(22) Filed: **Feb. 17, 2006**

(30) **Foreign Application Priority Data**

DESCRIPTION

Aug. 18, 2005 (EM) 000388822

FIG. 1 is a perspective view of the base for microscope of the present invention shown with a microscope;

(51) **LOC (8) Cl.** **16-06**

FIG. 2 is a perspective view of the base for microscope of the present invention;

(52) **U.S. Cl.** **D16/135**

(58) **Field of Classification Search** D16/130,
D16/131, 134; 248/118, 918; 359/376, 368,
359/389, 462, 393, 377, 378, 375, 387
See application file for complete search history.

FIG. 3 is a top plan view of the base for microscope;

FIG. 4 is a bottom plan view of the base for microscope;

FIG. 5 is a front plan view of the base for microscope;

FIG. 6 is a rear plan view of the base for microscope;

FIG. 7 is a left side view of the base for microscope; and,

FIG. 8 is a right side view of the base for microscope.

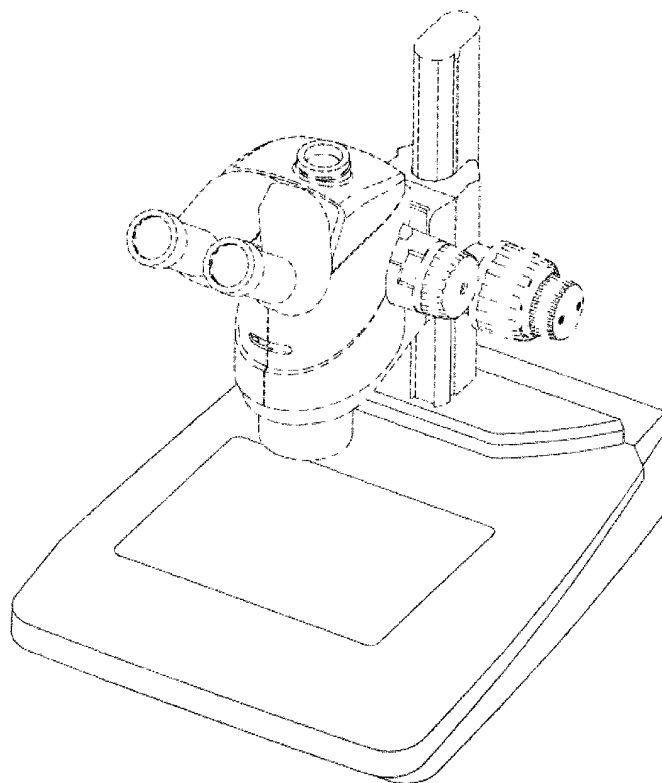
(56) **References Cited**

The broken line showing of a microscope affixed to the base for microscope of the present invention in FIG. 1 is for illustrative purposes only and forms no part of the claimed design.

U.S. PATENT DOCUMENTS

D252,276 S * 7/1979 Griffith D16/131
D291,702 S * 9/1987 Kahute D16/131
4,824,229 A * 4/1989 Narita et al. 359/393
4,863,252 A * 9/1989 McCarthy et al. 359/376
D345,748 S * 4/1994 Hoibl D16/131
D346,816 S * 5/1994 Kline et al. D16/131
D444,159 S * 6/2001 Hoelbl et al. D16/131

1 Claim, 6 Drawing Sheets



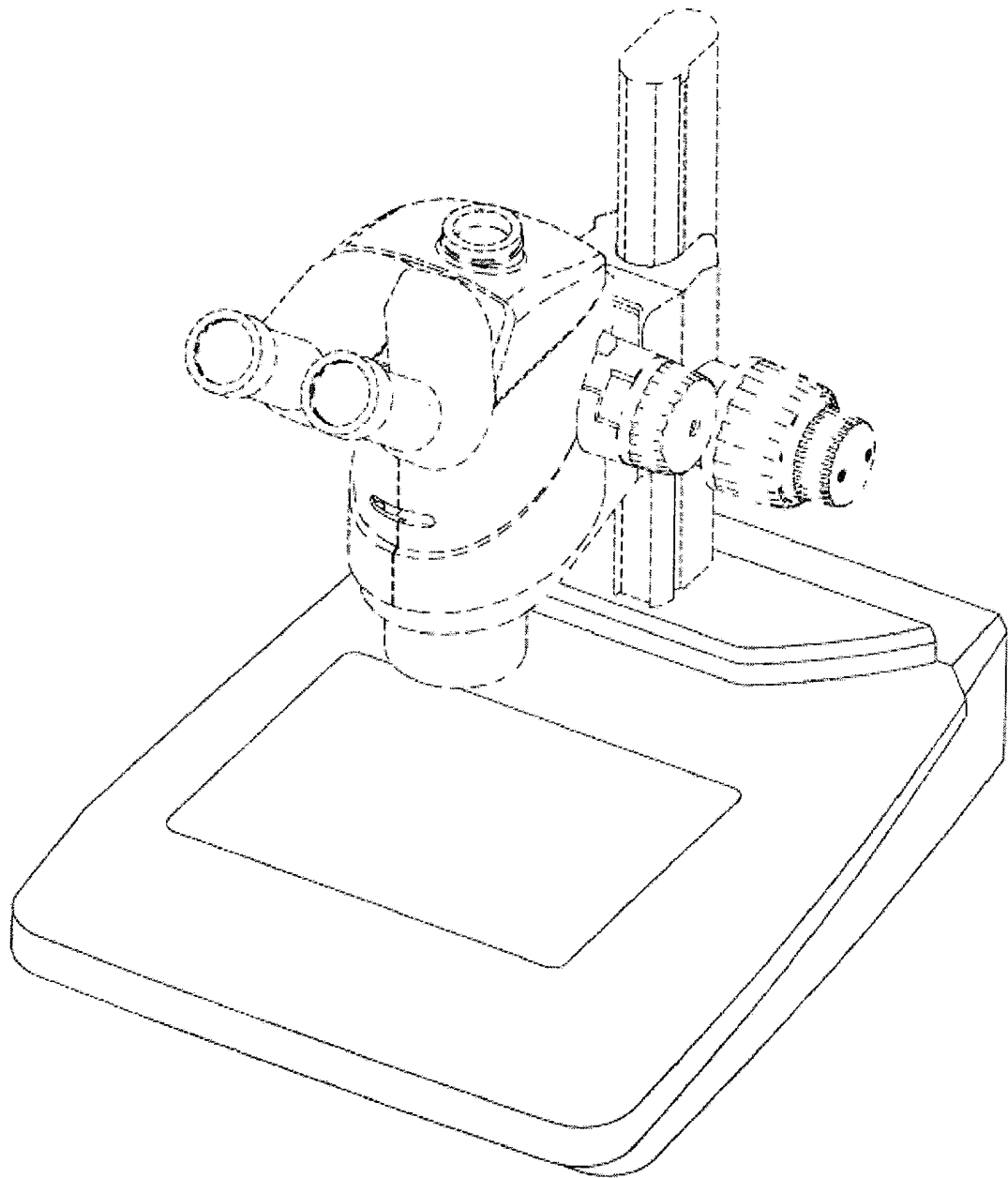


Fig. 1

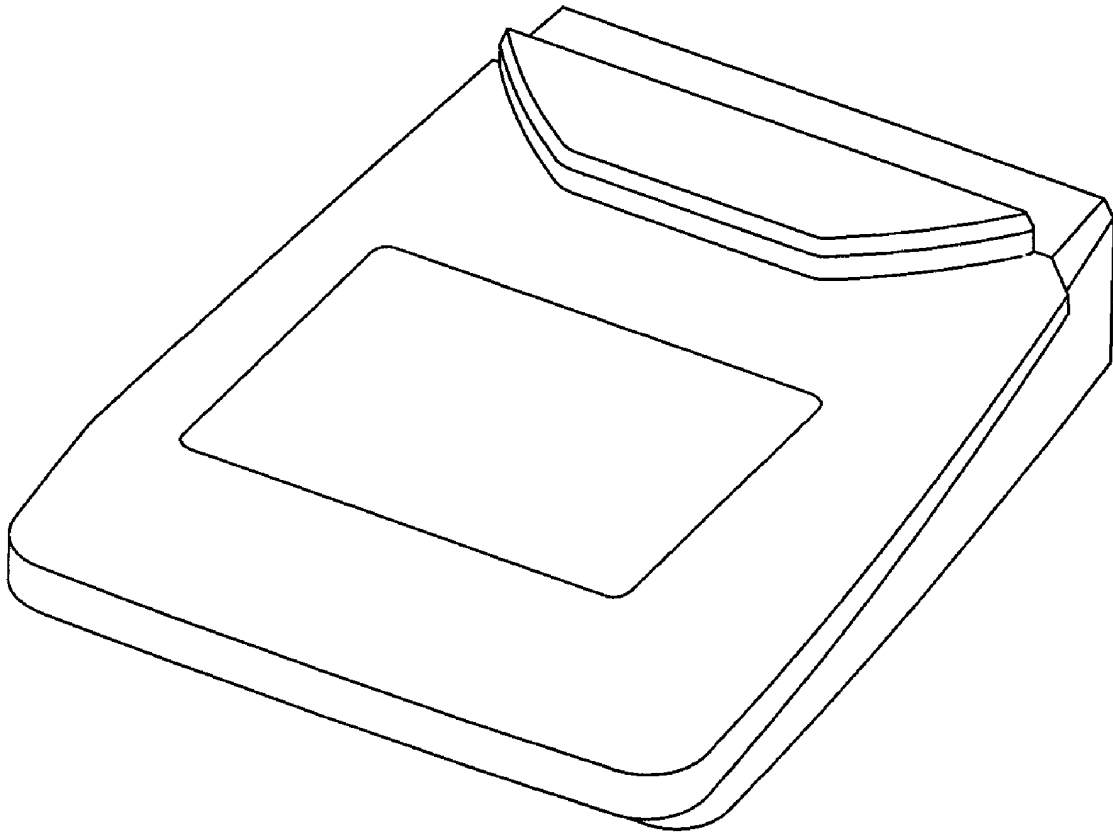


Fig. 2

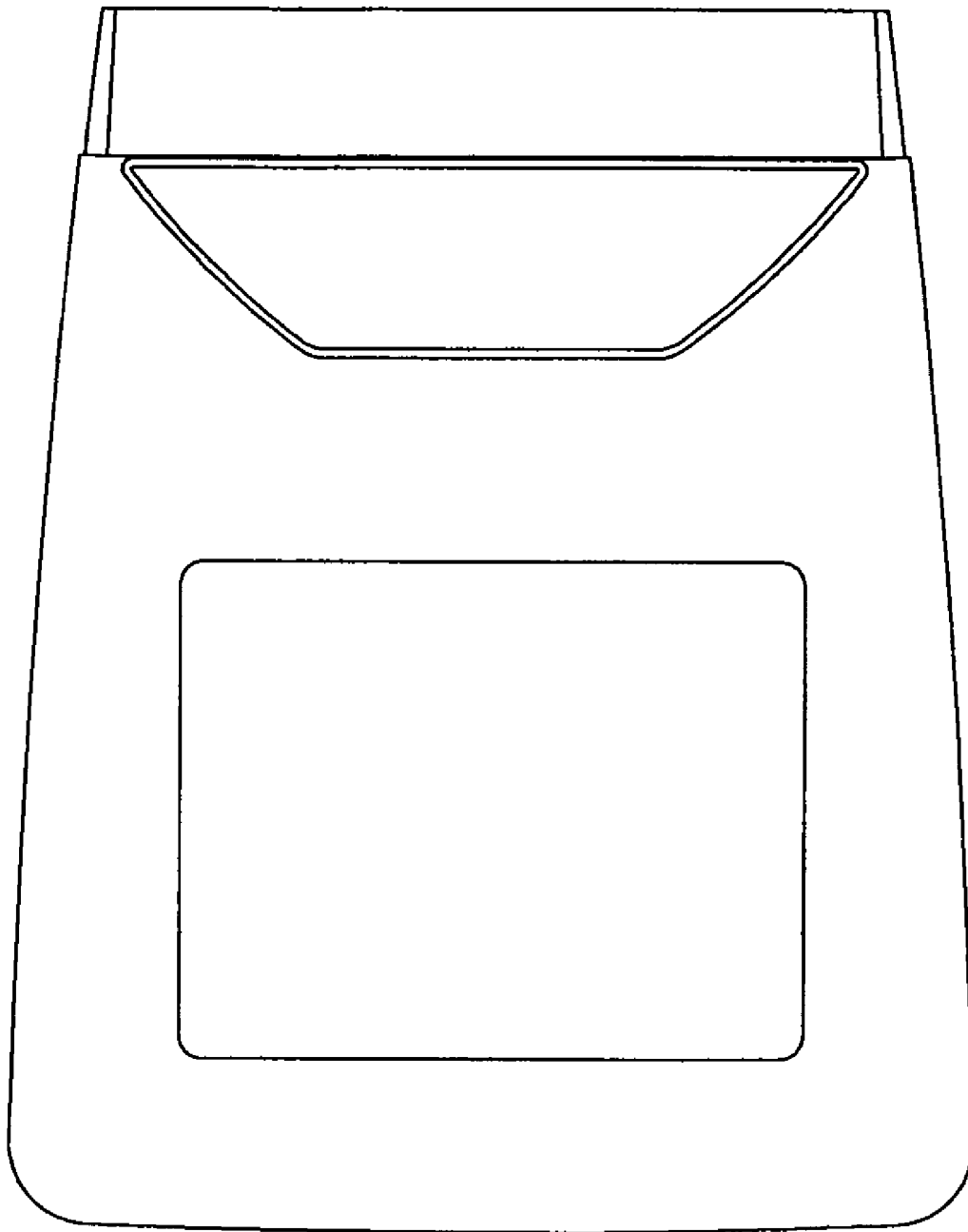


Fig. 3

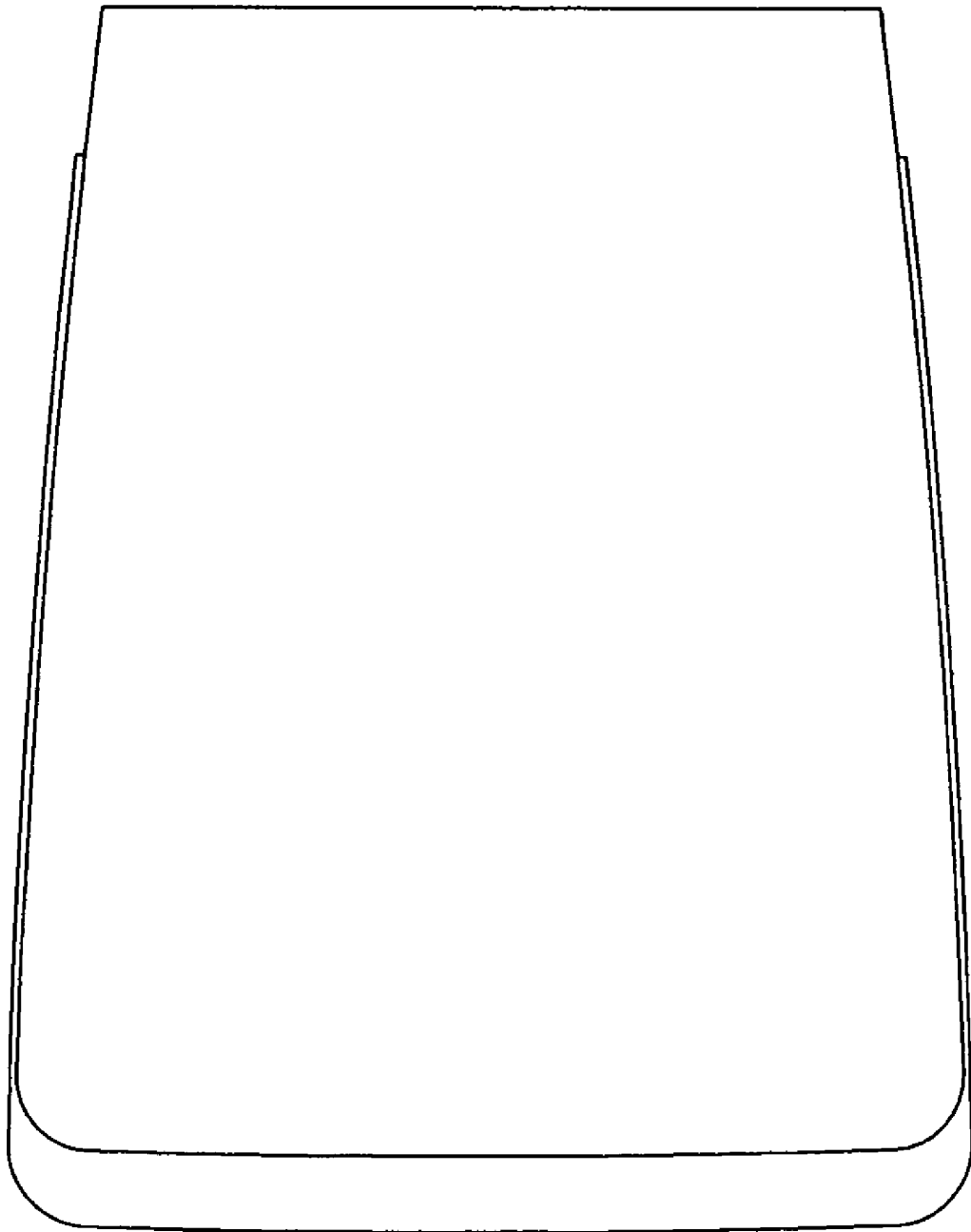


Fig. 4

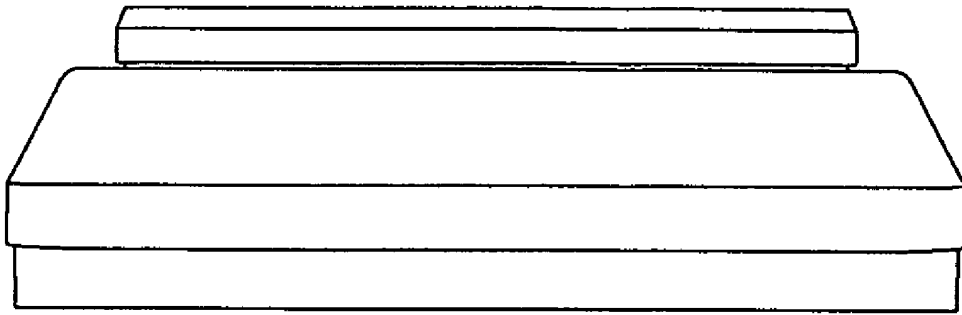


Fig. 5

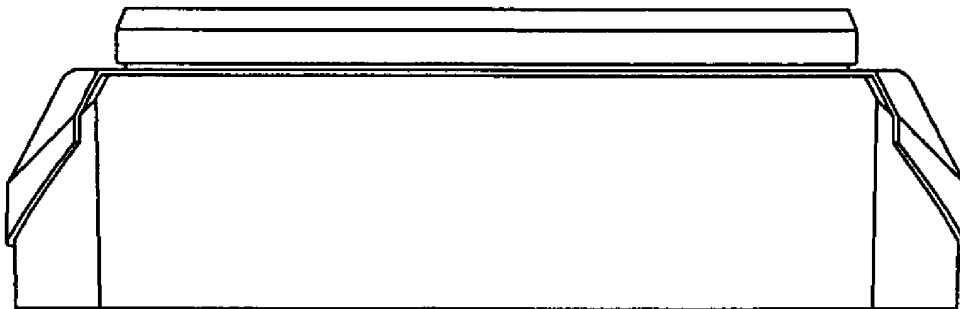


Fig. 6

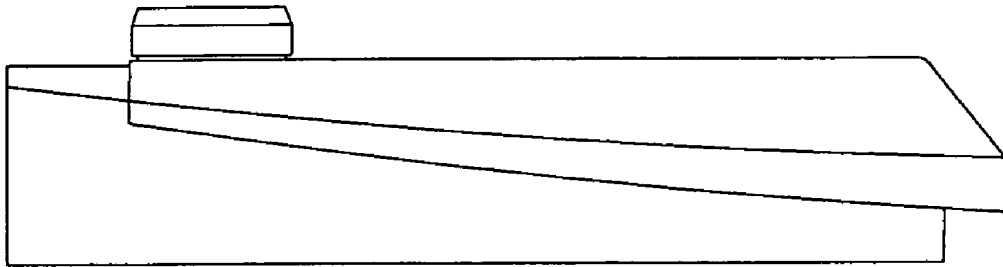


Fig. 7

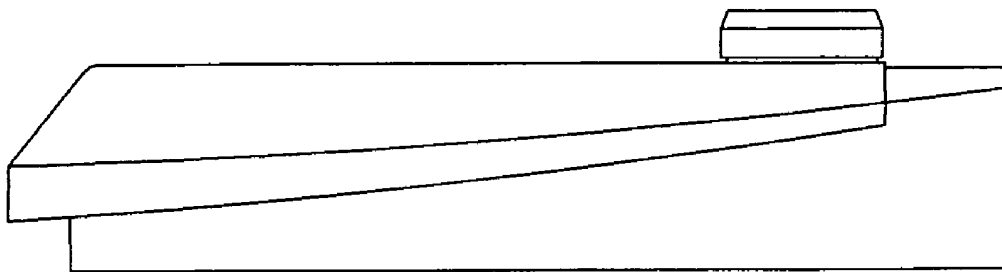


Fig. 8