



US00D553892S

(12) **United States Design Patent**
Lior

(10) **Patent No.:** **US D553,892 S**

(45) **Date of Patent:** **** Oct. 30, 2007**

(54) **BOOKSHELF WITH COVER HOLDING LEDGE**

(75) Inventor: **Miron Lior**, Brooklyn, NY (US)

(73) Assignee: **Umbra LLC**, Buffalo, NY (US)

(**) Term: **14 Years**

(21) Appl. No.: **29/265,714**

(22) Filed: **Sep. 7, 2006**

(51) **LOC (8) Cl.** **06-04**

(52) **U.S. Cl.** **D6/574**

(58) **Field of Classification Search** D6/552,
D6/553, 567, 574; D23/241; 108/151-152;
211/13.1, 134, 32, 35, 49.1, 75, 87.01, 88.01,
211/90.01

See application file for complete search history.

(56) **References Cited**

U.S. PATENT DOCUMENTS

D23,038 S	2/1894	Wagandt
D24,378 S	6/1895	Wanderer
993,753 A	5/1911	Caspar
1,353,898 A	9/1920	Decker et al.
D164,744 S	10/1951	Thomson
4,013,253 A	3/1977	Perrault et al.
D304,888 S	12/1989	Korpjaako
D312,185 S	11/1990	Prater, Sr.
5,178,353 A	1/1993	Huxtable
D333,584 S	3/1993	Starr, IV
D340,596 S	10/1993	Sandy
D348,581 S	7/1994	Starr, IV

D359,643 S	6/1995	Langmade	
D393,556 S *	4/1998	Jordan	D6/574
D443,163 S *	6/2001	Welch	D6/574
D462,216 S	9/2002	Jablonski	
D489,927 S *	5/2004	Hoernig	D6/574
D495,172 S	8/2004	Brownfield et al.	
D512,867 S *	12/2005	Gates et al.	D6/574

* cited by examiner

Primary Examiner—Brian N Vinson

(74) *Attorney, Agent, or Firm*—Simpson & Simpson, PLLC

(57) **CLAIM**

The ornamental design for a bookshelf with a cover holding ledge, as shown and described.

DESCRIPTION

FIG. 1 is a perspective view of the invention;

FIG. 2 is a top plan view of the invention shown in FIG. 1;

FIG. 3 is a front elevational view of the invention shown in FIG. 1;

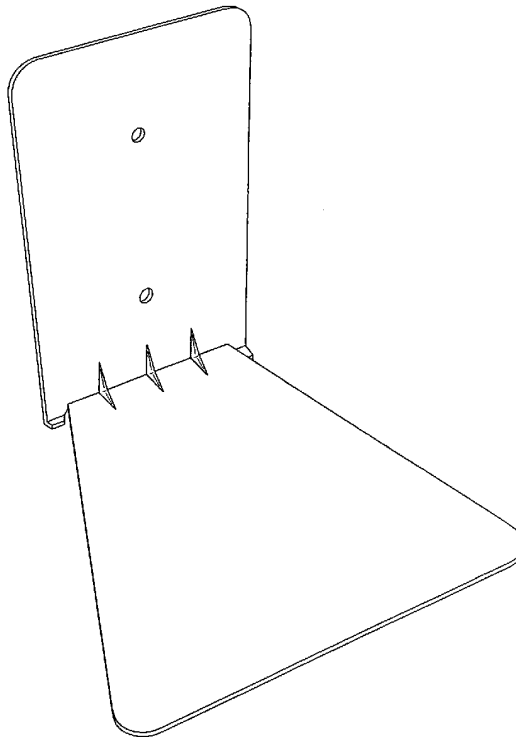
FIG. 4 is a right side elevational view of the invention shown in FIG. 1;

FIG. 5 is a left side elevational view of the invention shown in FIG. 1;

FIG. 6 is a bottom plan view of the invention shown in FIG. 1; and,

FIG. 7 is a rear elevation view of the invention shown in FIG. 1.

1 Claim, 4 Drawing Sheets



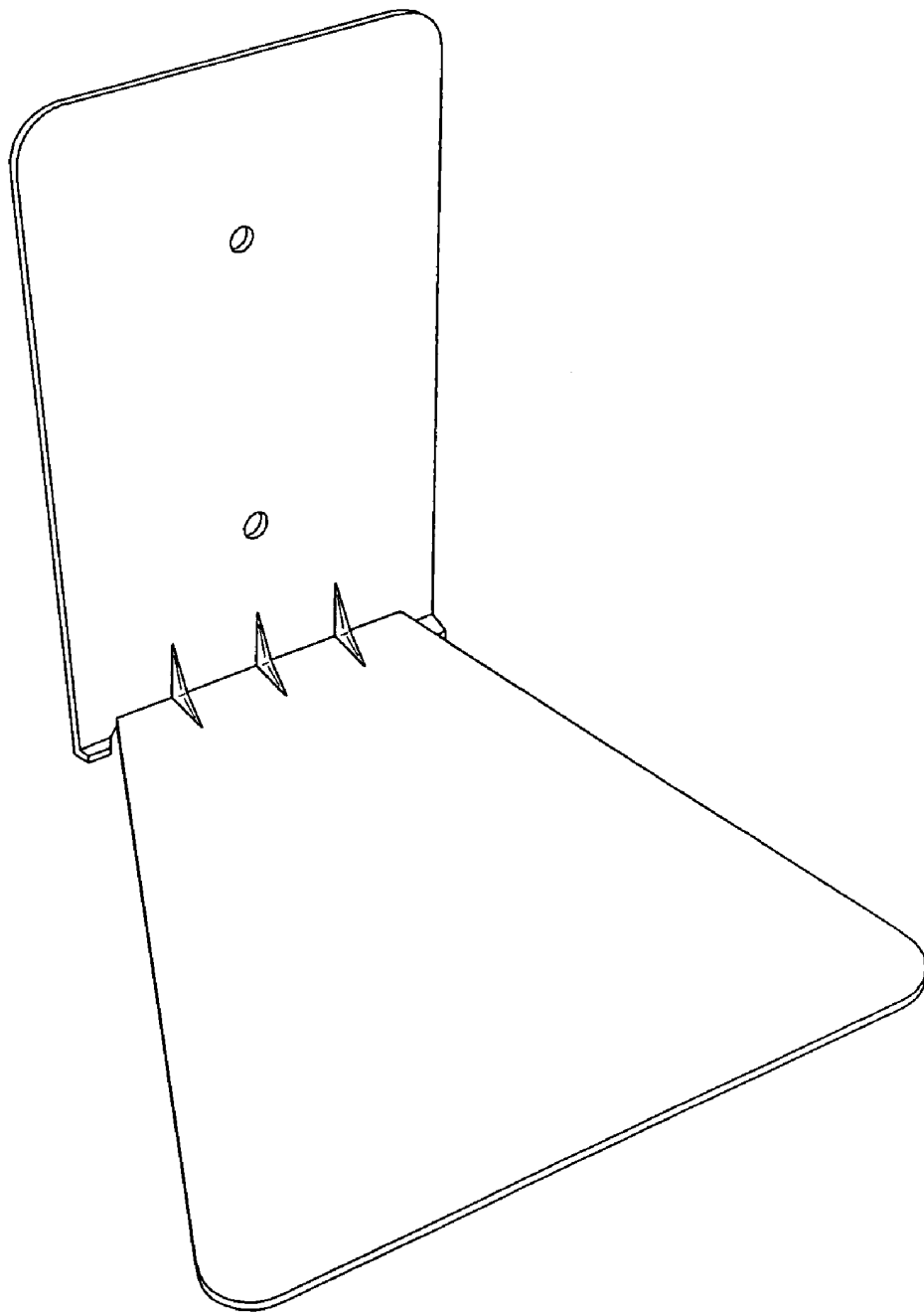


FIG. 1

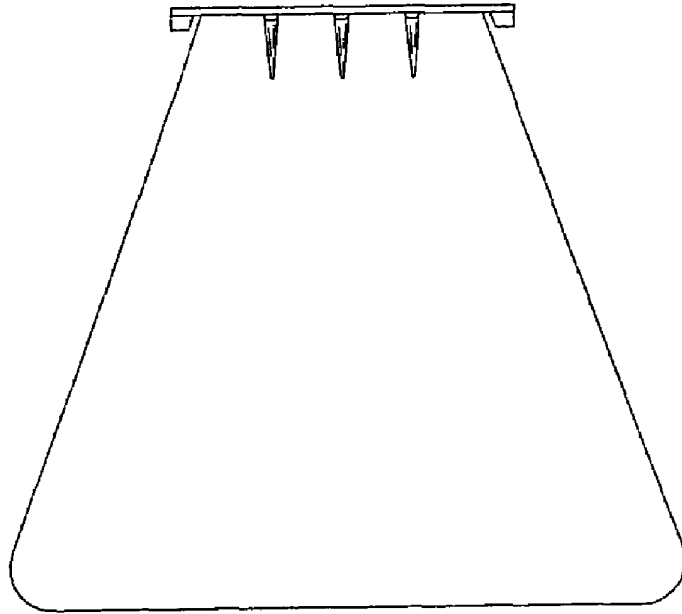


FIG. 2

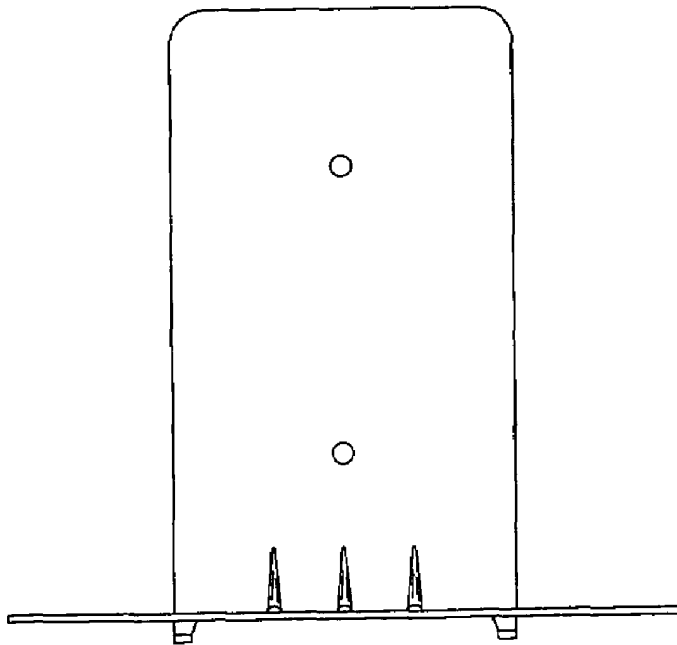


FIG. 3

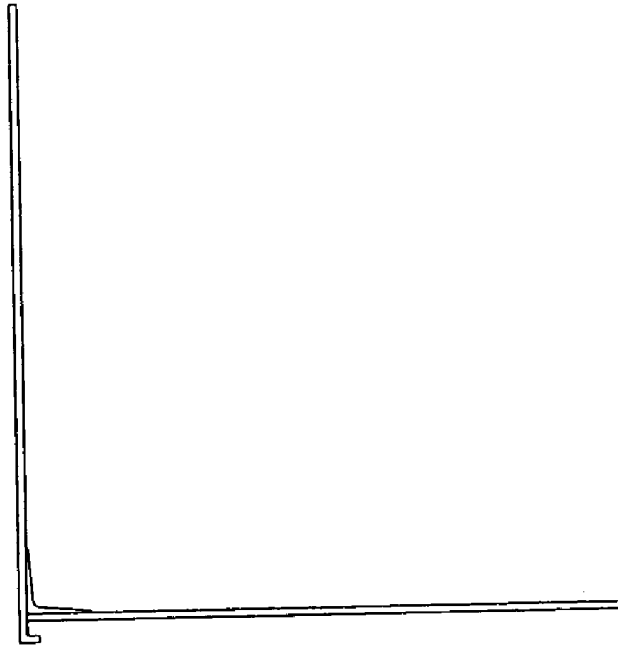


FIG. 4

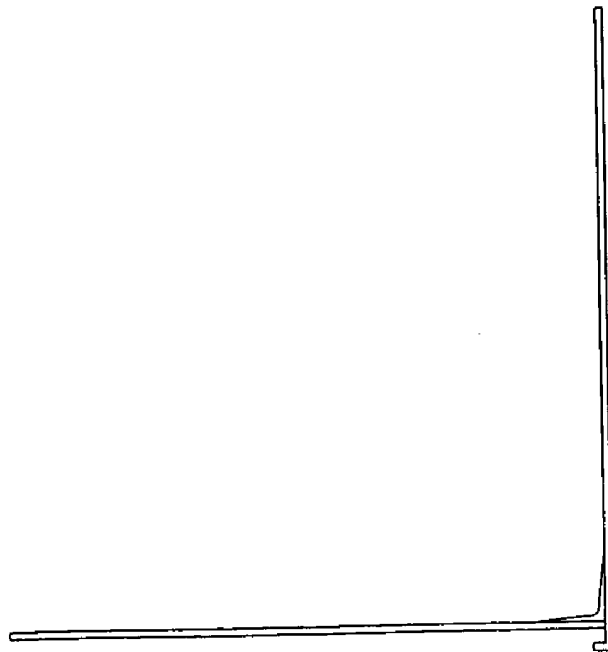


FIG. 5

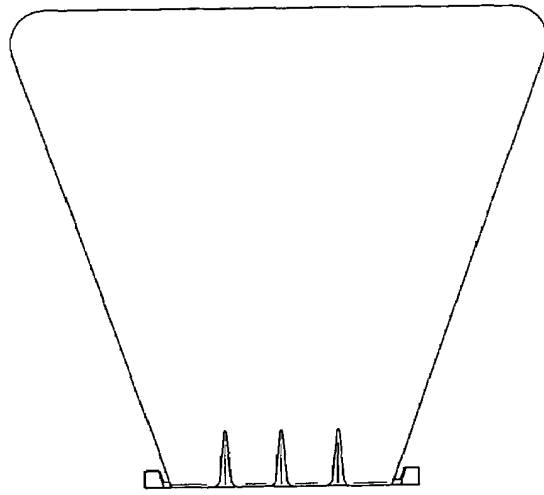


FIG. 6

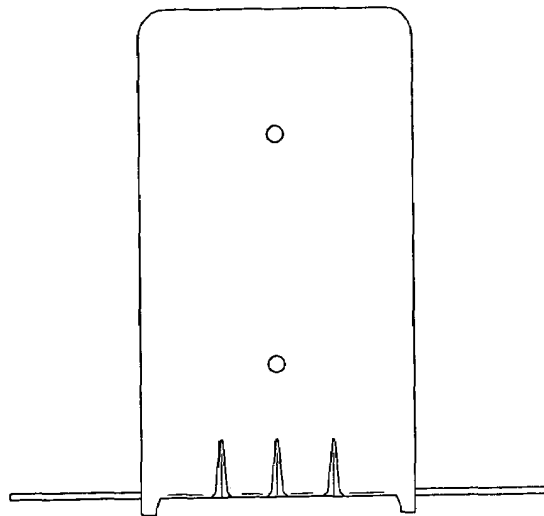


FIG. 7