



US00D589652S

(12) **United States Design Patent**  
**Nip**

(10) **Patent No.:** **US D589,652 S**

(45) **Date of Patent:** **\*\* Mar. 31, 2009**

(54) **STACKABLE STORAGE DEVICE**

(75) Inventor: **Jason Nip**, Toronto (CA)

(73) Assignee: **Umbra LLC**, Buffalo, NY (US)

(\*\*) Term: **14 Years**

(21) Appl. No.: **29/294,525**

(22) Filed: **Jan. 15, 2008**

(51) **LOC (9) Cl.** ..... **28-03**

(52) **U.S. Cl.** ..... **D28/73; D7/601**

(58) **Field of Classification Search** ..... D7/601,  
D7/701, 707, 708, 550.1, 552.2, 554.1, 554.2,  
D7/584-587; D28/73, 99; D6/449, 574,  
D6/406.2; 211/13.1, 163, 70.7, 71.01, 128.1,  
211/131.1; 206/509, 310

See application file for complete search history.

(56) **References Cited**

**U.S. PATENT DOCUMENTS**

245,855 A	8/1881	Morrison	
1,804,912 A	5/1931	Anton	
D147,482 S	9/1947	Winterfeld	
2,582,421 A	1/1952	Essman	
D184,963 S	4/1959	Roesch	
2,883,066 A	4/1959	Pratt	
3,188,157 A	6/1965	Rand	
3,498,471 A *	3/1970	Dirx	211/131.1
3,782,296 A *	1/1974	Moretini	211/128.1
D267,153 S *	12/1982	Lebowitz	D19/77
D310,144 S	8/1990	Mencis et al.	
5,458,243 A	10/1995	McBride	

D369,522 S *	5/1996	Casey	D7/590
D373,708 S *	9/1996	Hamilton et al.	D7/552.2
D422,443 S *	4/2000	De Limur	D6/574
6,948,626 B1	9/2005	Duncan	
2006/0260962 A1	11/2006	Dickens	

\* cited by examiner

*Primary Examiner*—Terry A Wallace

(74) *Attorney, Agent, or Firm*—Simpson & Simpson, PLLC

(57) **CLAIM**

The ornamental design for a stackable storage device, as shown and described.

**DESCRIPTION**

FIG. 1 is a perspective view of a stackable storage device of the present invention;

FIG. 2 is a left side elevational view of the stackable storage device;

FIG. 3 is a right side elevational view of the stackable storage device;

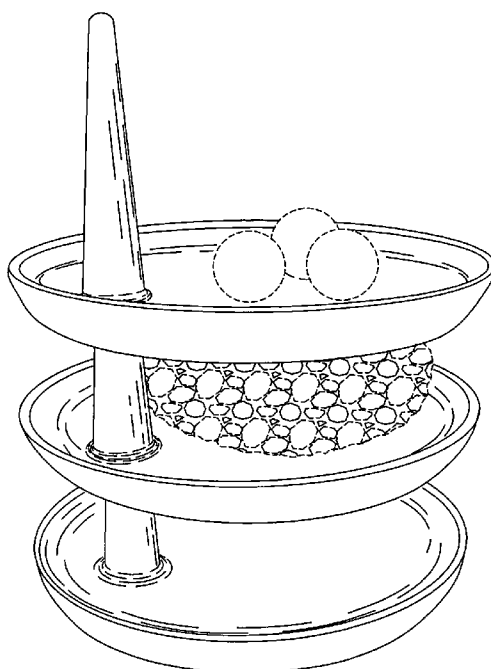
FIG. 4 is a front elevational view of the stackable storage device;

FIG. 5 is a back elevational view of the stackable storage device;

FIG. 6 is a top plan view of the stackable storage device; and,  
FIG. 7 is a bottom plan view of the stackable storage device.

The broken line showing of a sponge and a plurality of bath oil beads disposed upon the trays in FIG. 1 is for illustrative purposes only and forms no part of the claimed invention.

**1 Claim, 7 Drawing Sheets**



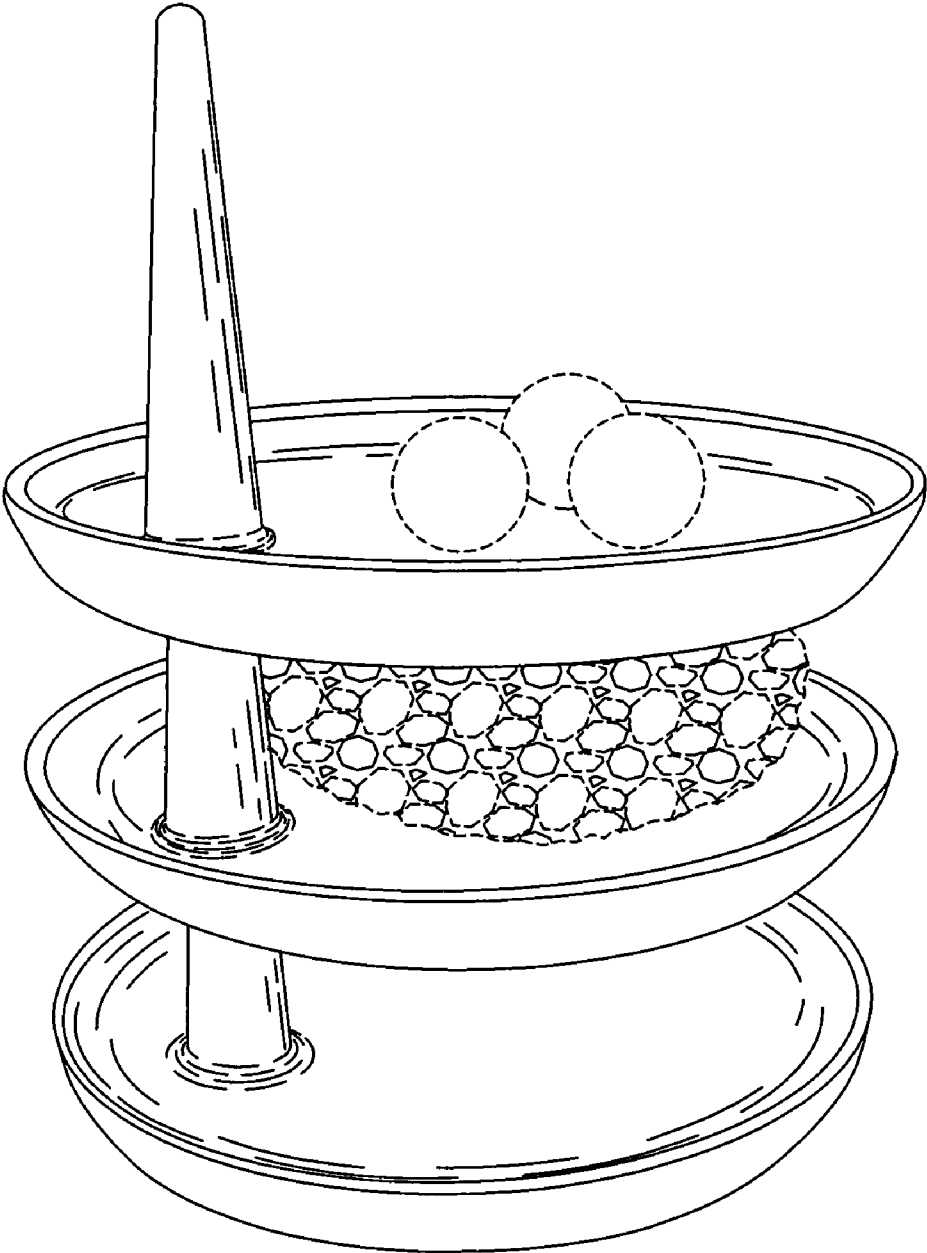


Fig. 1

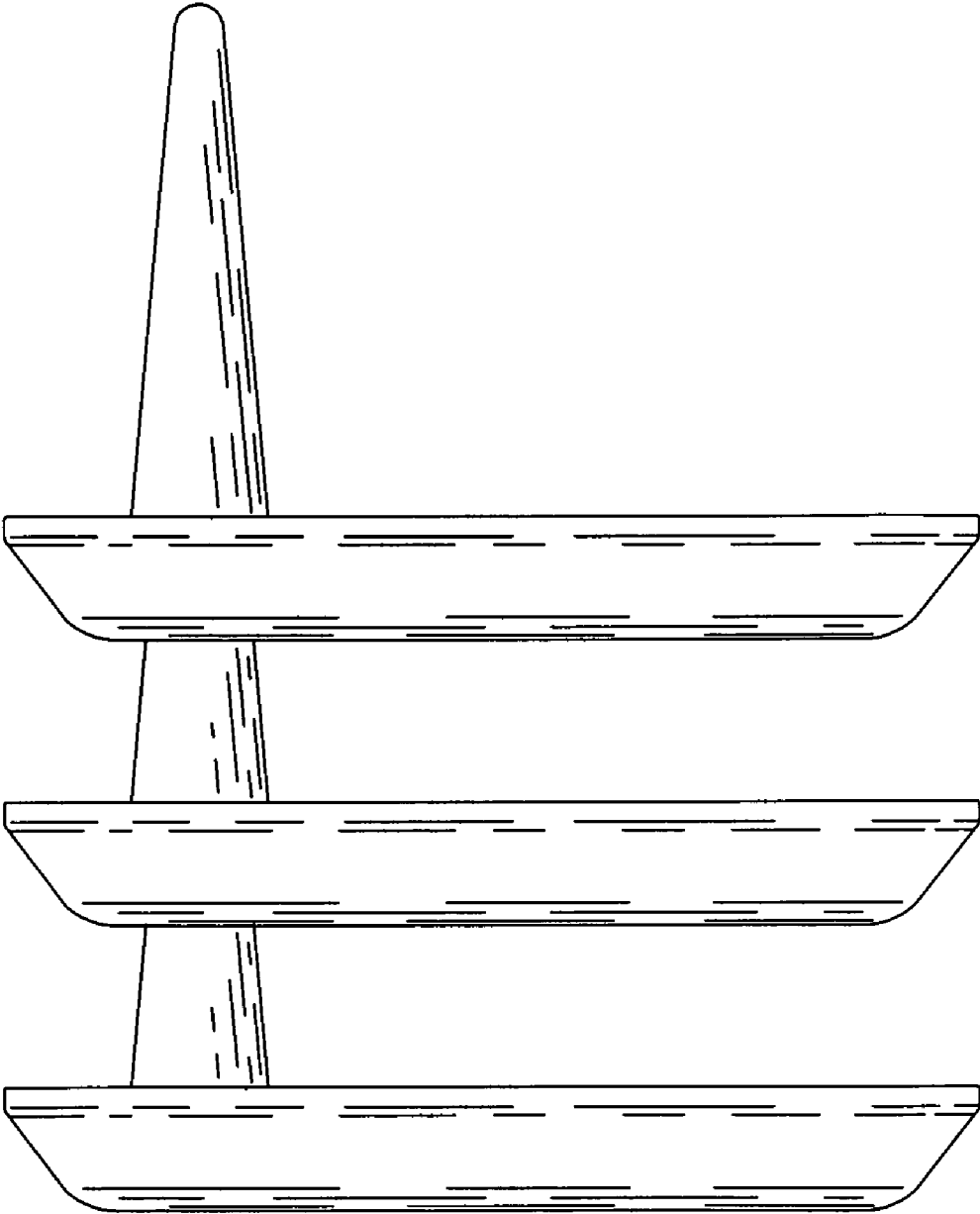


Fig. 2

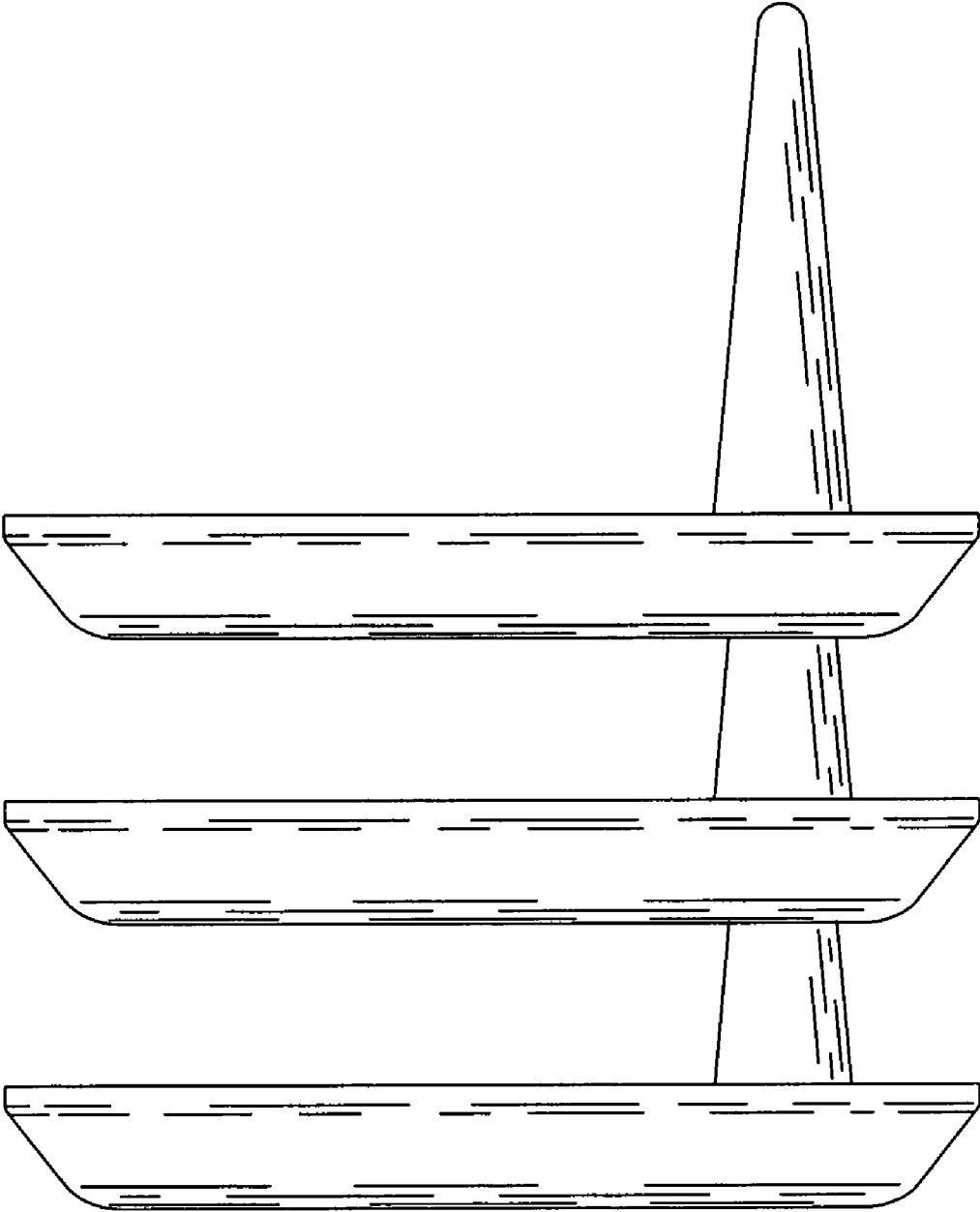


Fig. 3

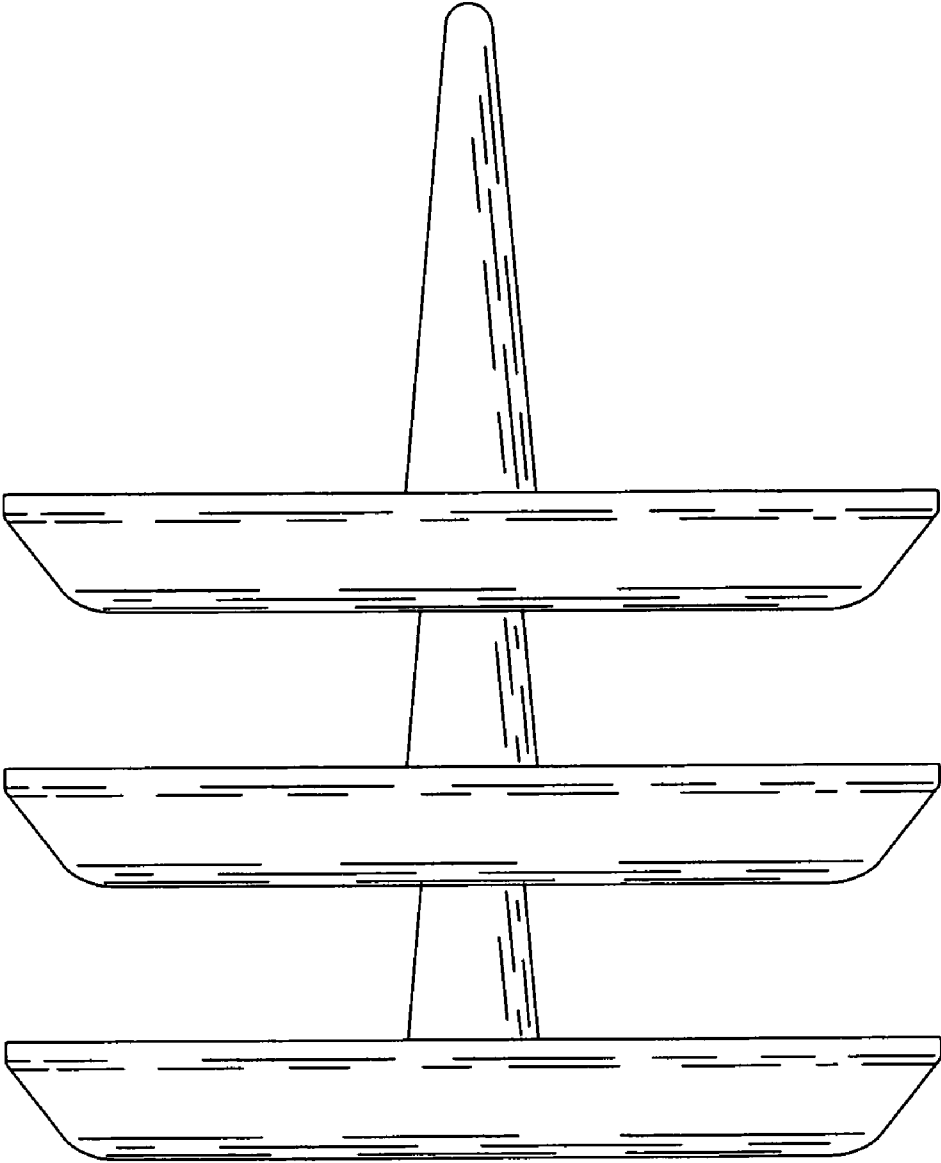


Fig. 4

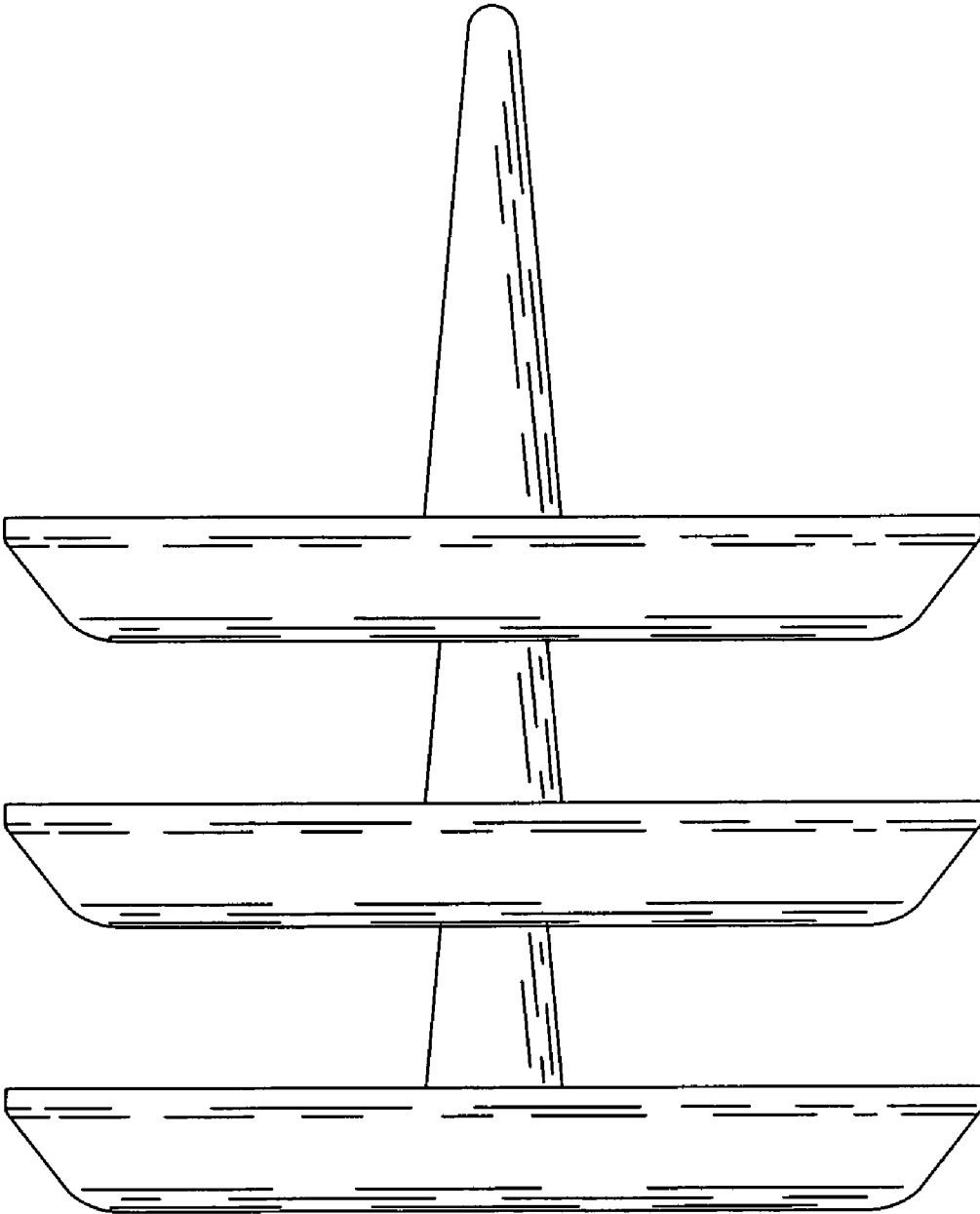


Fig. 5

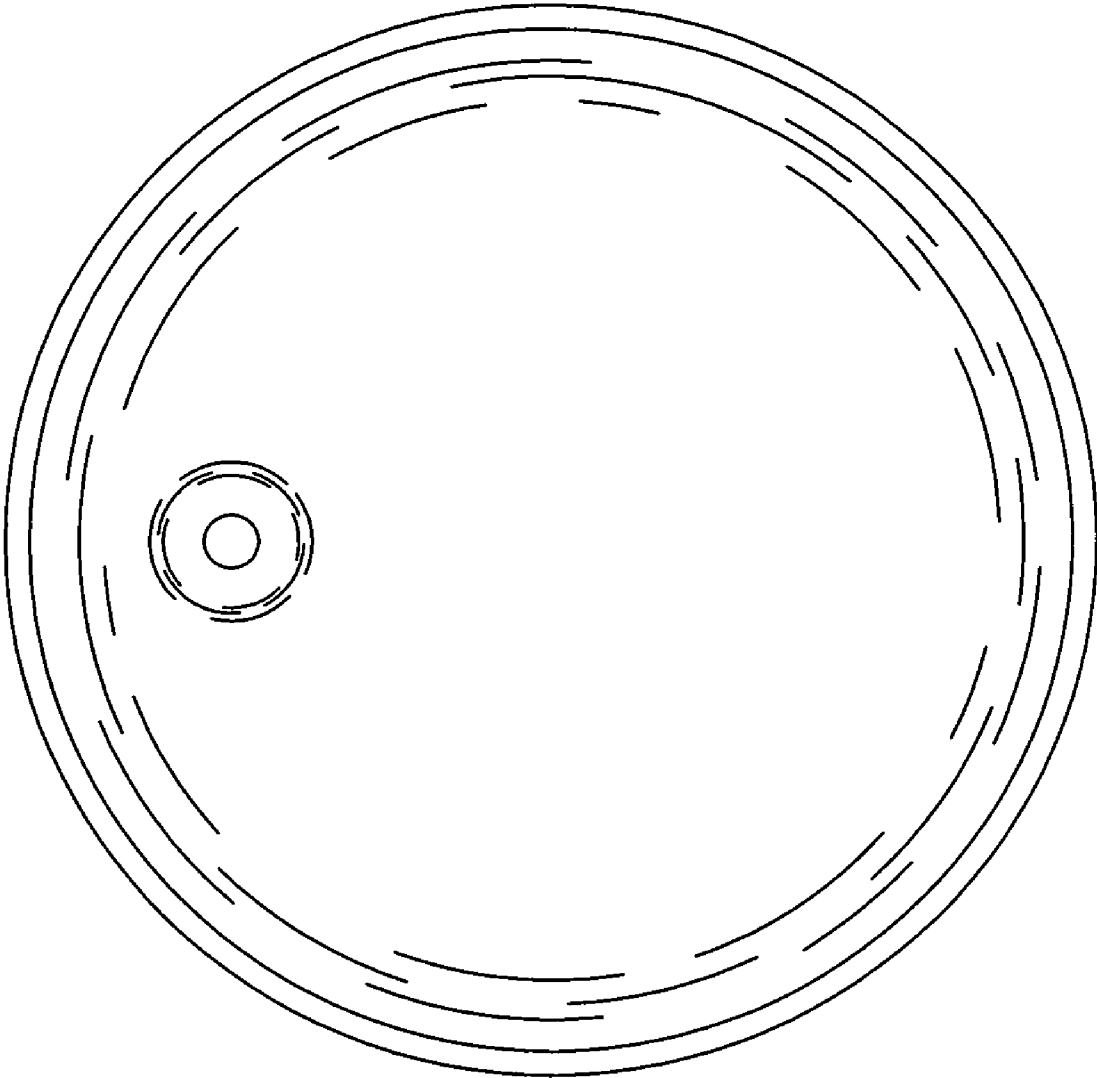


Fig. 6

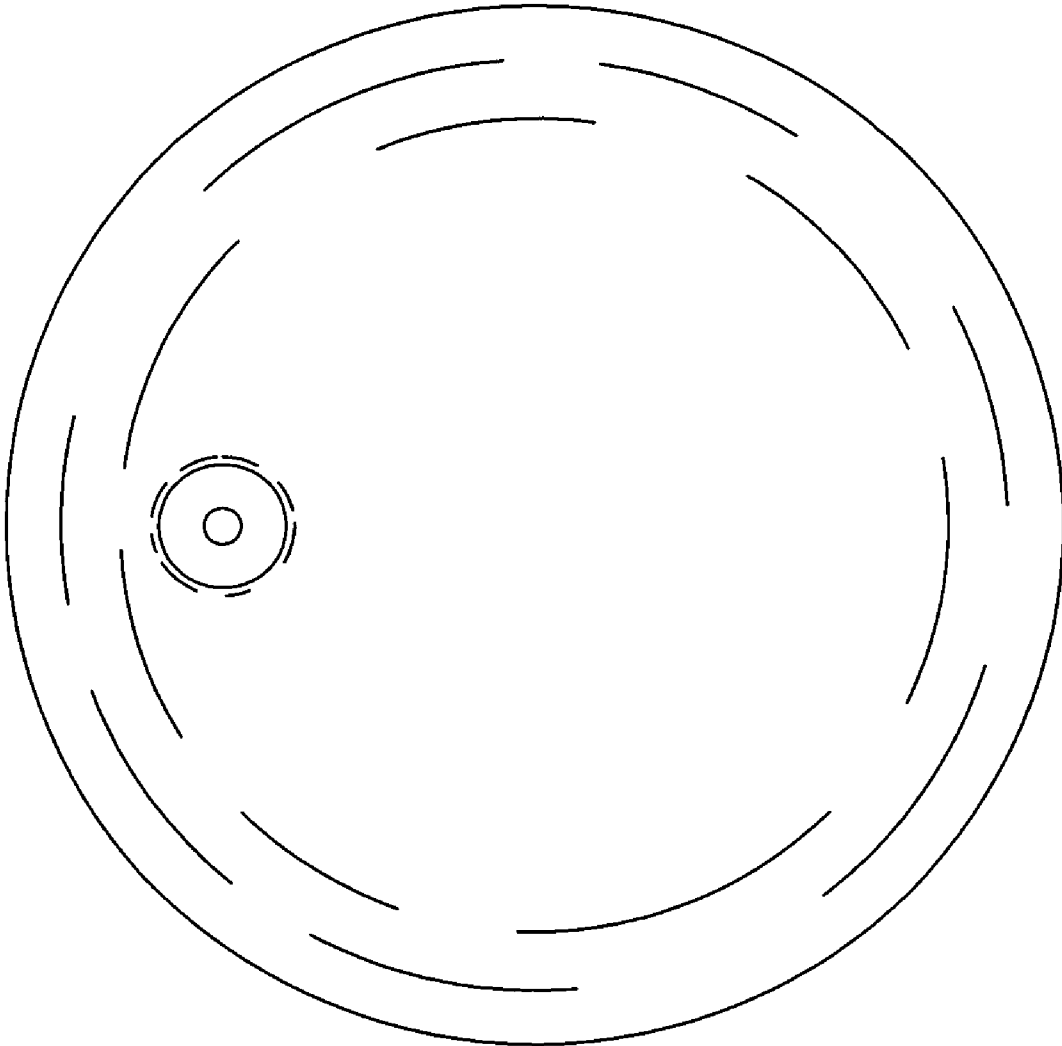


Fig. 7