



US00D602265S

(12) **United States Design Patent**
Cruz

(10) **Patent No.:** **US D602,265 S**
(45) **Date of Patent:** **** Oct. 20, 2009**

- (54) **PHOTO DISPLAY DEVICE**
- (75) Inventor: **Seymer Cruz**, Unionville (CA)
- (73) Assignee: **Umbra LLC**, Buffalo, NY (US)
- (**) Term: **14 Years**
- (21) Appl. No.: **29/313,367**
- (22) Filed: **Dec. 30, 2008**

5,713,147	A	2/1998	Johnson	
5,811,159	A	9/1998	Chang	
6,029,383	A	2/2000	Zappitelli	
6,256,914	B1	7/2001	Yeh	
6,438,878	B1	8/2002	Fine et al.	
D475,930	S *	6/2003	Chang	D10/1
6,592,706	B1	7/2003	Malherbe de Juvigny	
D494,716	S *	8/2004	Chang	D30/160

- (51) **LOC (9) Cl.** **06-07**
 - (52) **U.S. Cl.** **D6/314; D6/309**
 - (58) **Field of Classification Search** D6/471,
D6/309, 455, 314, 300; D11/121; 428/11;
473/601; D10/1; D30/160; 40/327, 661,
40/771, 728, 737, 734
- See application file for complete search history.

FOREIGN PATENT DOCUMENTS

DE 10020186 10/2001

* cited by examiner

Primary Examiner—Caron Veynar
Assistant Examiner—Sydney R Buffalow
(74) *Attorney, Agent, or Firm*—Simpson & Simpson, PLLC

(56) **References Cited**

U.S. PATENT DOCUMENTS

D52,558	S *	10/1918	Buchenau	D6/471
D59,181	S *	10/1921	Buchenau	D6/471
D158,699	S *	5/1950	Wasilevich	D6/455
D213,150	S *	1/1969	McBain	D8/455
D219,895	S *	2/1971	Loewy	D6/455
D220,146	S *	3/1971	Loewy	D6/455
3,694,648	A	9/1972	Yates	
3,802,104	A	4/1974	Wiley	
4,116,439	A *	9/1978	Chavarria et al.	473/52
4,173,667	A	11/1979	Rusch	
4,180,930	A	1/1980	DiMatteo	
4,224,364	A	9/1980	Hunt	
D266,749	S *	11/1982	Sun	D11/121
4,592,936	A	6/1986	Ferguson	
4,889,748	A *	12/1989	Dudley	428/11
5,175,029	A	12/1992	Peterson	
5,226,252	A	7/1993	Haluska	
5,320,345	A *	6/1994	Lai et al.	473/601
D375,411	S *	11/1996	Hawkins	D6/314
5,649,874	A	7/1997	Headford et al.	
D384,824	S	10/1997	Johnson	
5,688,567	A	11/1997	Daulton	

(57) **CLAIM**

The ornamental design for a photo display device, as shown and described.

DESCRIPTION

FIG. 1 is a perspective view of the present invention photo display device;
FIG. 2 is a right side elevational view of the photo display device;
FIG. 3 is a front elevational view of the photo display device;
FIG. 4 is a bottom plan view of the photo display device; and,
FIG. 5 is a top plan view of the photo display device.

It should be appreciated that the left side elevational view of the photo display device, while not shown, is identical to the right side elevational view as shown in FIG. 2. Likewise, the back elevational view of the photo display device, while not shown, is identical to the front elevational view as shown in FIG. 3. The broken line illustrations of a string and two apertures arranged in the top of the photo display device, the picture of a woman, and the picture of a house shown in the figures are for illustrative purposes only and form no part of the claimed invention.

1 Claim, 3 Drawing Sheets

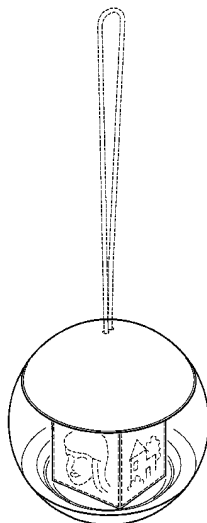


Fig. 1

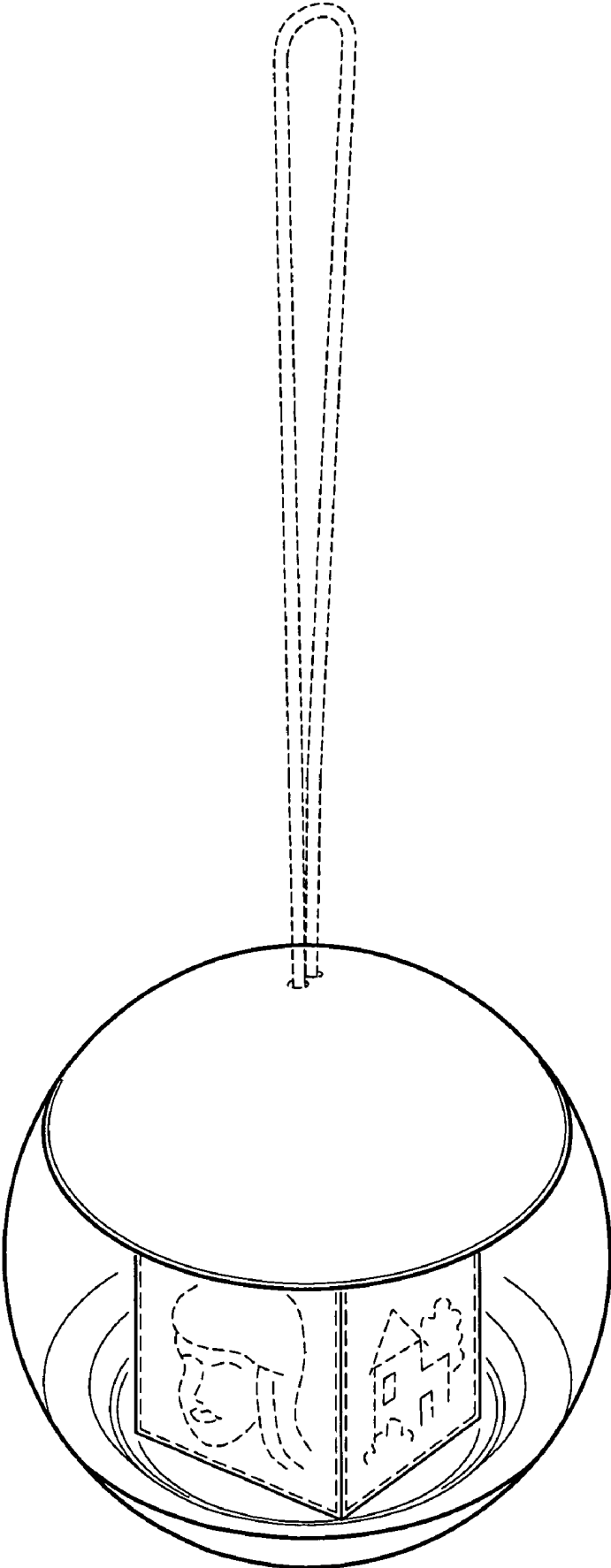


Fig. 2

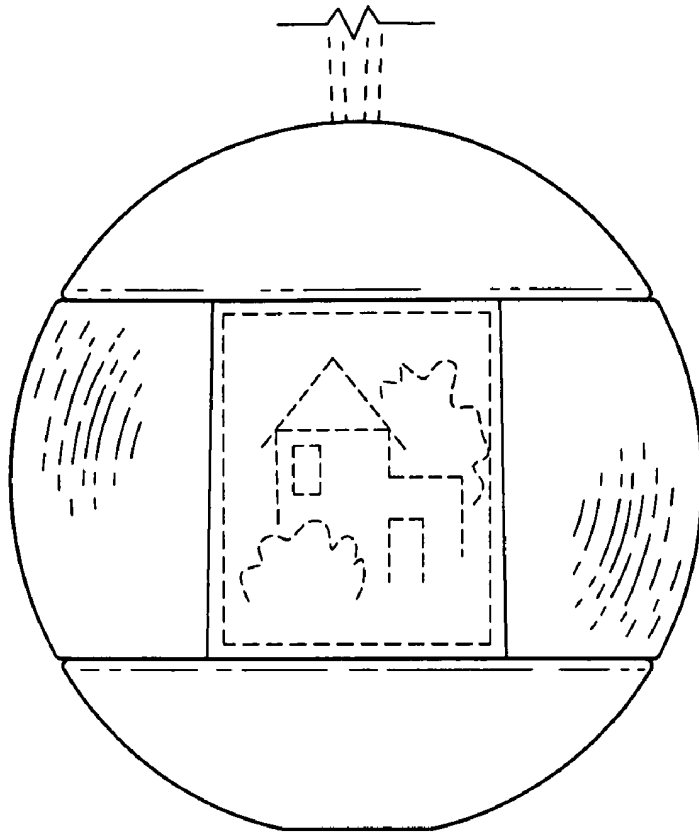


Fig. 3

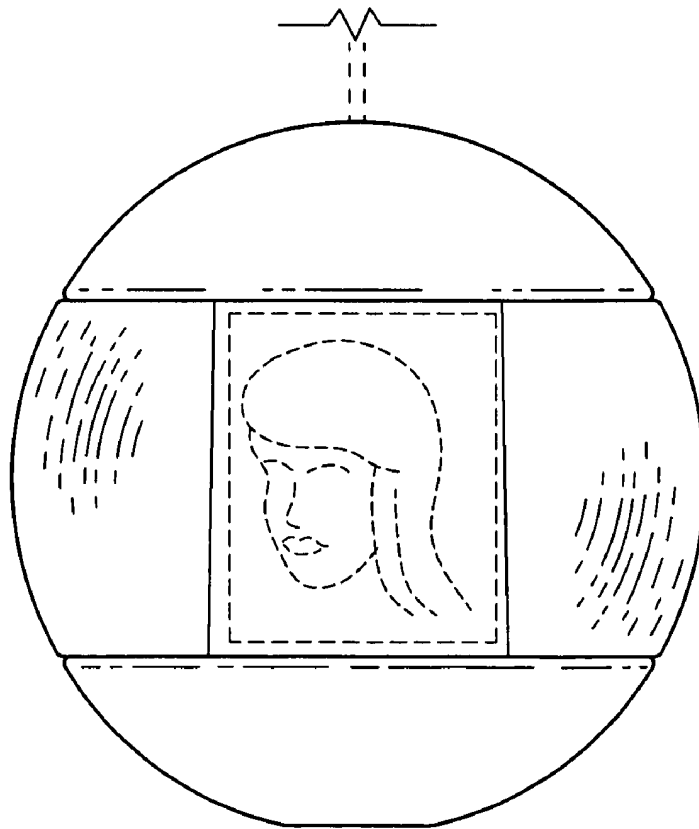


Fig. 4

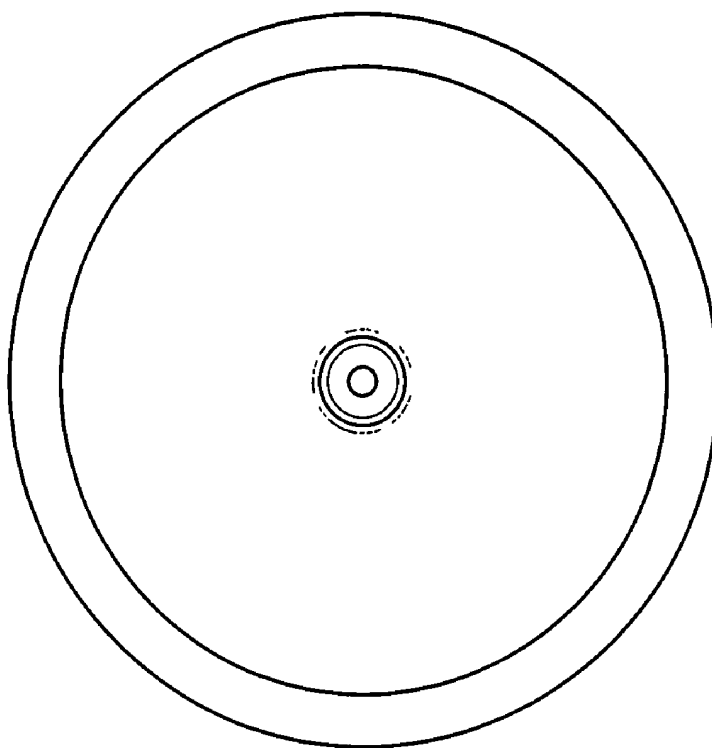


Fig. 5

