



US00D607254S

(12) **United States Design Patent**  
**Mak**

(10) **Patent No.:** **US D607,254 S**

(45) **Date of Patent:** **\*\* Jan. 5, 2010**

- (54) **WALL-MOUNTED ORGANIZER**
- (75) Inventor: **Chi Hang Mak**, Scarborough (CA)
- (73) Assignee: **Umbra LLC**, Buffalo, NY (US)
- (\*\*) Term: **14 Years**
- (21) Appl. No.: **29/336,133**
- (22) Filed: **Apr. 29, 2009**

D535,842 S \* 1/2007 Wood ..... D6/567  
 7,234,672 B1 6/2007 Osterholt et al.  
 D545,602 S 7/2007 Hurt  
 D545,603 S 7/2007 Hurt  
 D570,634 S 6/2008 Goodman et al.  
 D575,090 S 8/2008 Van Beuningen

\* cited by examiner

*Primary Examiner*—Brian N Vinson  
 (74) *Attorney, Agent, or Firm*—Simpson & Simpson, PLLC

- (51) **LOC (9) Cl.** ..... **06-04**
- (52) **U.S. Cl.** ..... **D6/553**
- (58) **Field of Classification Search** ..... D6/553,  
 D6/567; D19/65, 75, 77, 78, 86–91, 99–100;  
 211/10, 11, 13.1, 44–50, 119.005, 87.01,  
 211/88.01, 126.13, 126.16  
 See application file for complete search history.

(57) **CLAIM**

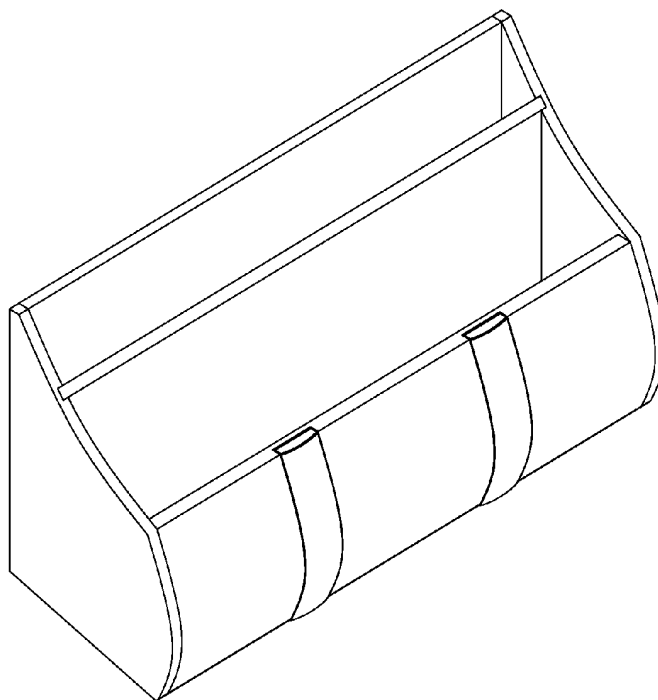
The ornamental design for a wall-mounted organizer, as shown and described herein.

**DESCRIPTION**

FIG. 1 is a perspective view of the present invention wall-mounted organizer;  
 FIG. 2 is a top plan view of the wall-mounted organizer;  
 FIG. 3 is a bottom plan view of the wall-mounted organizer;  
 FIG. 4 is a front elevational view of the wall-mounted organizer;  
 FIG. 5 is a back elevational view of the wall-mounted organizer;  
 FIG. 6 is a left side elevational view of the wall-mounted organizer; and,  
 FIG. 7 is a right side elevational view of the wall-mounted organizer;  
 The broken line illustrations of mounting brackets shown in FIGS. 2, 3, and 5–7 are for illustrative purposes only and form no part of the claimed invention.

- (56) **References Cited**
- U.S. PATENT DOCUMENTS
- D54,685 S 3/1920 Salomon
- 1,587,676 A 6/1926 Patterson
- 3,874,501 A 4/1975 Cronheim
- 4,893,770 A 1/1990 Bejak et al.
- 4,901,866 A 2/1990 Barella
- D331,855 S 12/1992 Kaplan
- D342,854 S 1/1994 Pentz
- D371,484 S 7/1996 Munoz
- D450,462 S 11/2001 Lazarz
- D459,130 S 6/2002 Annan
- D486,022 S \* 2/2004 Shamoon ..... D6/553
- D494,797 S \* 8/2004 Ramnauth et al. .... D6/553
- D496,817 S 10/2004 Martin
- D497,755 S \* 11/2004 Wood et al. .... D6/553

**1 Claim, 3 Drawing Sheets**



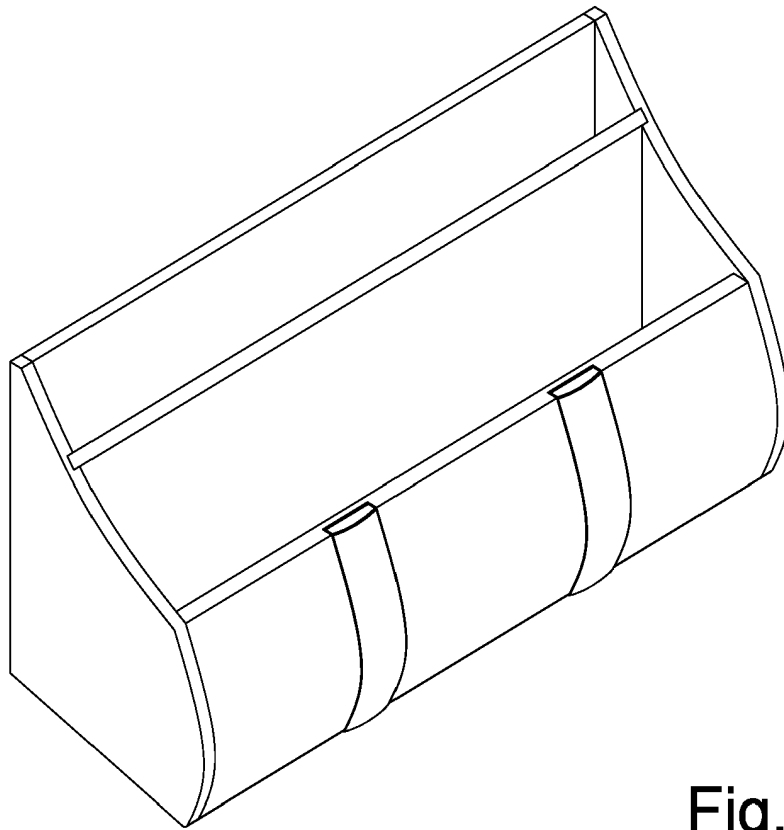


Fig. 1

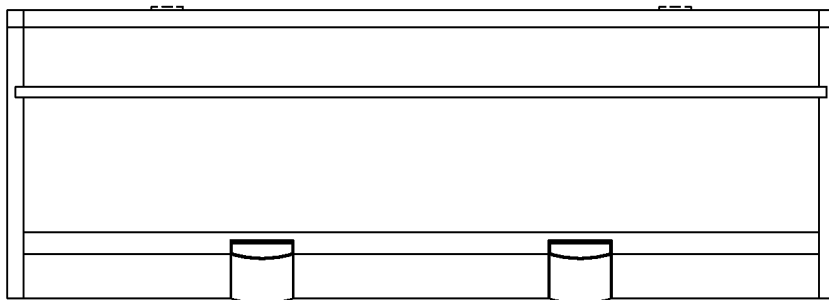


Fig. 2

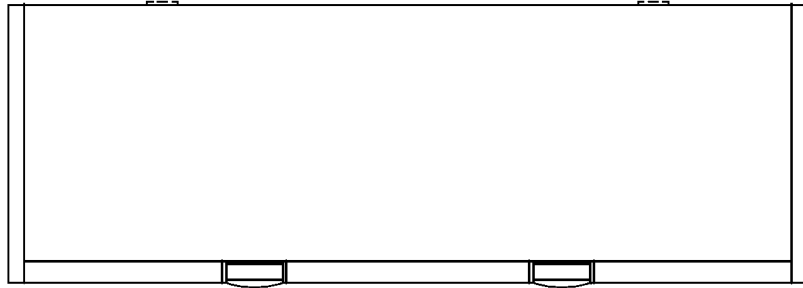


Fig. 3

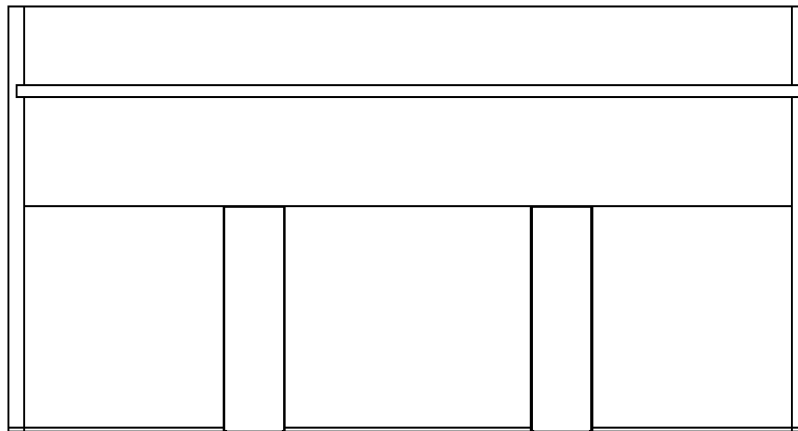


Fig. 4

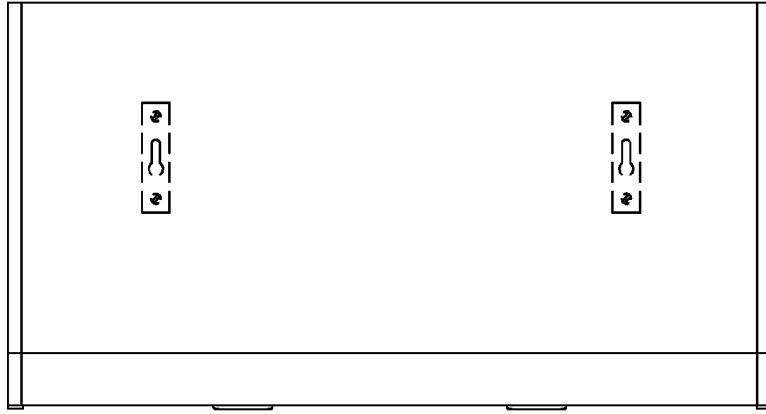


Fig. 5

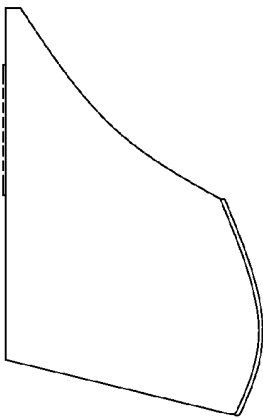


Fig. 6

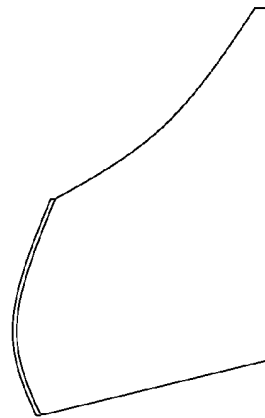


Fig. 7