



US00D610370S

(12) **United States Design Patent**  
**Quan**

(10) **Patent No.:** **US D610,370 S**

(45) **Date of Patent:** **\*\* Feb. 23, 2010**

- (54) **JEWELRY TREE**
- (75) Inventor: **David Shaw Quan**, Toronto (CA)
- (73) Assignee: **Umbra LLC**, Buffalo, NY (US)
- (\*\*) Term: **14 Years**
- (21) Appl. No.: **29/337,899**
- (22) Filed: **Jun. 1, 2009**

- D447,393 S 9/2001 Bodum
- D465,946 S 11/2002 Boyd, Jr.
- 6,854,609 B1 2/2005 Hettinger
- D545,080 S 6/2007 Massaud
- D566,990 S 4/2008 Cook
- D574,165 S 8/2008 Kornowski
- 7,451,882 B2 11/2008 McKay
- 2003/0192840 A1 10/2003 Hoyle et al.

\* cited by examiner

*Primary Examiner*—Philip S Hyder  
*Assistant Examiner*—Sydney R Buffalow  
(74) *Attorney, Agent, or Firm*—Simpson & Simpson, PLLC

- (51) **LOC (9) Cl.** ..... **06-04**
- (52) **U.S. Cl.** ..... **D6/455**
- (58) **Field of Classification Search** ..... D6/411,  
D6/450, 451, 458, 415, 453, 403, 457, 455,  
D6/496, 397, 413; 312/204; 211/13.1, 85.3,  
211/205, 34; 248/176.1; D24/128  
See application file for complete search history.

(57) **CLAIM**

The ornamental design for a jewelry tree, as shown and described.

(56) **References Cited**

U.S. PATENT DOCUMENTS

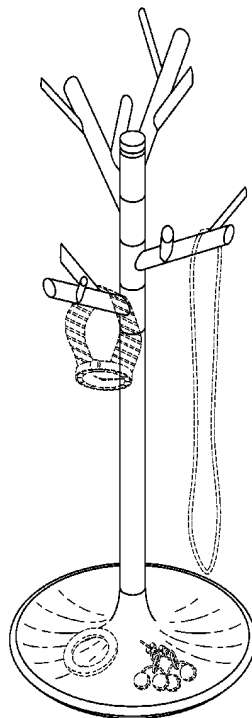
- D147,562 S \* 9/1947 Kirkpatrick ..... D6/411
- 3,357,570 A 12/1967 Hagle, Sr. et al.
- 3,421,762 A 1/1969 Paradise
- 3,997,050 A 12/1976 Patterson
- D263,653 S \* 4/1982 Viets ..... D6/397
- D276,962 S 1/1985 Moore
- D282,793 S \* 3/1986 Zombeck ..... D6/411
- 4,936,466 A 6/1990 Nava
- D326,964 S \* 6/1992 Kakuk et al. .... D6/412
- D332,311 S \* 1/1993 Redding ..... D24/128
- D334,855 S 4/1993 Harrington et al.
- D383,334 A 9/1997 Barden
- 6,095,346 A 8/2000 Idelberger

**DESCRIPTION**

- FIG. 1 is a perspective view of the present invention jewelry tree;
- FIG. 2 is a front elevational view of the jewelry tree;
- FIG. 3 is a back elevational view of the jewelry tree;
- FIG. 4 is a right side elevational view of the jewelry tree;
- FIG. 5 is a left side elevational view of the jewelry tree;
- FIG. 6 is a top plan view of the jewelry tree; and,
- FIG. 7 is a bottom plan view of the jewelry tree.

The broken lines are for the illustrative purposes only and form no part of the claimed design.

**1 Claim, 7 Drawing Sheets**



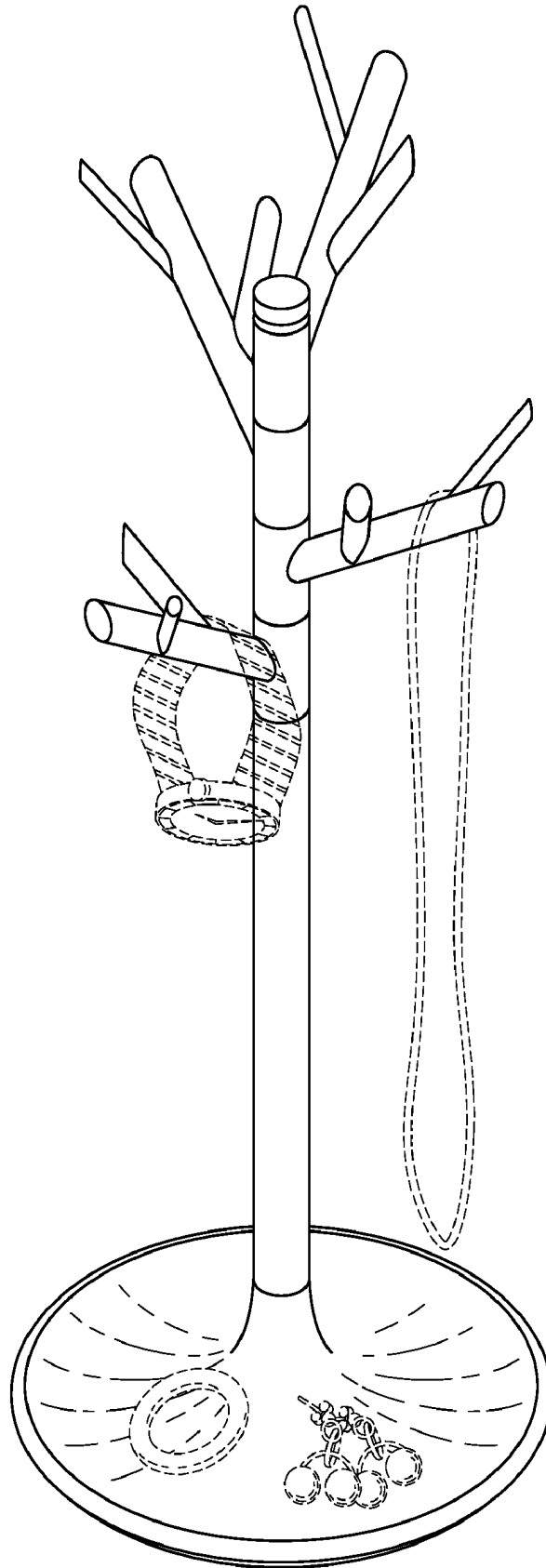


Fig. 1

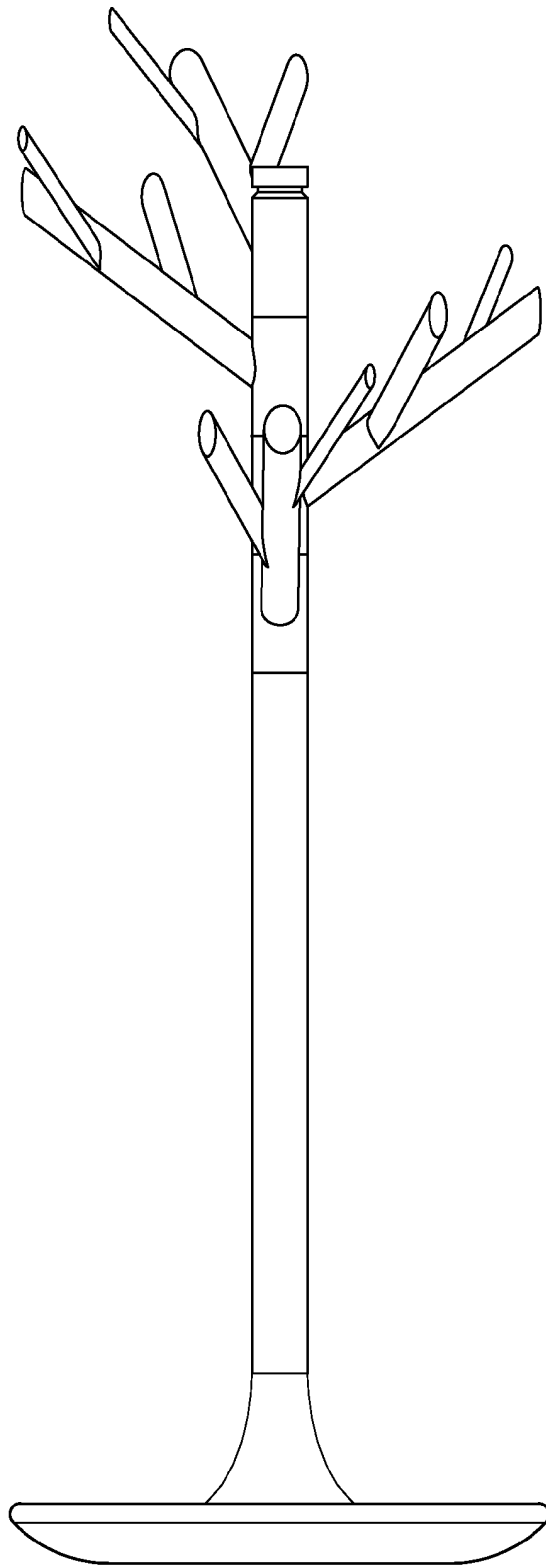


Fig. 2

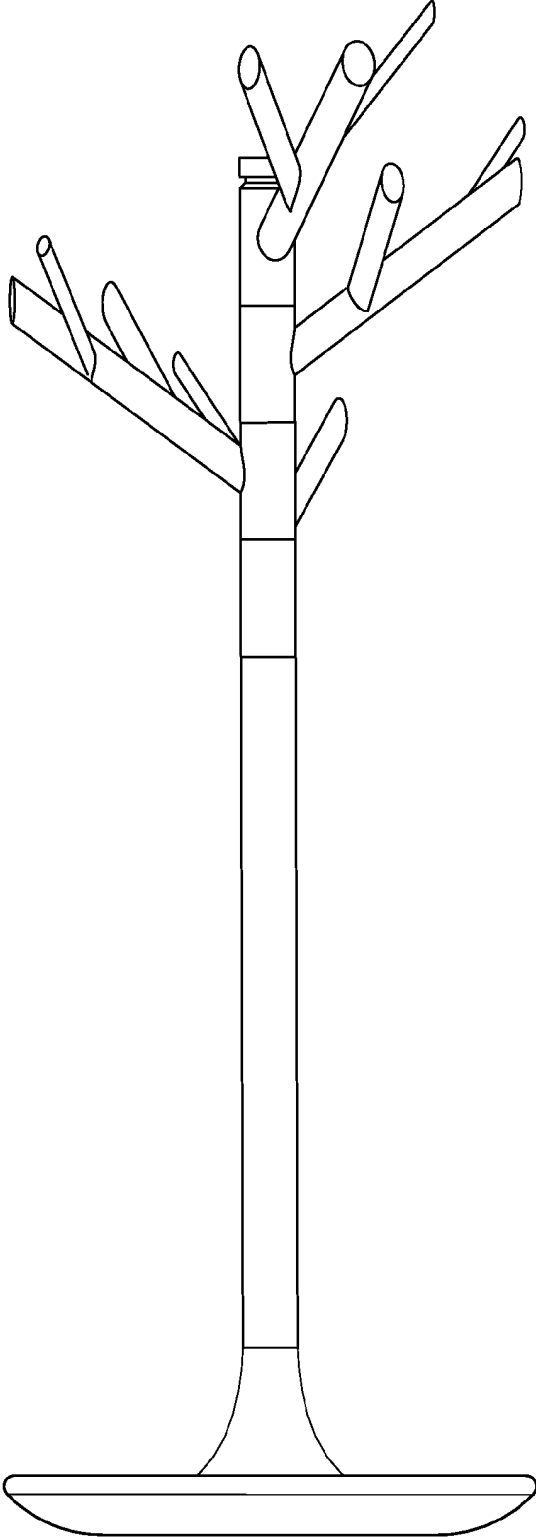


Fig. 3

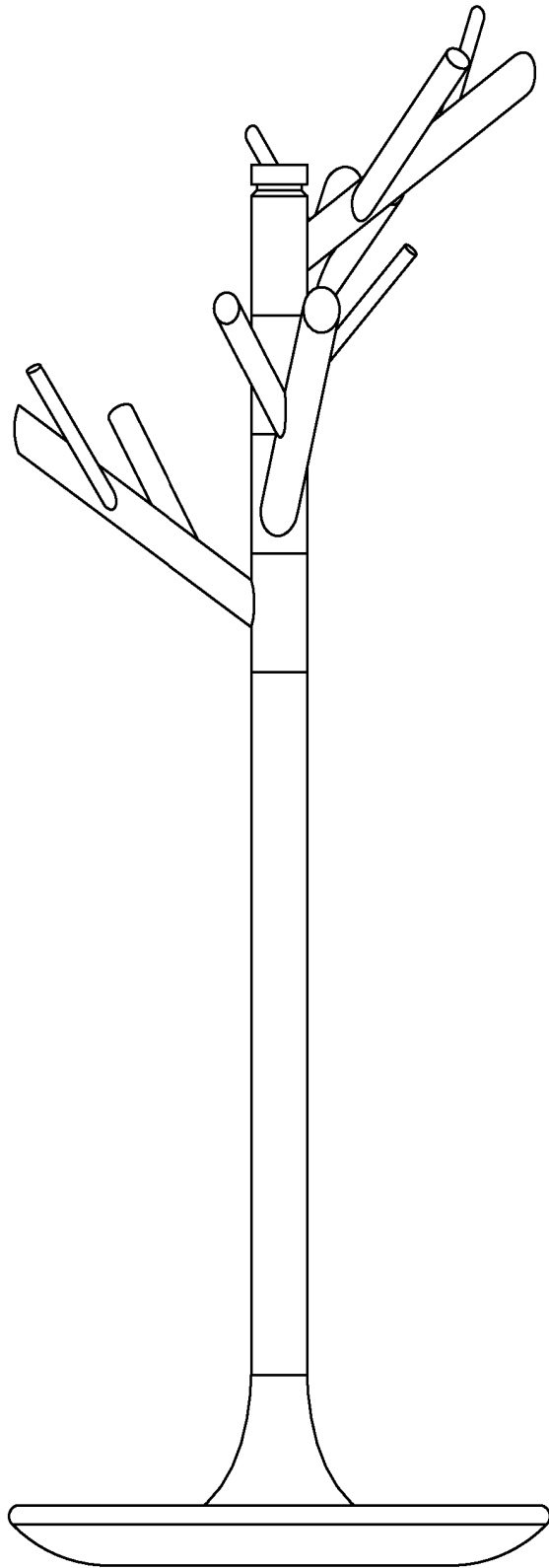


Fig. 4

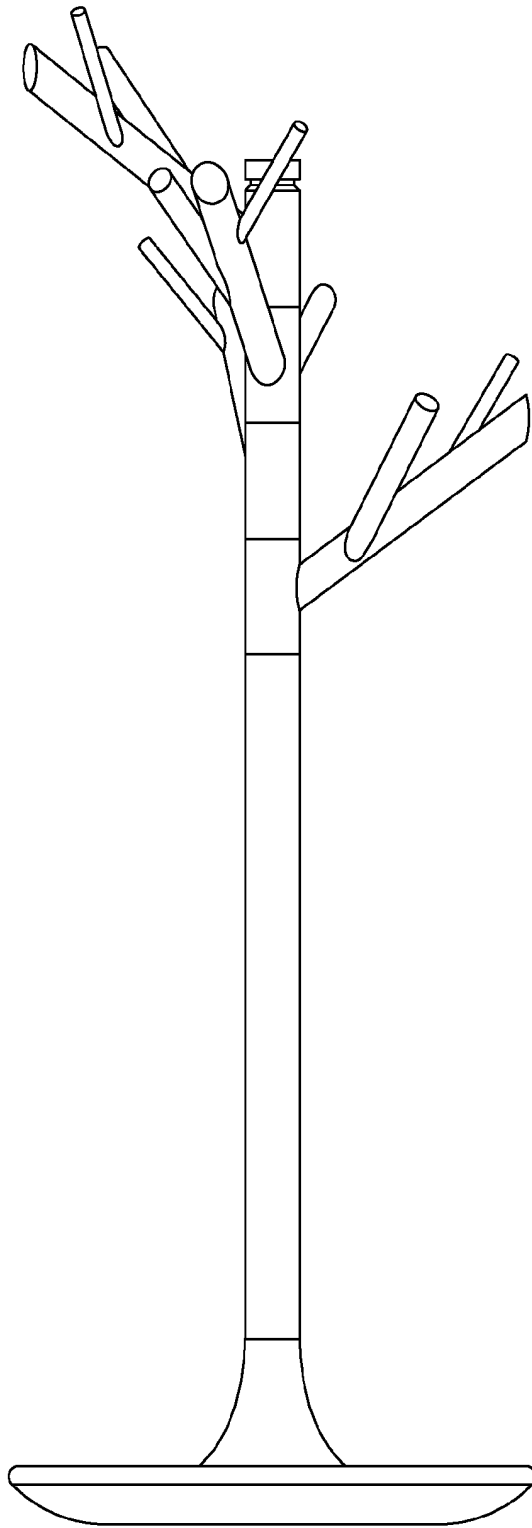


Fig. 5

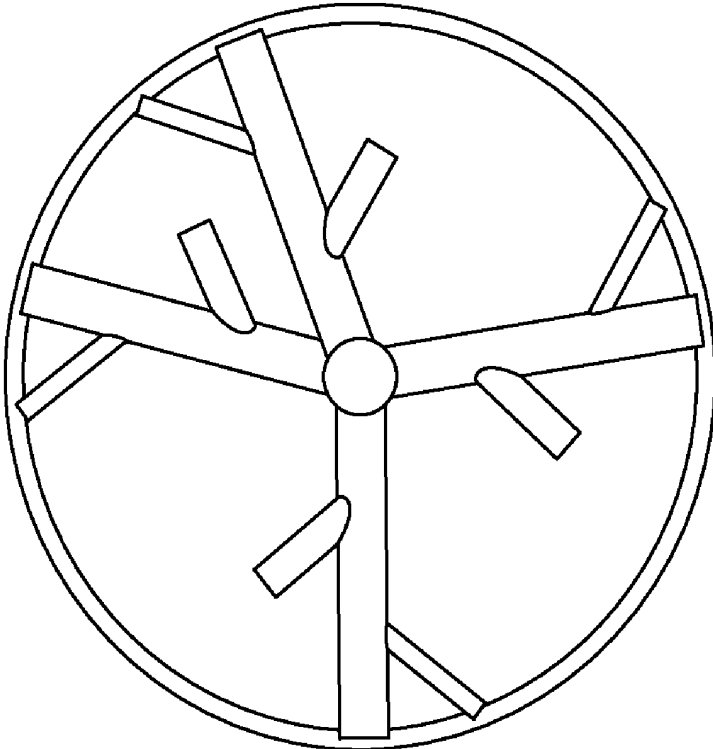


Fig. 6

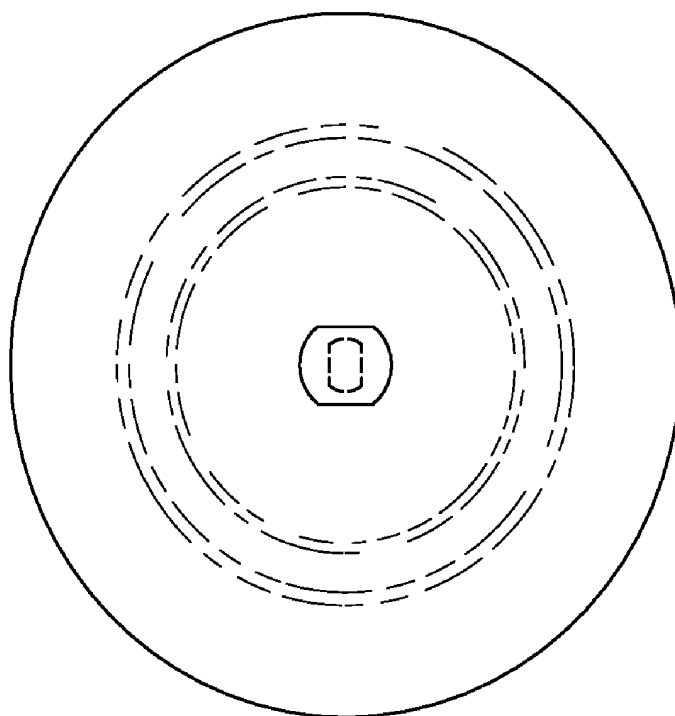


Fig. 7