



US00D612692S

(12) **United States Design Patent**  
**Menceles**

(10) **Patent No.:** **US D612,692 S**  
(45) **Date of Patent:** **\*\* Mar. 30, 2010**

(54) **COMBINATION EATING UTENSIL**

(75) Inventor: **Andrew Menceles**, Toronto (CA)

(73) Assignee: **Gabi Concepts Ltd.**, Toronto, Ontario (CA)

(\*\*) Term: **14 Years**

(21) Appl. No.: **29/341,727**

(22) Filed: **Aug. 11, 2009**

(51) **LOC (9) Cl.** ..... **07-03**

(52) **U.S. Cl.** ..... **D7/643**

(58) **Field of Classification Search** ..... D7/368,  
D7/395, 401.2, 642-646, 649-654, 660-669,  
D7/675-676, 683, 688-692, 695-696; D8/10,  
D8/36, 75, 80, 99, 102, 107, 300; 30/137,  
30/141-143, 147-150, 322-327, 329, 340,  
30/342-346; 416/70 R

See application file for complete search history.

(56) **References Cited**

U.S. PATENT DOCUMENTS

- 32,916 A 7/1861 Richards
- 34,098 A 1/1862 Hardie et al.
- 34,338 A 2/1862 Ulmer
- 51,957 A 1/1866 Minor
- 854,745 A \* 5/1907 King ..... 30/150
- 1,053,387 A 2/1913 Hawley
- 1,229,696 A 6/1917 Woods
- 1,425,750 A 8/1922 Crawford
- 1,488,463 A 4/1924 Abram
- 2,105,382 A 1/1938 Van Horn
- 2,496,296 A 2/1950 Lobl
- 2,555,788 A 6/1951 Donaldson
- 2,674,793 A 4/1954 Dominick
- D220,205 S 3/1971 Saila
- 4,037,081 A 7/1977 Aldridge et al.
- 5,082,115 A 1/1992 Hutcheson
- D342,422 S \* 12/1993 Sanford ..... D7/644
- 5,415,309 A 5/1995 Wang
- 5,445,276 A 8/1995 Gordon
- D401,481 S 11/1998 Boilard et al.

- 5,845,403 A 12/1998 Nivin
- D414,988 S \* 10/1999 Santini ..... D7/644
- 5,975,334 A 11/1999 Mayo
- 6,144,016 A 11/2000 Garvin
- D466,764 S 12/2002 Haythornthwaite et al.
- D509,708 S \* 9/2005 Schmidt ..... D7/645
- 7,013,568 B2 3/2006 Schmidt

(Continued)

FOREIGN PATENT DOCUMENTS

WO 2005/013776 A1 2/2005

*Primary Examiner*—Caron Veynar  
*Assistant Examiner*—Ricky Pham  
(74) *Attorney, Agent, or Firm*—Simpson & Simpson, PLLC

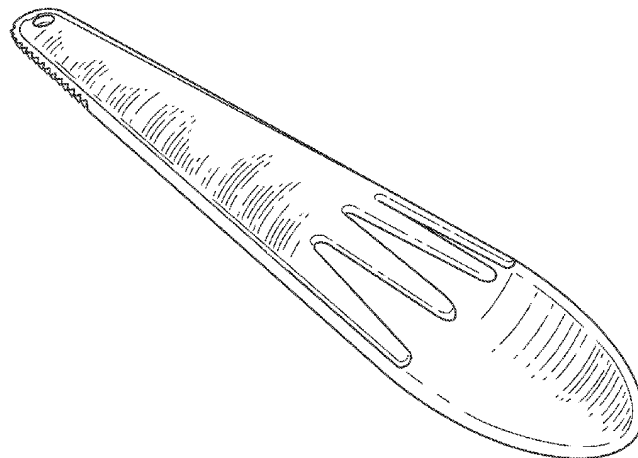
(57) **CLAIM**

The ornamental design for a combination eating utensil, as shown and described.

**DESCRIPTION**

- FIG. 1 is a perspective view of the present invention combination eating utensil;
- FIG. 2 is a top plan view of the combination eating utensil;
- FIG. 3 is a bottom plan view of the combination eating utensil;
- FIG. 4 is a right side elevational view of the combination eating utensil;
- FIG. 5 is a left side elevational view of the combination eating utensil;
- FIG. 6 is an enlarged front elevational view of the combination eating utensil; and,
- FIG. 7 is an enlarged back elevational view of the combination eating utensil.

**1 Claim, 4 Drawing Sheets**



# US D612,692 S

Page 2

---

U.S. PATENT DOCUMENTS					
			2006/0226165 A1	10/2006	Panopoulos
D530,986 S	10/2006	Lago-Arenas	2007/0079513 A1	4/2007	Lago-Arenas
D570,163 S	6/2008	Jimenez et al.	2008/0000092 A1	1/2008	Vanguard
D575,593 S *	8/2008	Svartstrom .....	D7/644		* cited by examiner

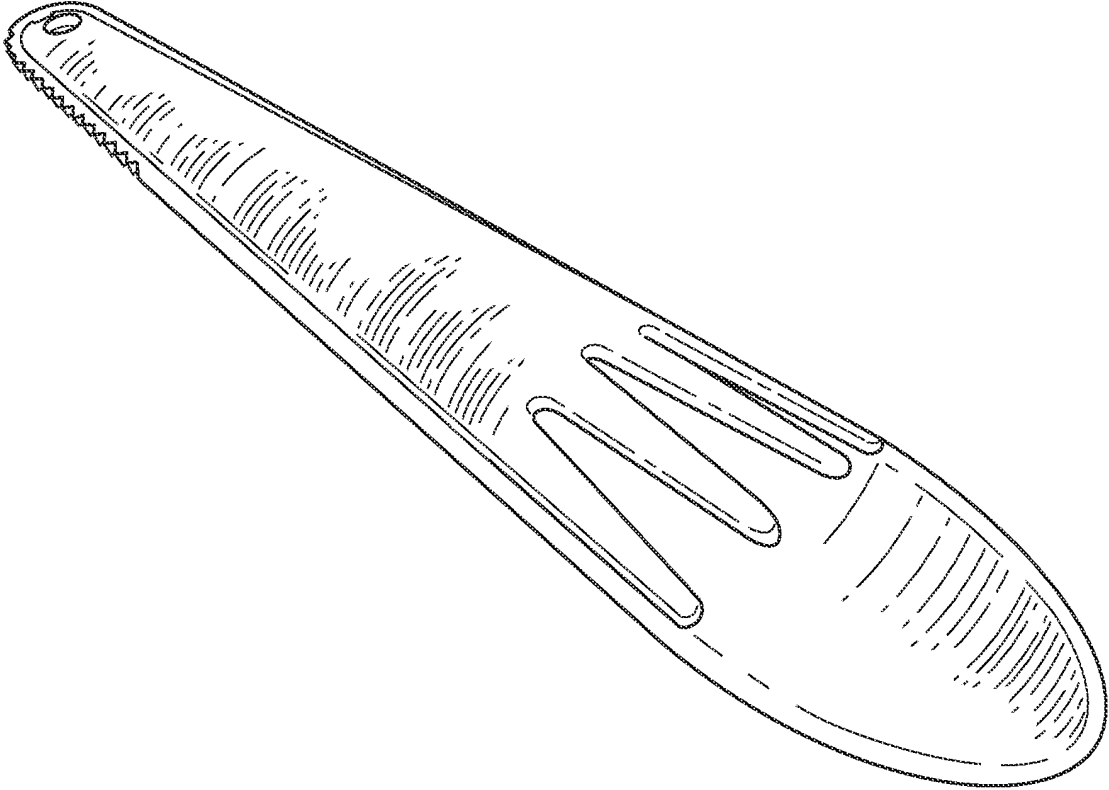


Fig. 1

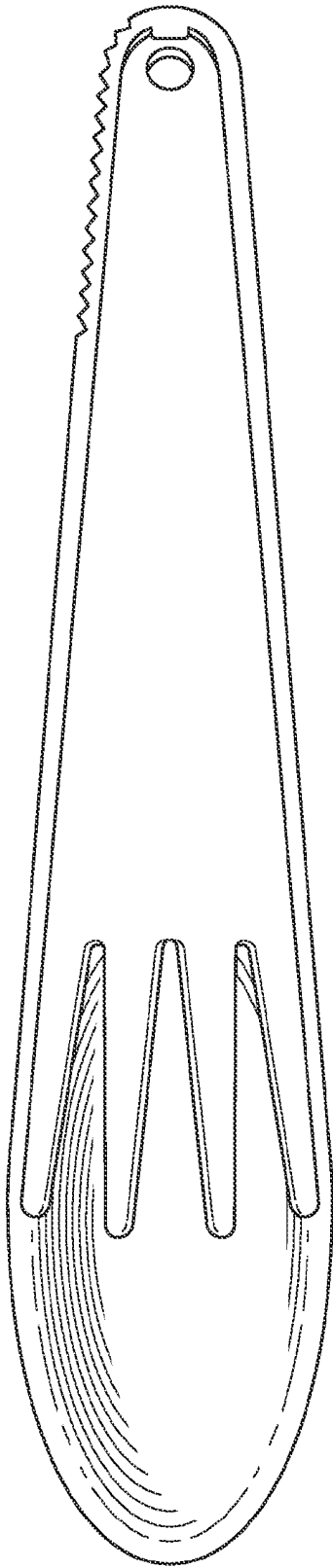


Fig. 2

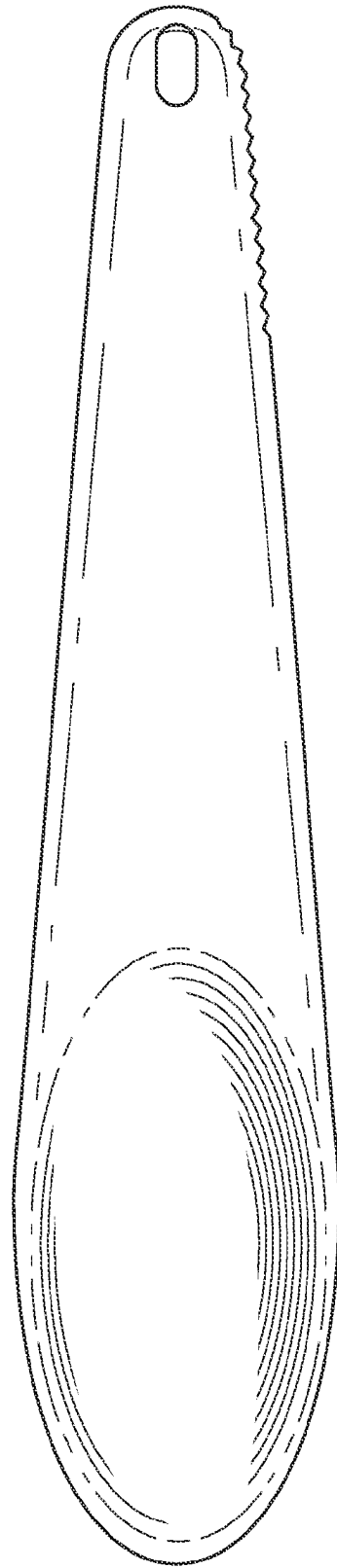


Fig. 3

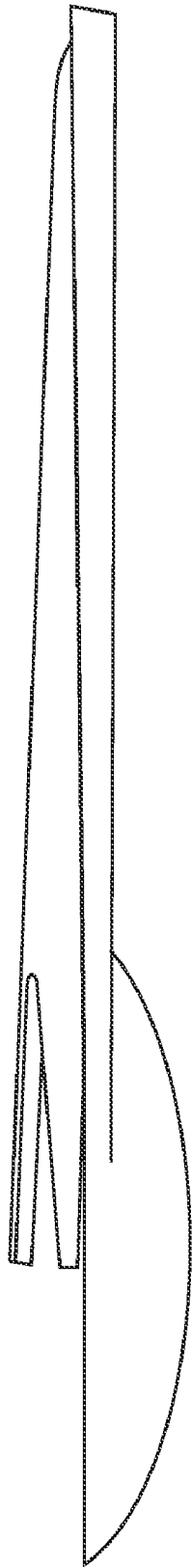


Fig. 4

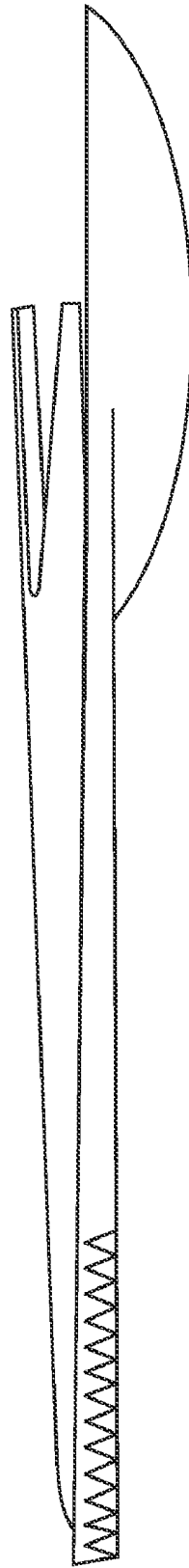


Fig. 5

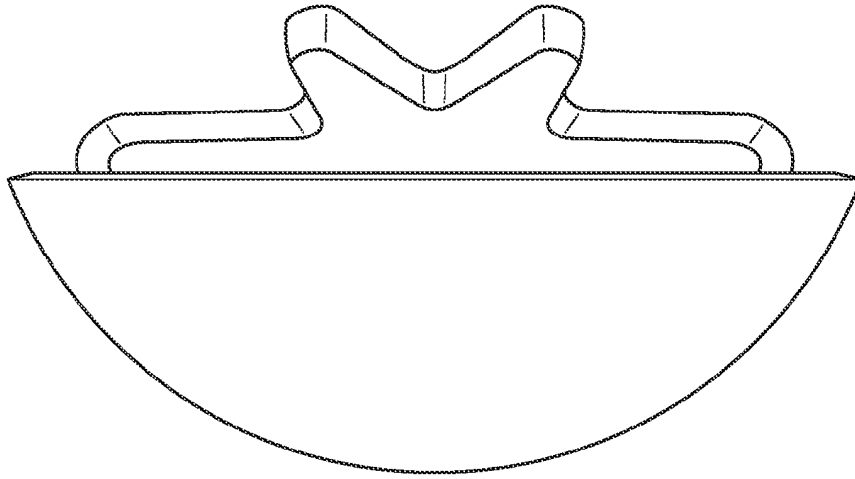


Fig. 6

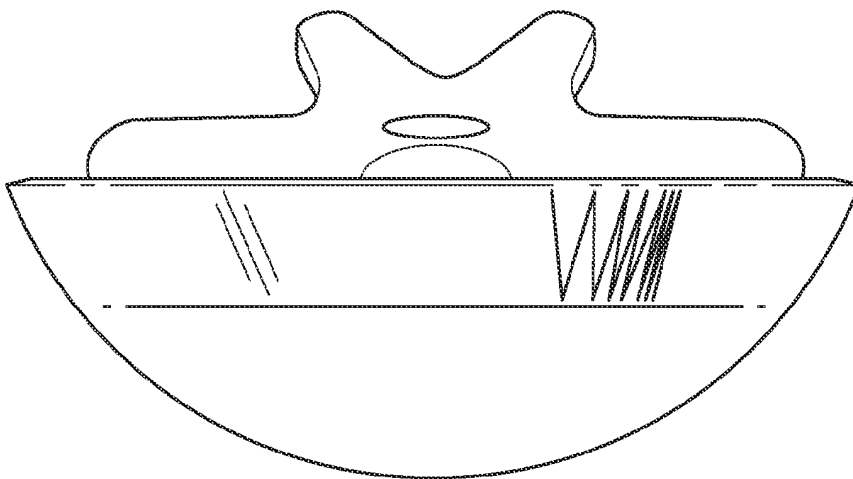


Fig. 7