



US00D623591S

(12) **United States Design Patent**  
**Wisniewski**

(10) **Patent No.:** **US D623,591 S**

(45) **Date of Patent:** **\*\* Sep. 14, 2010**

(54) **CELL PHONE CHARGING STATION**

(75) Inventor: **Alan Wisniewski**, Toronto (CA)

(73) Assignee: **Umbra LLC**, Buffalo, NY (US)

(\*\*) Term: **14 Years**

(21) Appl. No.: **29/352,451**

(22) Filed: **Dec. 21, 2009**

(51) **LOC (9) Cl.** ..... **13-02**

(52) **U.S. Cl.** ..... **D13/108**

(58) **Field of Classification Search** ..... D13/107–110,  
D13/118–119, 184, 199; D14/251, 253,  
D14/432, 434; 320/107–115

See application file for complete search history.

(56) **References Cited**

U.S. PATENT DOCUMENTS

D328,277 S *	7/1992	Leman et al. ....	D13/108
D483,016 S *	12/2003	Ma et al. ....	D13/108
D489,323 S *	5/2004	Yoshida ....	D13/108
D489,325 S *	5/2004	Nakamura ....	D13/110
D508,459 S *	8/2005	Yoshida ....	D13/108
D510,091 S *	9/2005	Mori et al. ....	D14/434
D523,847 S *	6/2006	Naruki ....	D14/224.1
D535,615 S *	1/2007	Iwai ....	D13/108
D540,802 S *	4/2007	Hussaini et al. ....	D14/434
D561,182 S *	2/2008	Jenkins et al. ....	D14/253

D564,959 S \* 3/2008 Heine et al. .... D13/107  
D608,351 S \* 1/2010 Song ..... D14/217

\* cited by examiner

*Primary Examiner*—Rosemary K Tarcza

(74) *Attorney, Agent, or Firm*—Simpson & Simpson, PLLC

(57) **CLAIM**

The ornamental design for a cell phone charging station, as shown and described.

**DESCRIPTION**

FIG. 1 is a perspective view of the present invention cell phone charging station;

FIG. 2 is a front elevational view of the cell phone charging station;

FIG. 3 is a rear elevational view of the cell phone charging station;

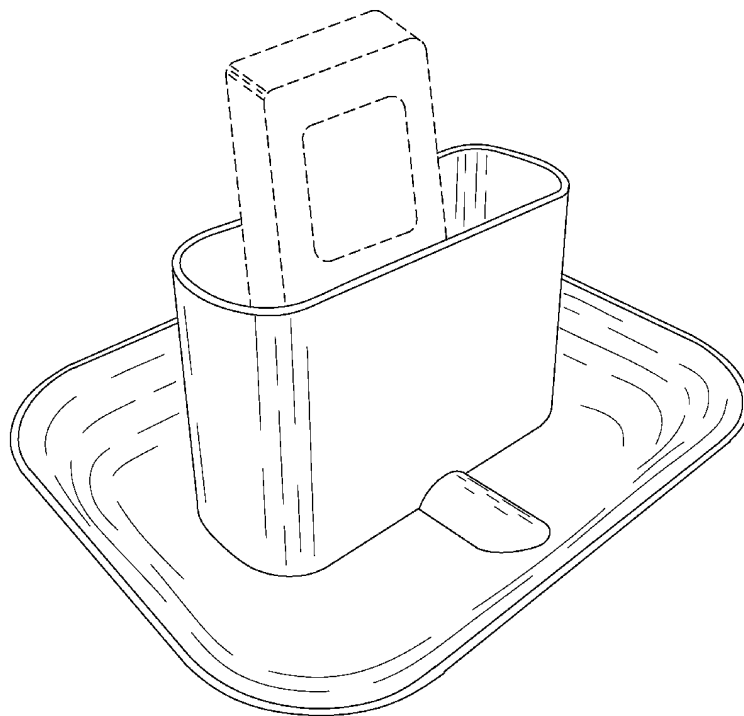
FIG. 4 is a right side elevational view of the cell phone charging station;

FIG. 5 is a top plan view of the cell phone charging station; and,

FIG. 6 is a bottom plan view of the cell phone charging station.

It should be appreciated that the left side elevational view is not shown as it is a mirror image of the right side elevational view. The broken line illustrations of a cell phone shown in FIG. 1 and portions of the cell phone charging station shown in FIGS. 5 and 6 are for illustrative purposes only and form no part of the claimed invention.

**1 Claim, 4 Drawing Sheets**



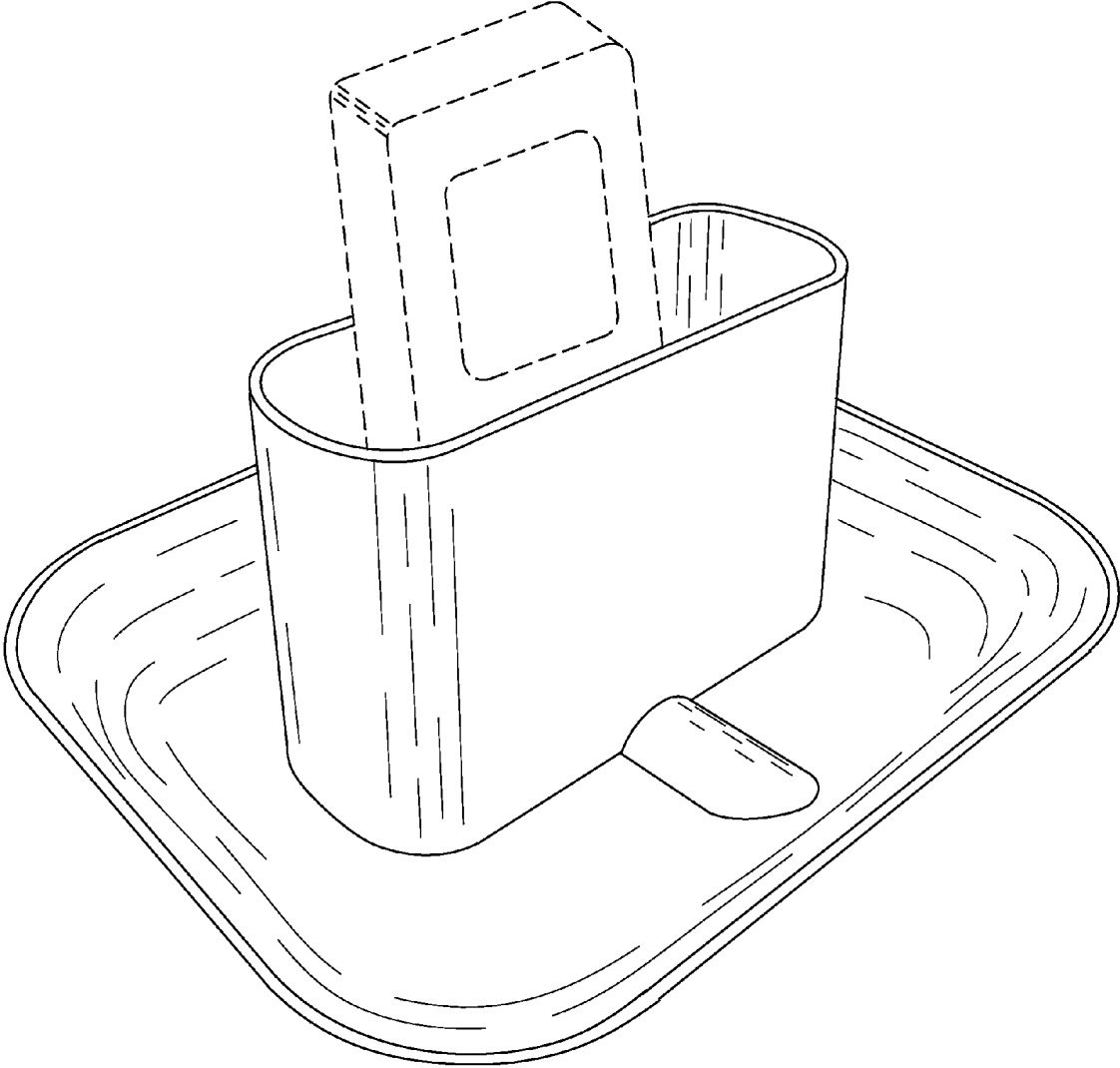


Fig. 1

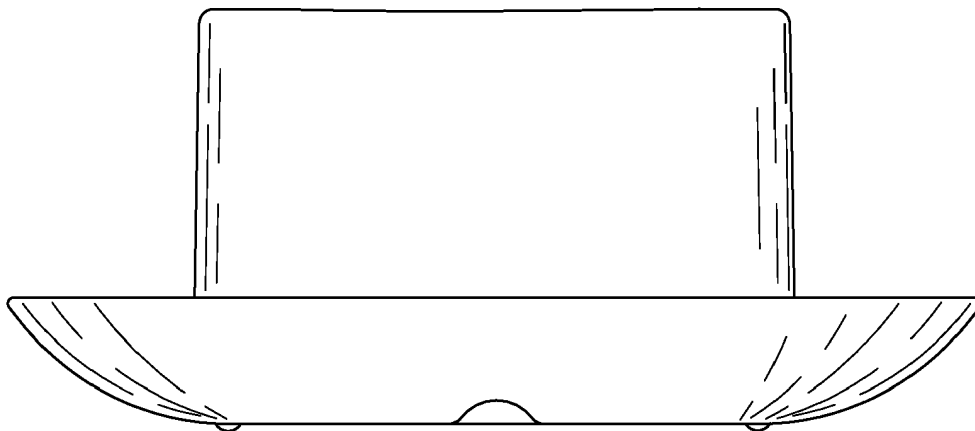


Fig. 2

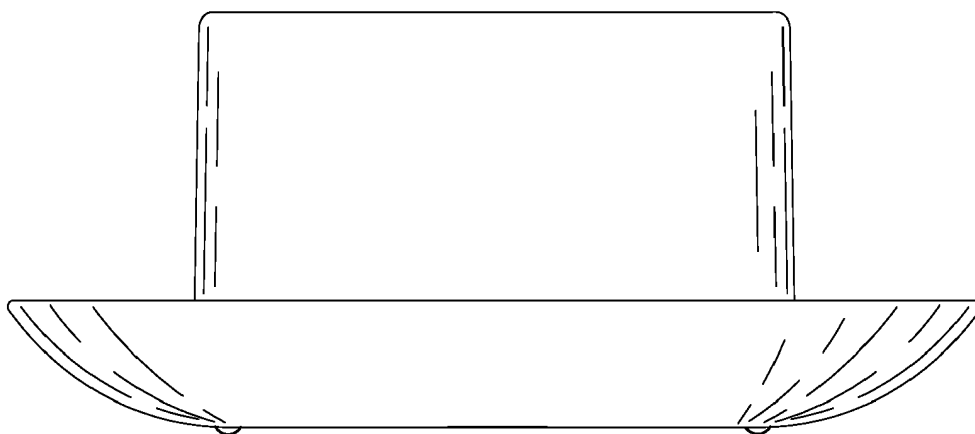


Fig. 3

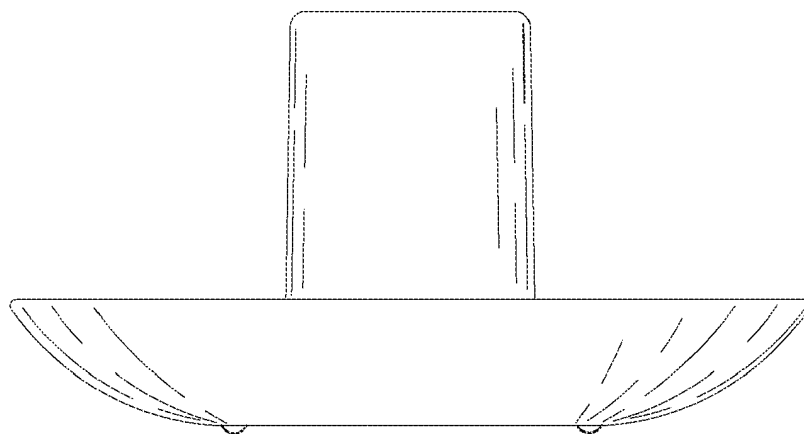


Fig. 4

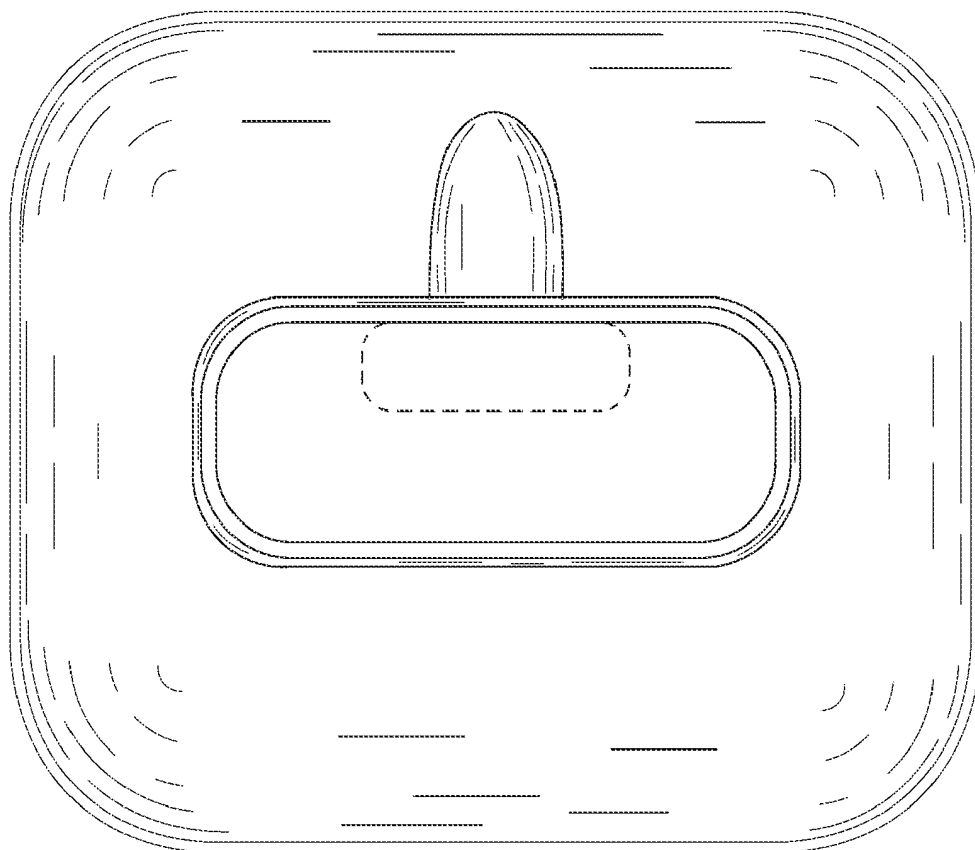


Fig. 5

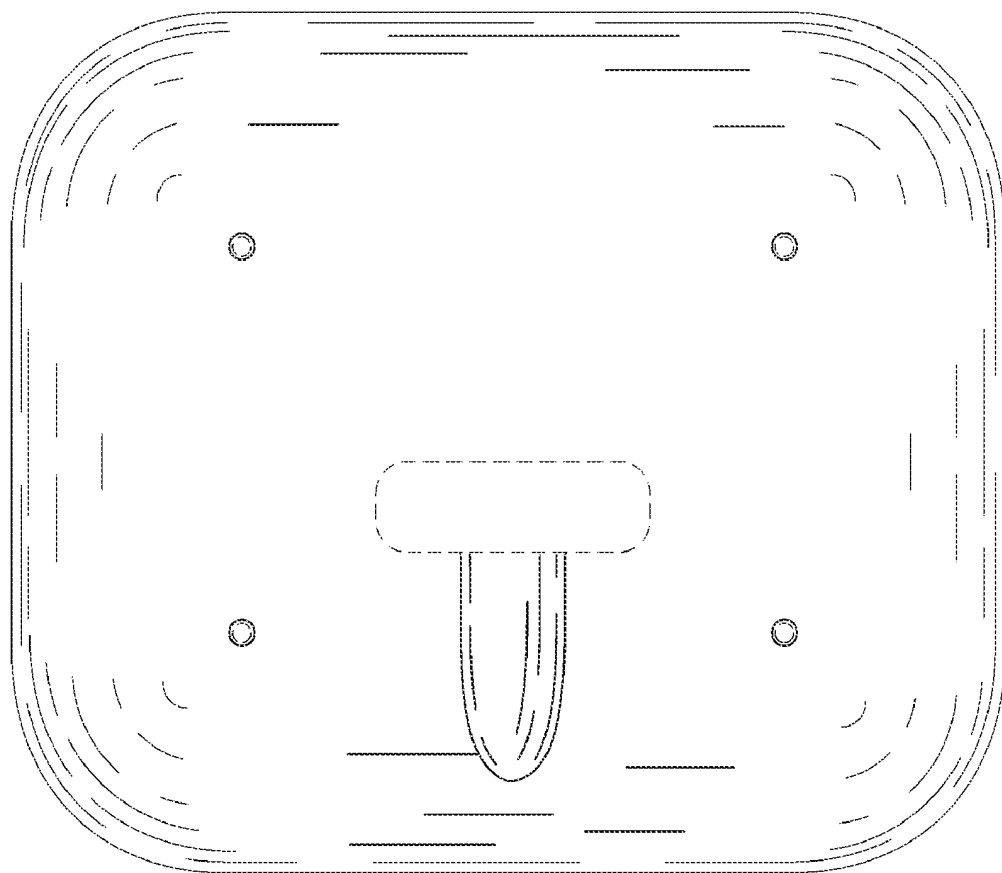


Fig. 6