



US00D624122S

(12) **United States Design Patent**  
**Vincent**

(10) **Patent No.:** **US D624,122 S**

(45) **Date of Patent:** **\*\* Sep. 21, 2010**

(54) **PICTURE FRAME BOOKEND**

*Primary Examiner*—Holly H Baynham

*Assistant Examiner*—Michelle E Wilson

(75) Inventor: **Thomas Vincent**, Bellingham, WA (US)

(74) *Attorney, Agent, or Firm*—Simpson & Simpson, PLLC

(73) Assignee: **UMBRA LLC**, Buffalo, NY (US)

(57) **CLAIM**

(\*\*) Term: **14 Years**

The ornamental design for a picture frame bookend, as shown and described.

(21) Appl. No.: **29/360,607**

(22) Filed: **Apr. 28, 2010**

**DESCRIPTION**

(51) **LOC (9) Cl.** ..... **06-06**

FIG. 1 is a front perspective view of the present invention;

(52) **U.S. Cl.** ..... **D19/34.3**

FIG. 2 is a rear perspective view of the present invention;

(58) **Field of Classification Search** ..... D19/34.1–34.5;  
211/42–43, 50; 248/441.1; D22/115; 473/578,  
473/58, 582–586

FIG. 3 is a front elevational view of the invention;

FIG. 4 is a rear elevational view of the invention;

See application file for complete search history.

FIG. 5 is a left side elevational view of the invention;

FIG. 6 is a right side elevational view of the invention;

(56) **References Cited**

FIG. 7 is a top plan view of the invention; and,

**U.S. PATENT DOCUMENTS**

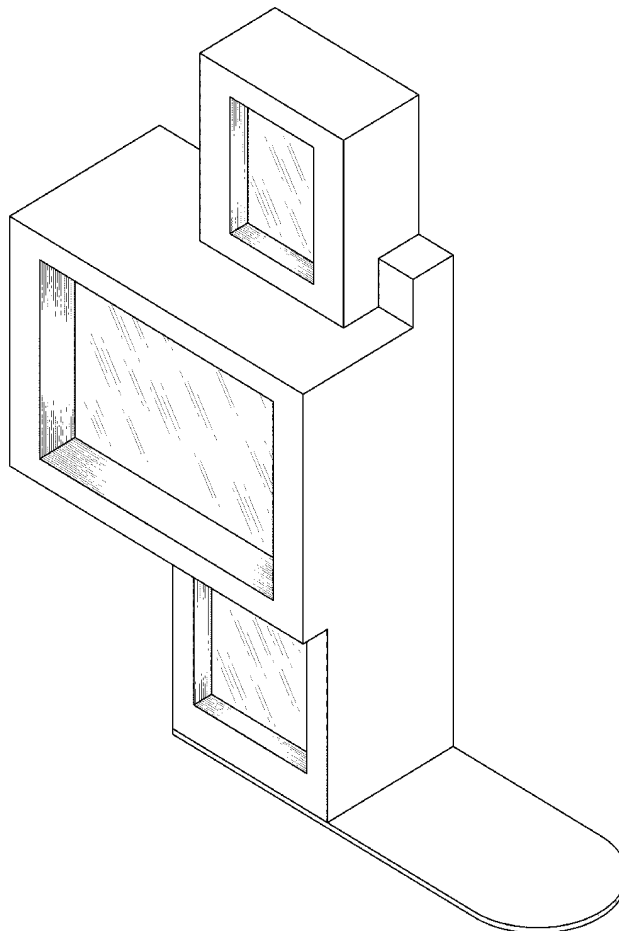
FIG. 8 is a bottom plan view of the invention.

D106,804 S *	11/1937	Mackelfresh	.....	D19/34.1
D140,181 S *	1/1945	McGonigal	.....	D19/34.2
D225,538 S *	12/1972	Culley	.....	D11/160
D256,866 S *	9/1980	Simmoneau	.....	D19/34.3
4,387,534 A *	6/1983	Lewandowski et al.	.....	47/66.6

It should be appreciated that the broken line illustrations shown in FIG. 4 are for illustrative purposes only and form no part of the claimed invention.

\* cited by examiner

**1 Claim, 7 Drawing Sheets**



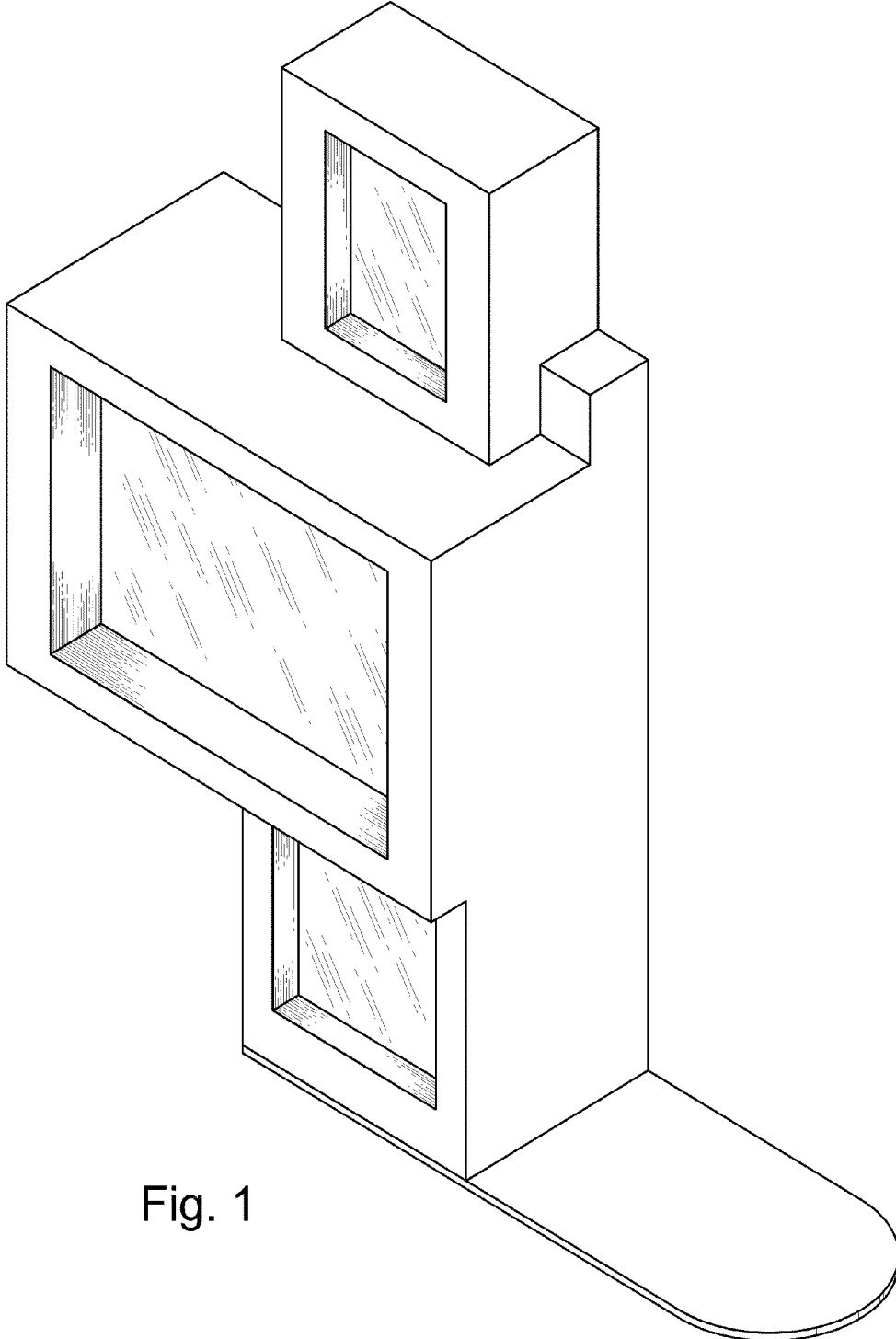


Fig. 1

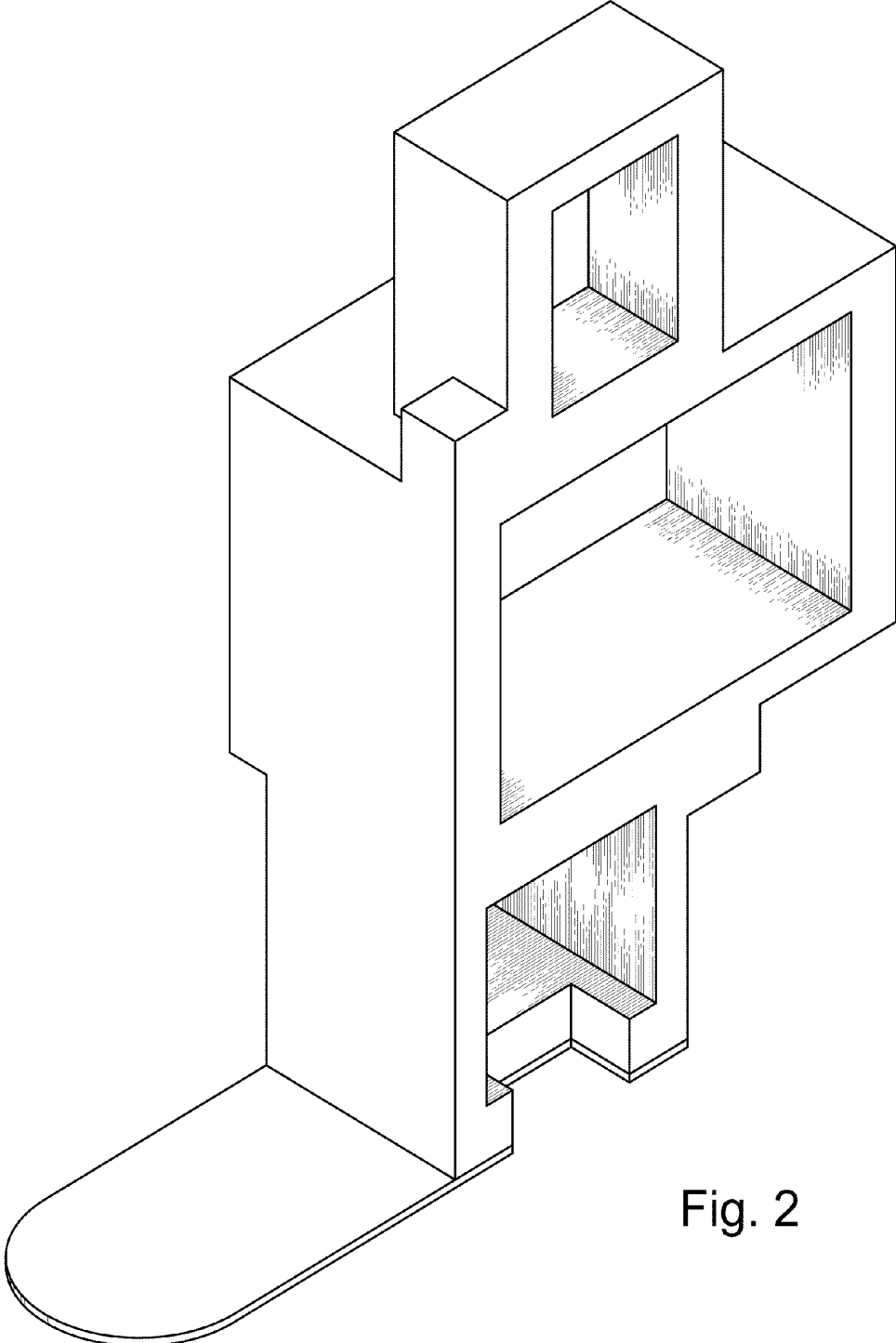


Fig. 2

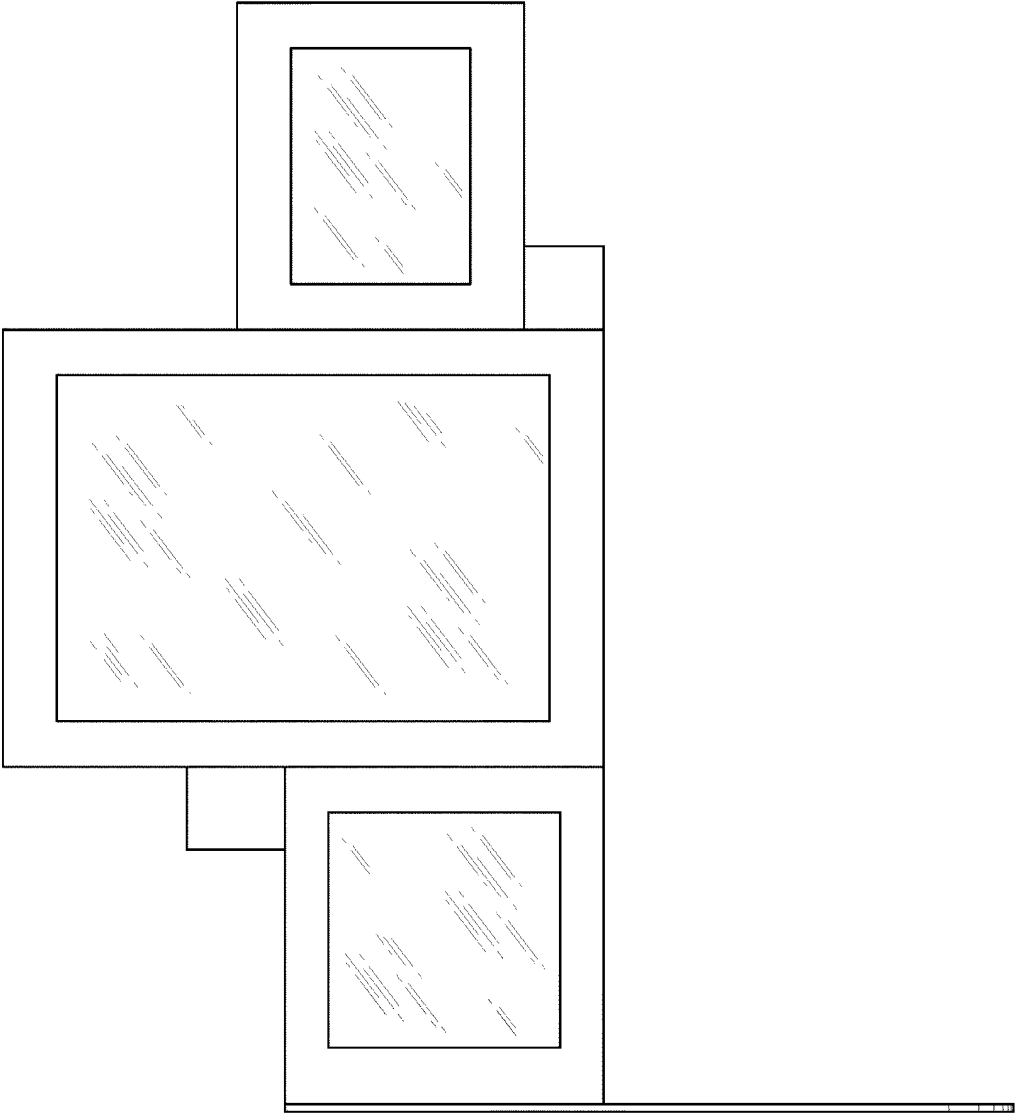


Fig. 3

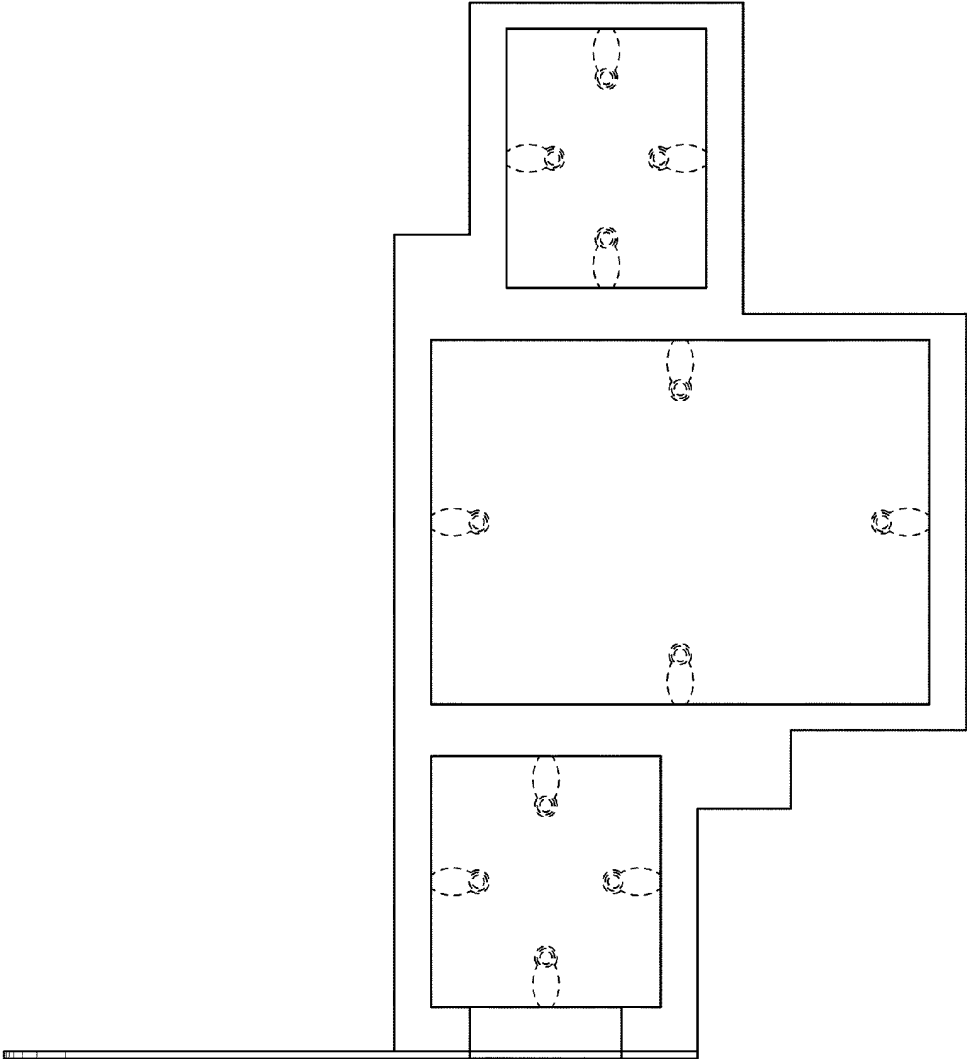


Fig. 4



Fig.5

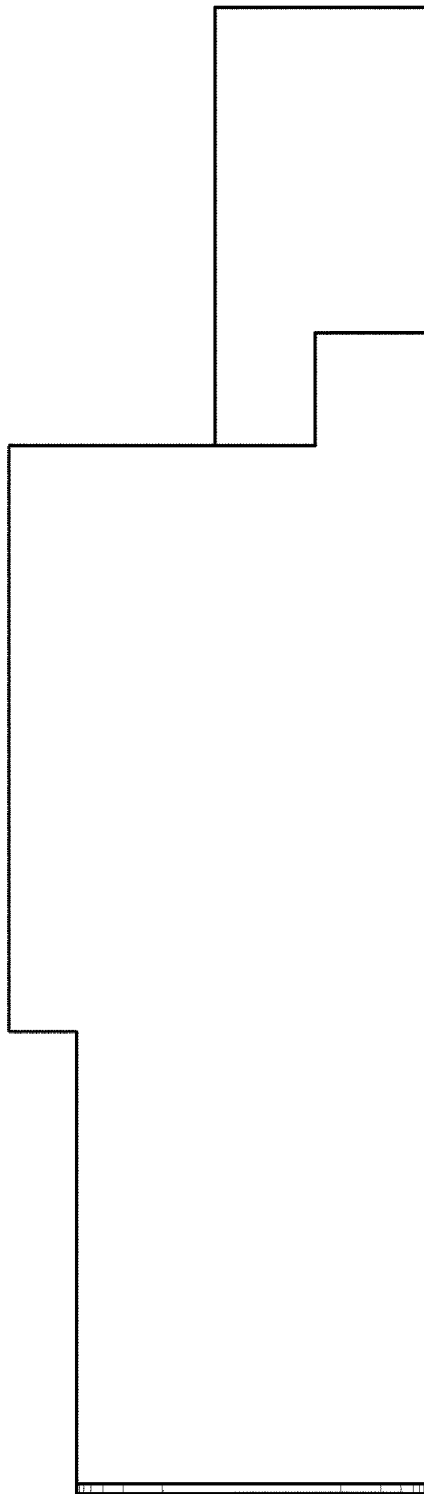


Fig. 6

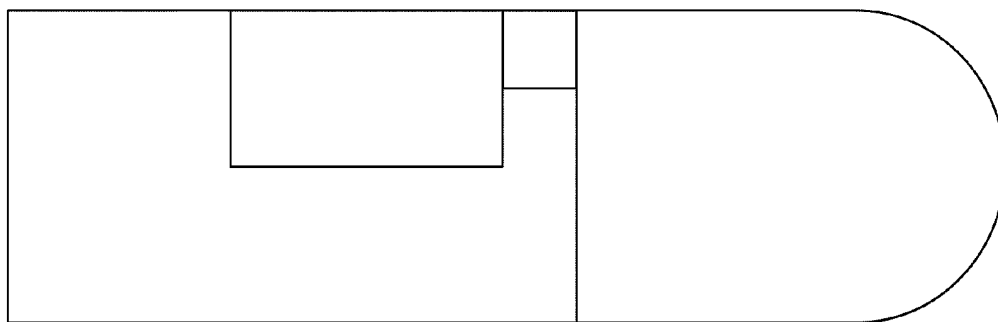


Fig. 7

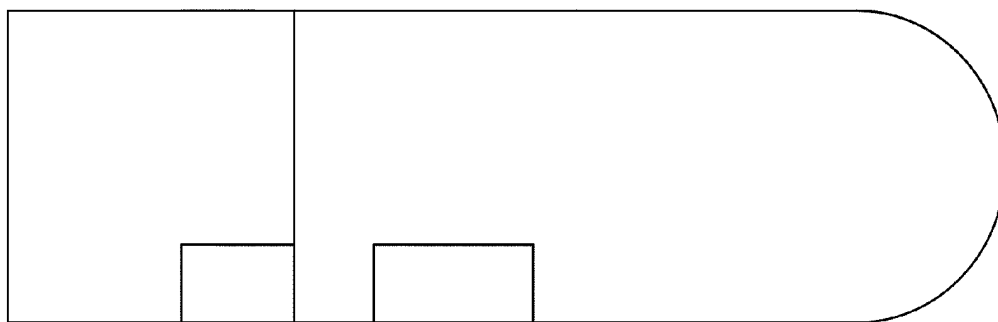


Fig. 8