



US00D644077S

(12) **United States Design Patent**  
**Moman**

(10) **Patent No.:** **US D644,077 S**

(45) **Date of Patent:** **\*\* Aug. 30, 2011**

(54) **BASKETBALL SHAPED BOTTLE OPENER**

(75) Inventor: **Matthew Moman**, Palm Beach Gardens, FL (US)

(73) Assignee: **Pro Products, LLC**, Palm Beach Gardens, FL (US)

(\*\*) Term: **14 Years**

(21) Appl. No.: **29/386,008**

(22) Filed: **Feb. 23, 2011**

(51) **LOC (9) Cl.** ..... **07-99**

(52) **U.S. Cl.** ..... **D8/38**

(58) **Field of Classification Search** ..... D8/14,  
D8/16-19, 33-43, 88, 89, 107; D21/713;  
7/113, 151-156; 81/3.07, 3.09, 3.2, 3.27,  
81/3.29, 3.31, 3.35, 3.37, 3.4, 3.45, 3.48,  
81/3.49, 3.55

See application file for complete search history.

(56) **References Cited**

U.S. PATENT DOCUMENTS

D193,899 S *	10/1962	Harrison	.....	D8/40
D248,986 S *	8/1978	Nakata	.....	D21/713
D421,372 S *	3/2000	Wysopal	.....	D8/38
D439,816 S *	4/2001	Wysopal	.....	D8/38
D510,969 S *	10/2005	Miller	.....	D21/713
D519,011 S *	4/2006	Lister	.....	D8/40

D528,211 S *	9/2006	Solar et al.	.....	D24/158
D577,390 S *	9/2008	Collier	.....	D21/713
D579,740 S *	11/2008	Moman	.....	D8/38
D581,229 S *	11/2008	Uglum	.....	D8/40
D609,987 S *	2/2010	Moman	.....	D8/38
D625,163 S	10/2010	Moman	.....	

\* cited by examiner

*Primary Examiner* — Garth Rademaker

(74) *Attorney, Agent, or Firm* — Simpson & Simpson, PLLC

(57) **CLAIM**

The ornamental design for a basketball shaped bottle opener, as shown herein.

**DESCRIPTION**

FIG. 1 is a bottom perspective view of a basketball shaped bottle opener, showing the new design;

FIG. 2 is a bottom plan view of the basketball shaped bottle opener;

FIG. 3 is a top plan view of the basketball shaped bottle opener;

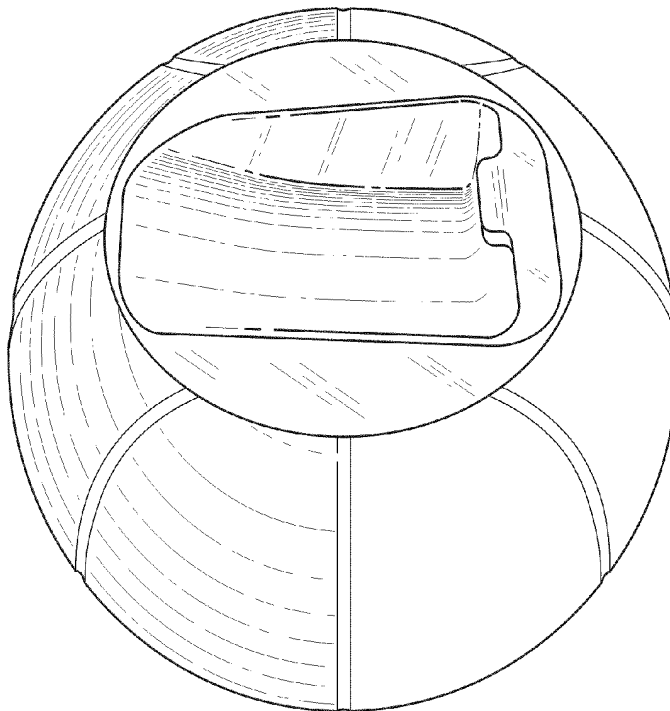
FIG. 4 is a left side view of the basketball shaped bottle opener;

FIG. 5 is a right side view of the basketball shaped bottle opener;

FIG. 6 is a front view of the basketball shaped bottle opener; and,

FIG. 7 is a rear view of the basketball shaped bottle opener.

**1 Claim, 7 Drawing Sheets**



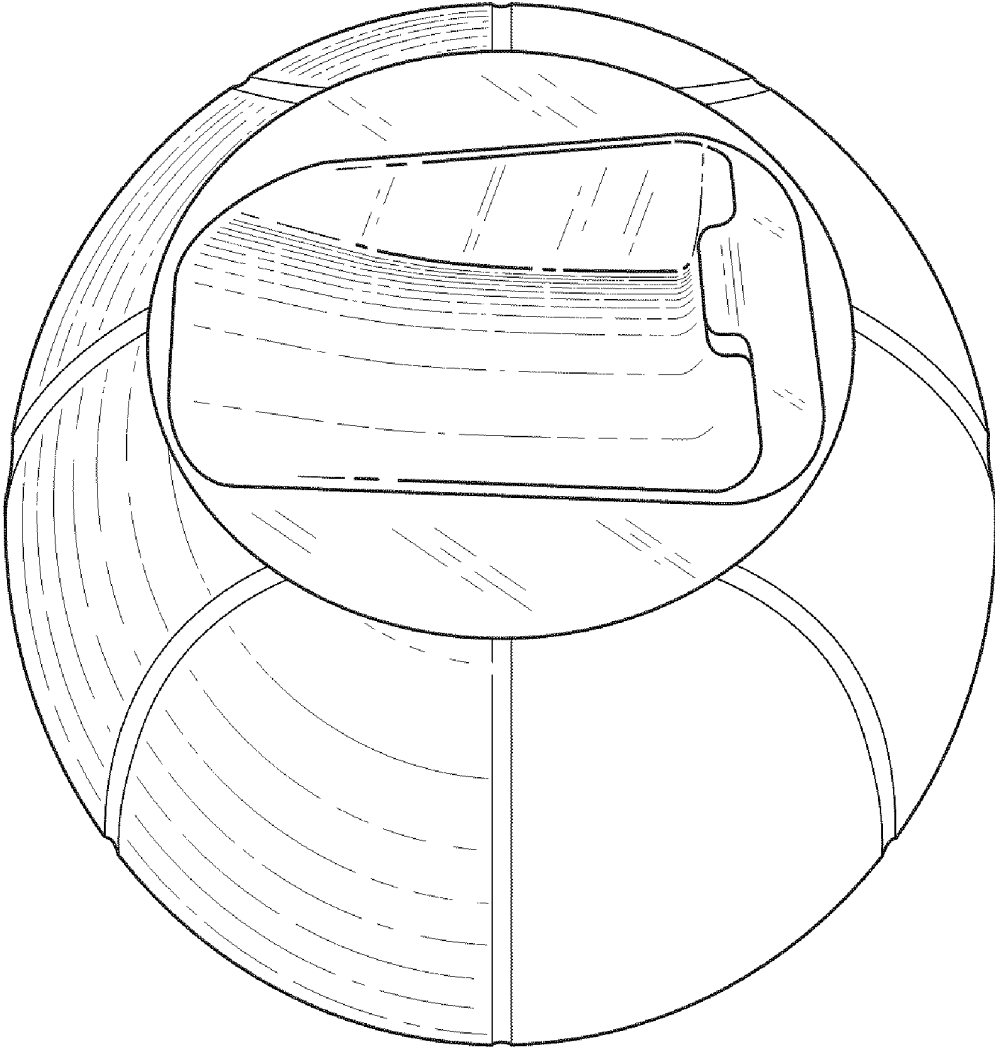


Fig. 1

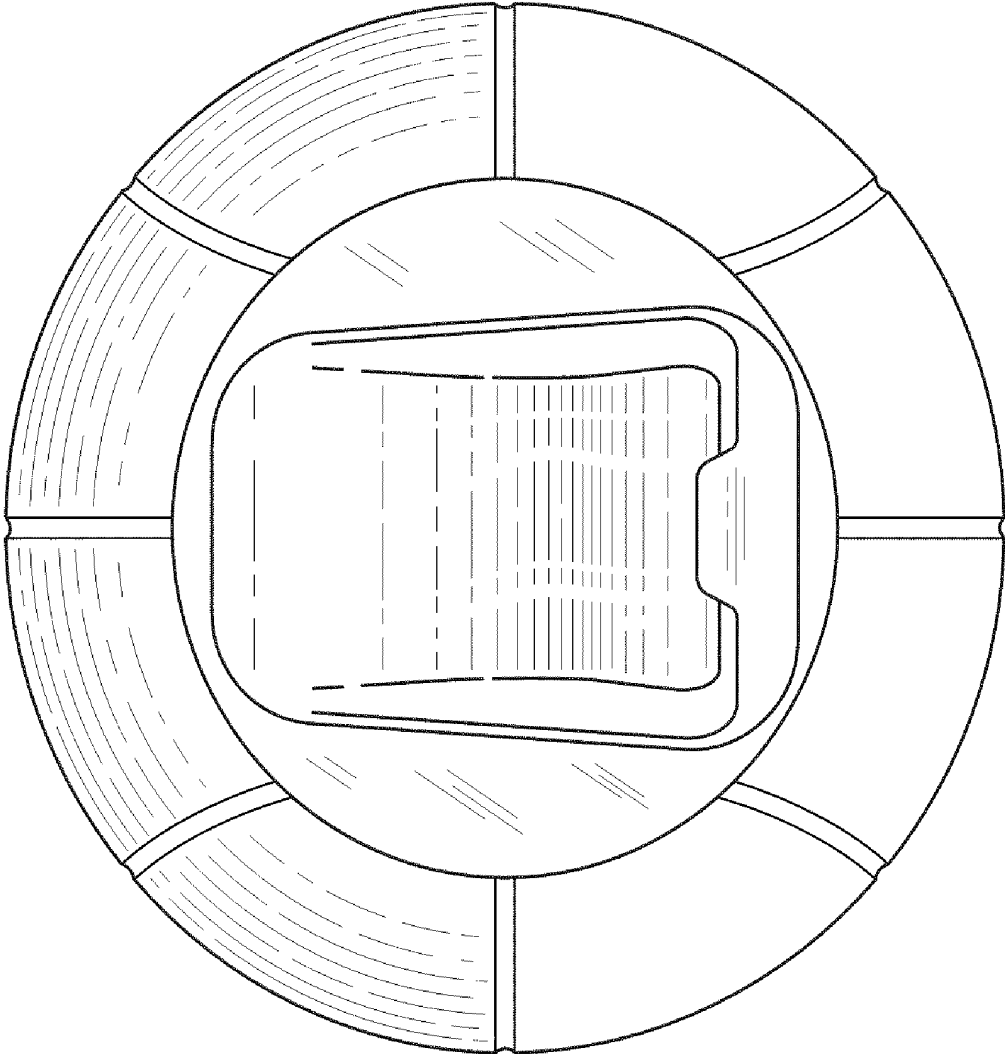


Fig. 2

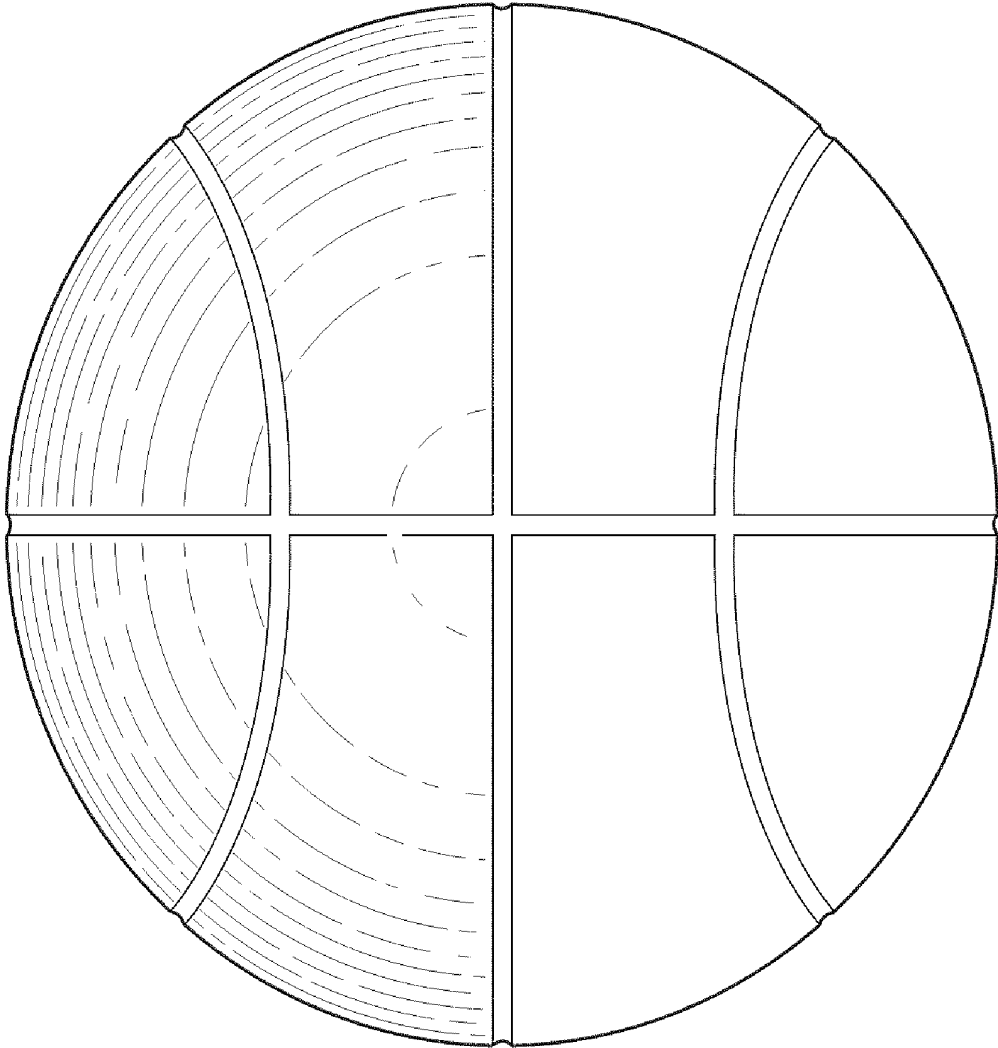


Fig. 3

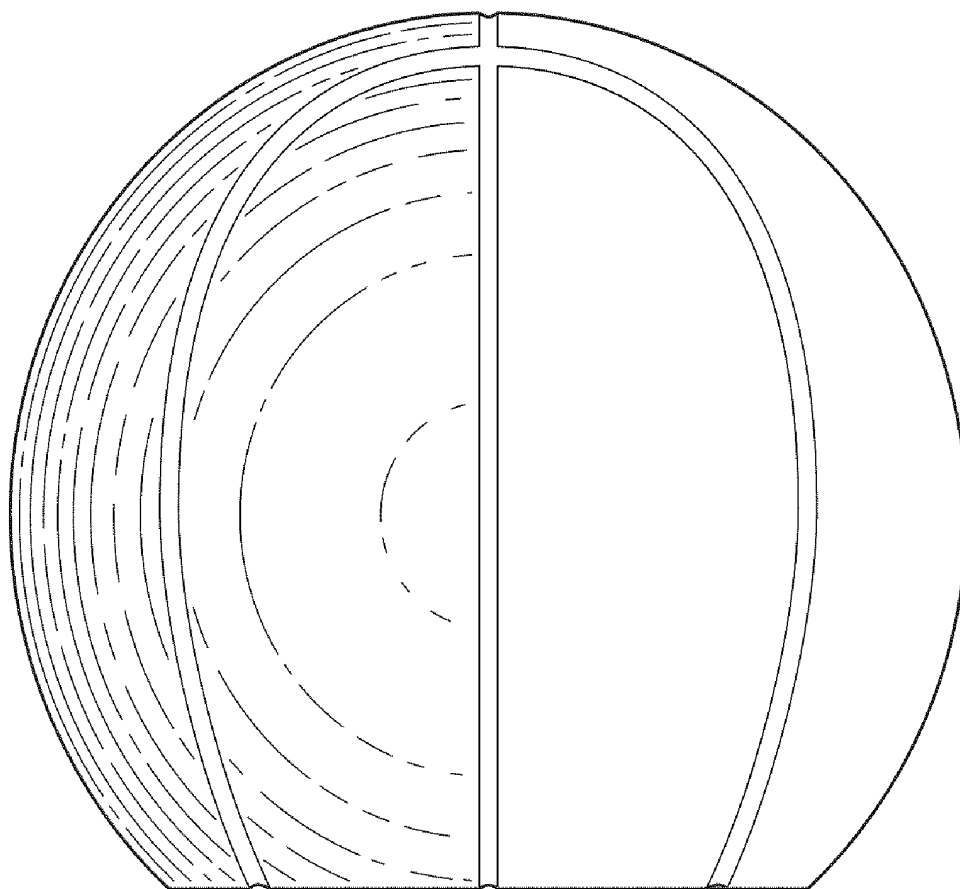


Fig. 4

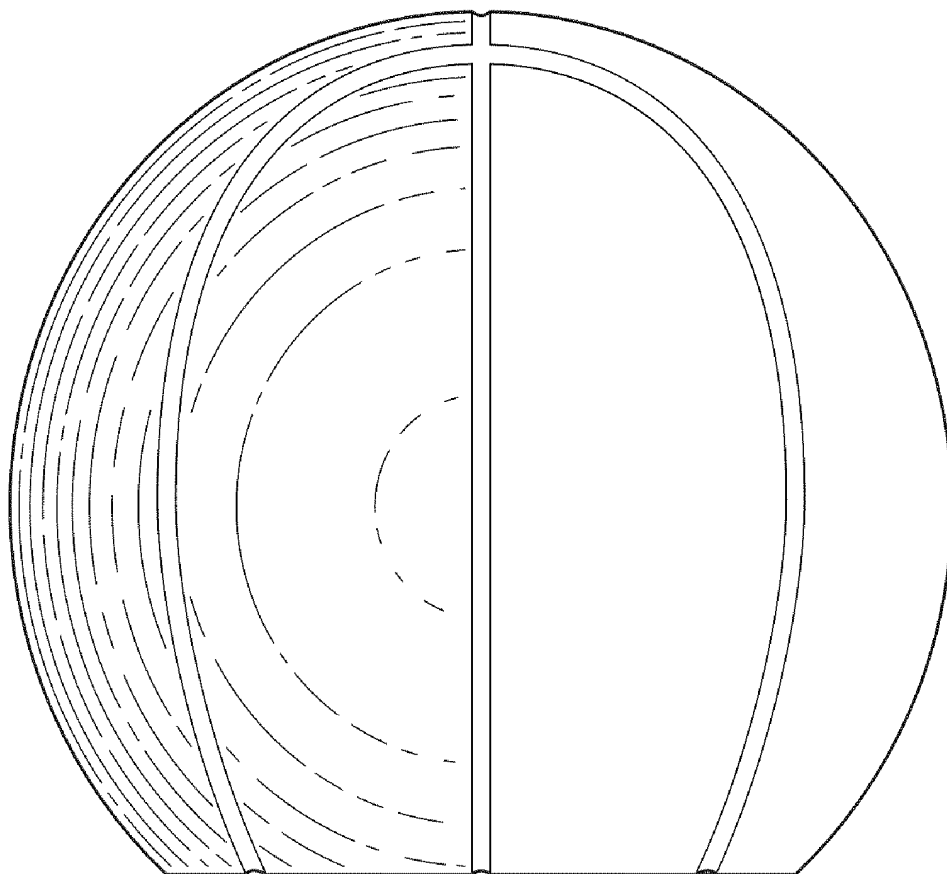


Fig. 5

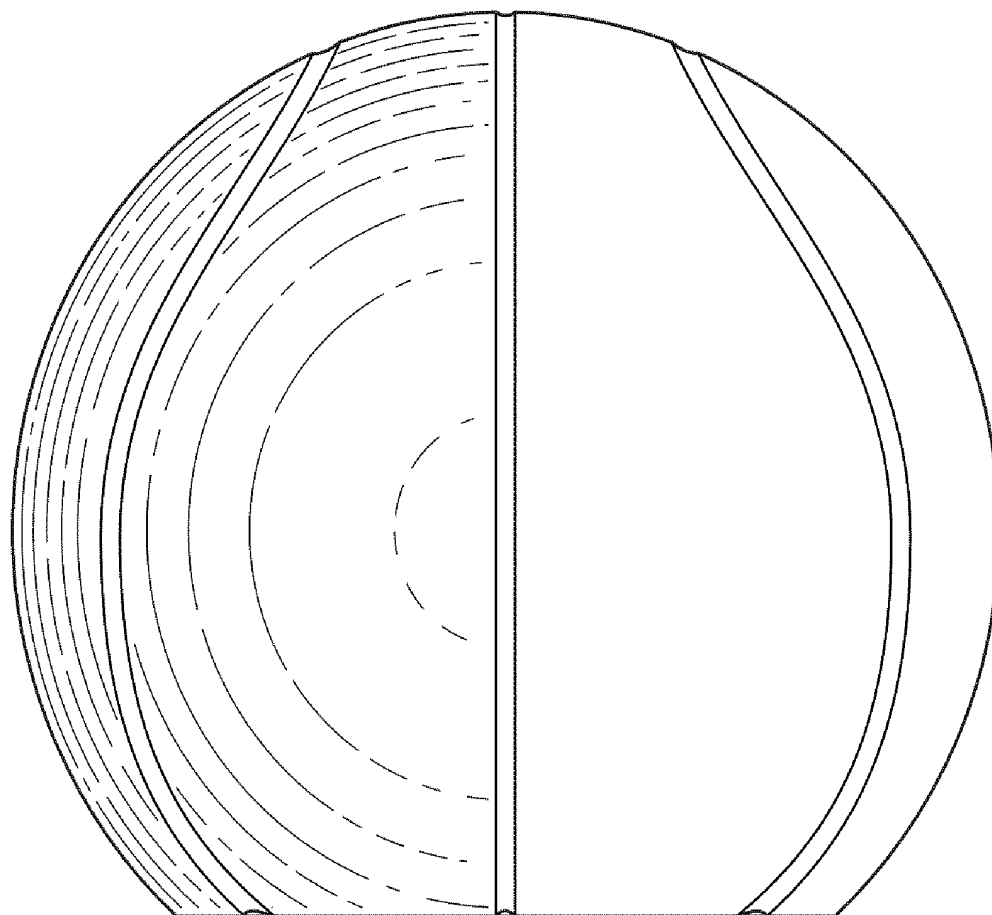


Fig. 6

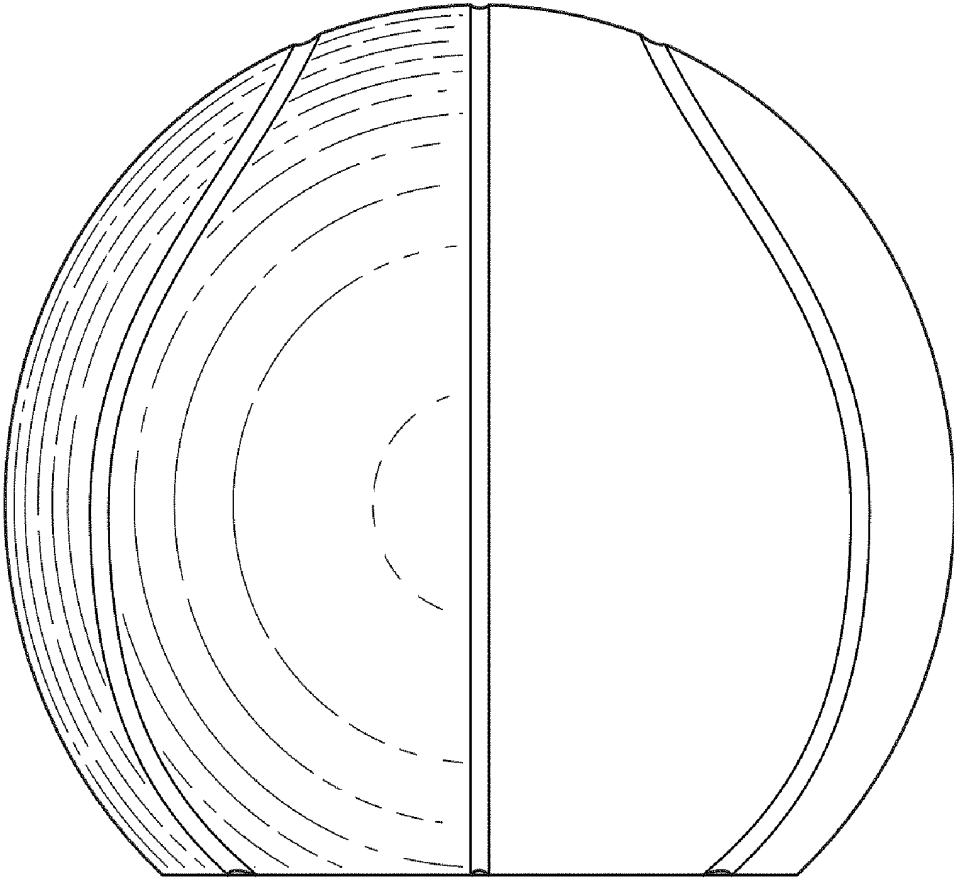


Fig. 7