



US00D644392S

(12) **United States Design Patent**  
**Quan**

(10) **Patent No.:** **US D644,392 S**  
(45) **Date of Patent:** **\*\* Aug. 30, 2011**

- (54) **STEP TRASH CAN**
- (75) Inventor: **David Quan**, Toronto (CA)
- (73) Assignee: **Umbra LLC**, Buffalo, NY (US)
- (\*\*) Term: **14 Years**
- (21) Appl. No.: **29/381,879**
- (22) Filed: **Dec. 23, 2010**
- (51) **LOC (9) Cl.** ..... **09-09**
- (52) **U.S. Cl.** ..... **D34/9**
- (58) **Field of Classification Search** ..... D34/1-11;  
220/908, 908.1, 252, 262, 263  
See application file for complete search history.

D440,725 S *	4/2001	Zimmerman	.....	D34/7
D453,600 S	2/2002	Lin		
6,345,725 B1	2/2002	Lin		
6,390,321 B1	5/2002	Wang		
D467,696 S *	12/2002	Rashid	.....	D34/9
D486,285 S	2/2004	Kuo		
D489,854 S	5/2004	Bayens		
D494,722 S	8/2004	Lin		
6,837,393 B1	1/2005	Kuo		
D517,764 S	3/2006	Wang		
D526,455 S *	8/2006	Chen	.....	D34/8
7,108,148 B2	9/2006	Lu		
RE39,726 E	7/2007	Lin		
D578,721 S	10/2008	Neuhaus		
D592,372 S	5/2009	Neuhaus		
D597,721 S *	8/2009	Brockington et al.	.....	D34/7
7,832,587 B2	11/2010	West		
D632,039 S *	2/2011	Yang et al.	.....	D34/9
2006/0278643 A1	12/2006	Chiou		
2010/0219191 A1	9/2010	Prosa		

(56) **References Cited**

U.S. PATENT DOCUMENTS

1,333,051 A	3/1920	Young		
2,063,507 A	12/1936	Karper		
D229,473 S *	12/1973	Henry	.....	D34/1
D281,111 S *	10/1985	McClelland	.....	D34/8
D319,905 S *	9/1991	Hotchkiss	.....	D34/9
D326,343 S *	5/1992	Hradisky	.....	D34/7
D329,929 S	9/1992	Knoedler et al.		
5,147,055 A	9/1992	Samson et al.		
5,170,904 A	12/1992	Neuhaus		
5,219,085 A	6/1993	Craft et al.		
D343,267 S	1/1994	Craft et al.		
D355,060 S *	1/1995	Bernstein et al.	.....	D32/37
D360,062 S *	7/1995	Mosior	.....	D24/131
5,535,913 A	7/1996	Asbach et al.		
D381,784 S *	7/1997	Keller et al.	.....	D34/9
D393,334 S	4/1998	Presnell et al.		
5,881,896 A	3/1999	Presnell et al.		
D412,229 S *	7/1999	Glenton Kerr	.....	D32/37
5,957,319 A	9/1999	Shane da Costa		
D418,957 S *	1/2000	Rashid	.....	D34/7
D421,840 S *	3/2000	Demore	.....	D3/273

\* cited by examiner

*Primary Examiner* — Cynthia Ramirez

(74) *Attorney, Agent, or Firm* — Simpson & Simpson, PLLC

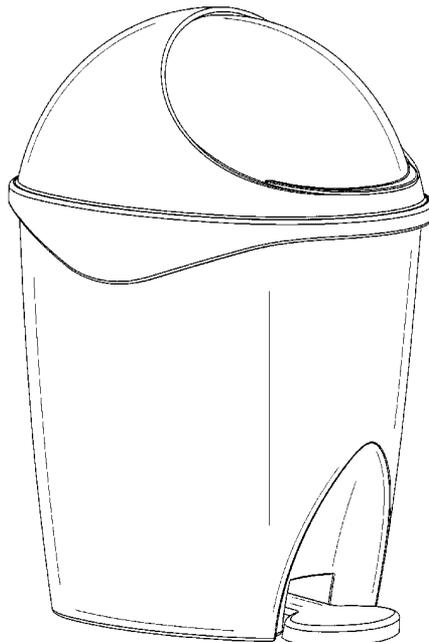
(57) **CLAIM**

The ornamental design for a step trash can, as shown and described.

**DESCRIPTION**

FIG. 1 is a front perspective view of the present invention step trash can;  
 FIG. 2 is a rear bottom perspective view of the invention;  
 FIG. 3 is a top plan view of the invention;  
 FIG. 4 is a bottom plan view of the invention;  
 FIG. 5 is a left side elevational view of the invention;  
 FIG. 6 is a right side elevational view of the invention;  
 FIG. 7 is a front elevational view of the invention; and,  
 FIG. 8 is a rear elevational view of the invention.

**1 Claim, 5 Drawing Sheets**



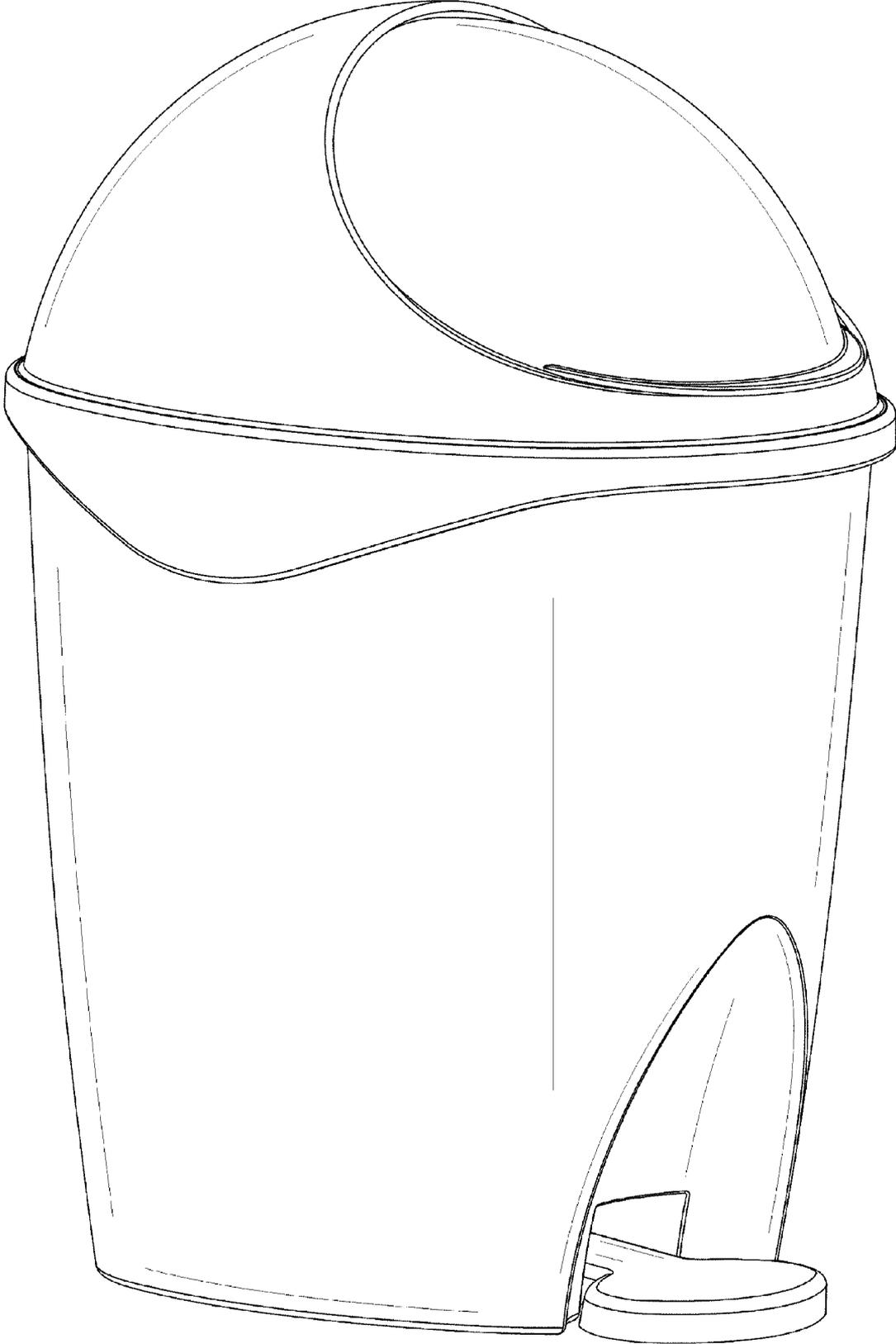


FIG. 1

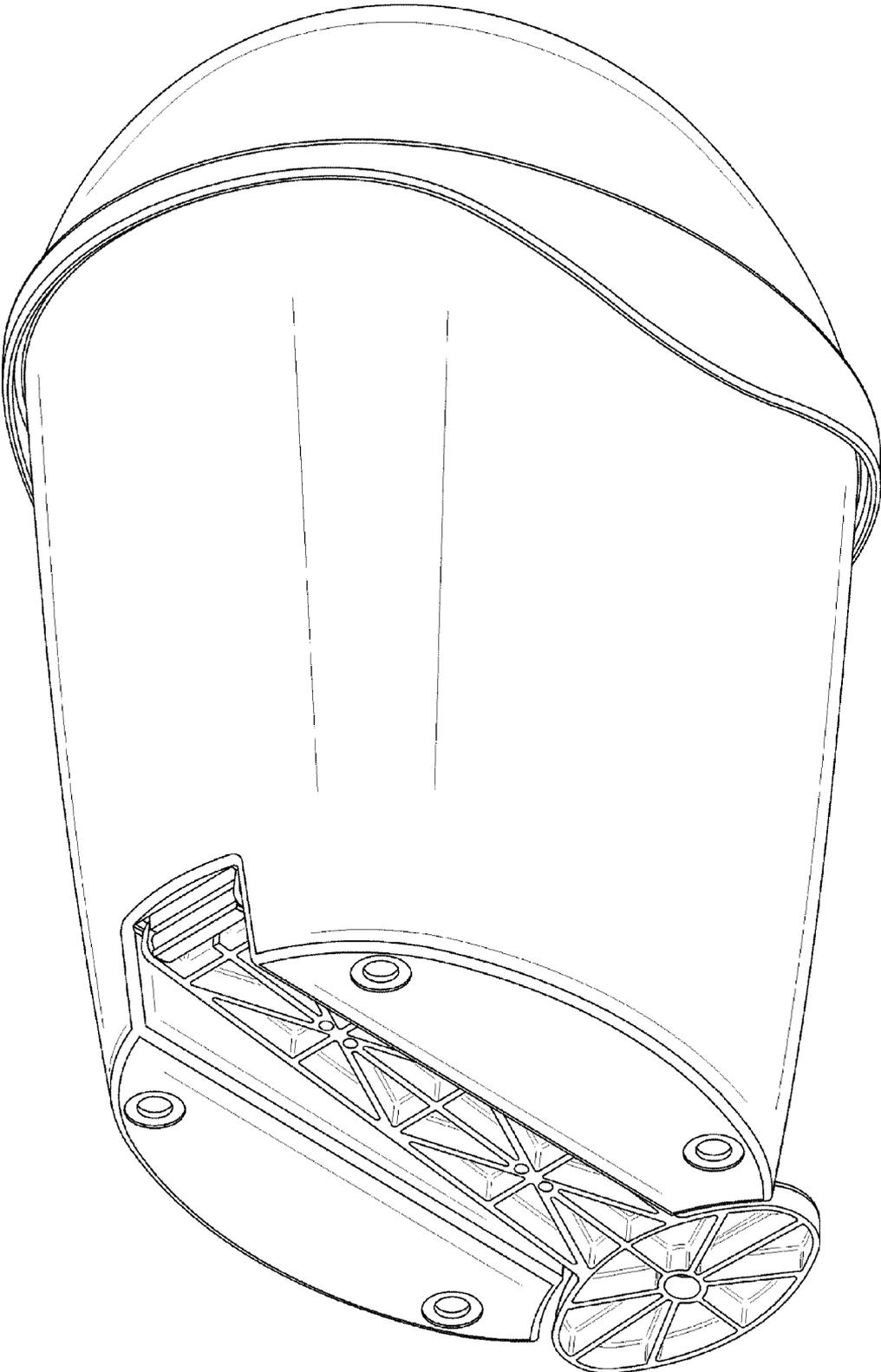


FIG. 2

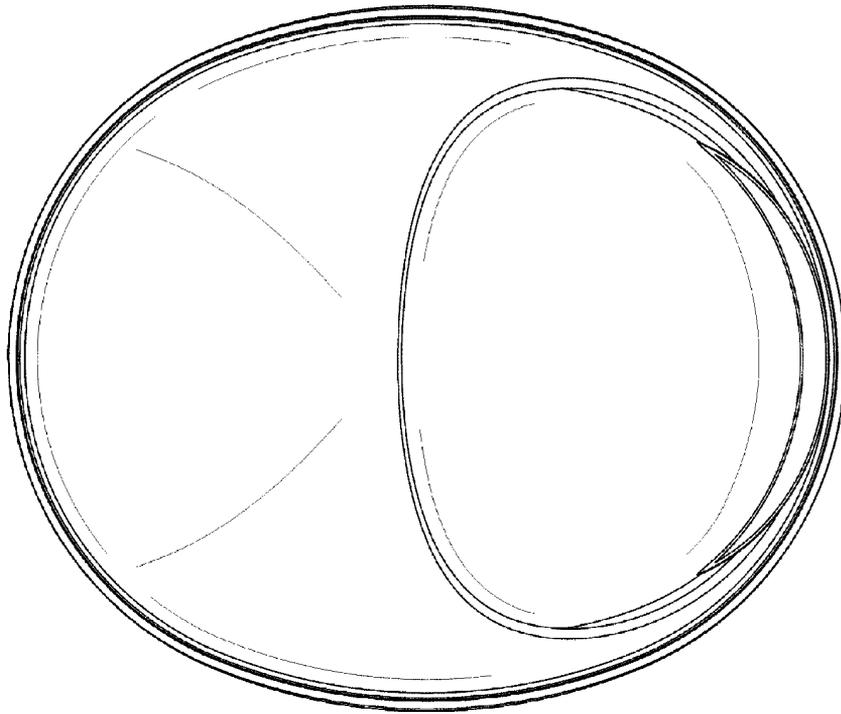


FIG. 3

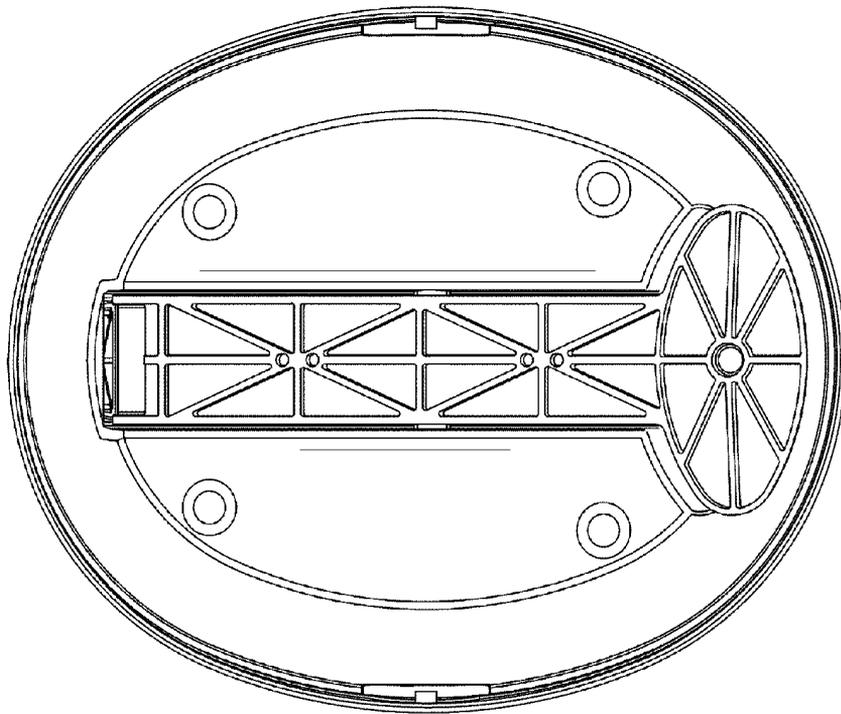


FIG. 4

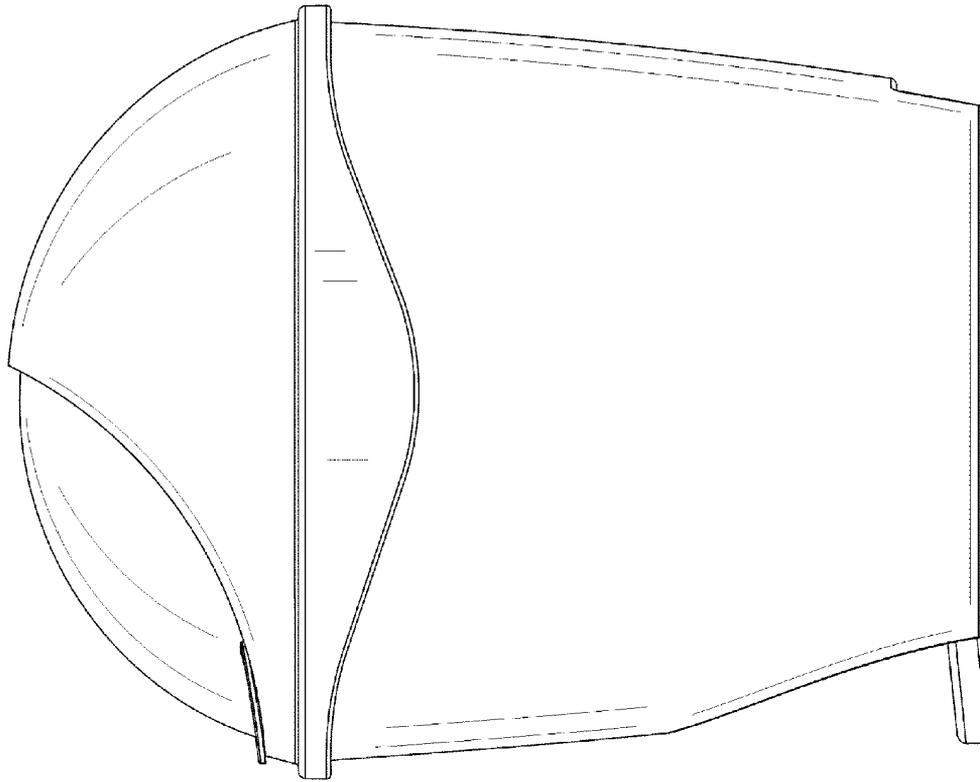


FIG. 6

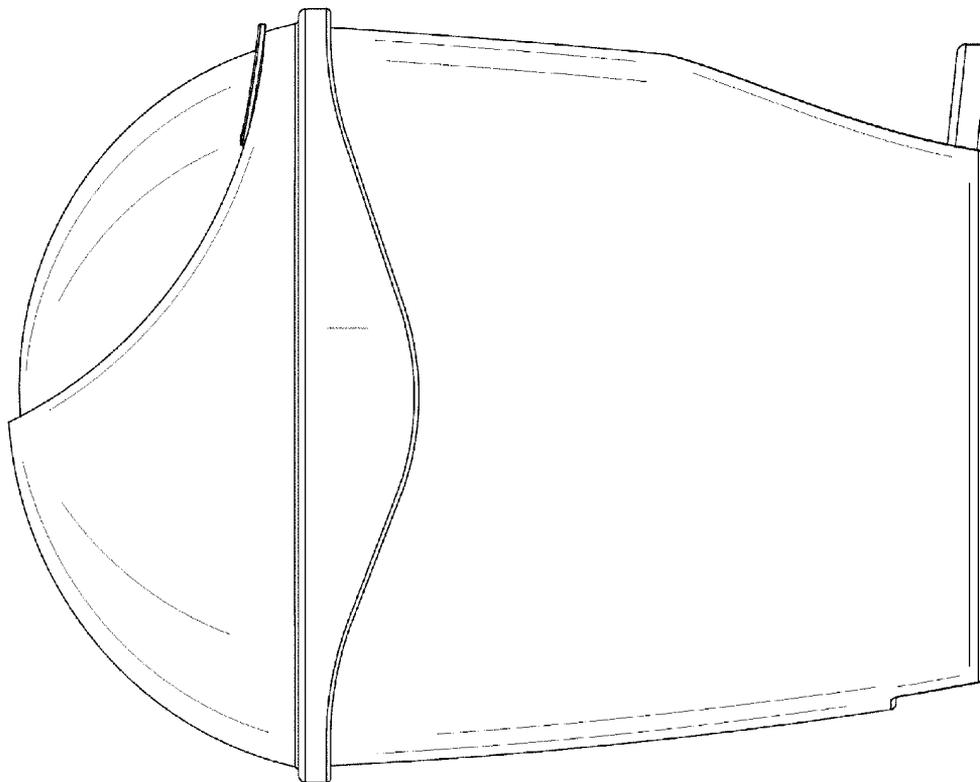


FIG. 5

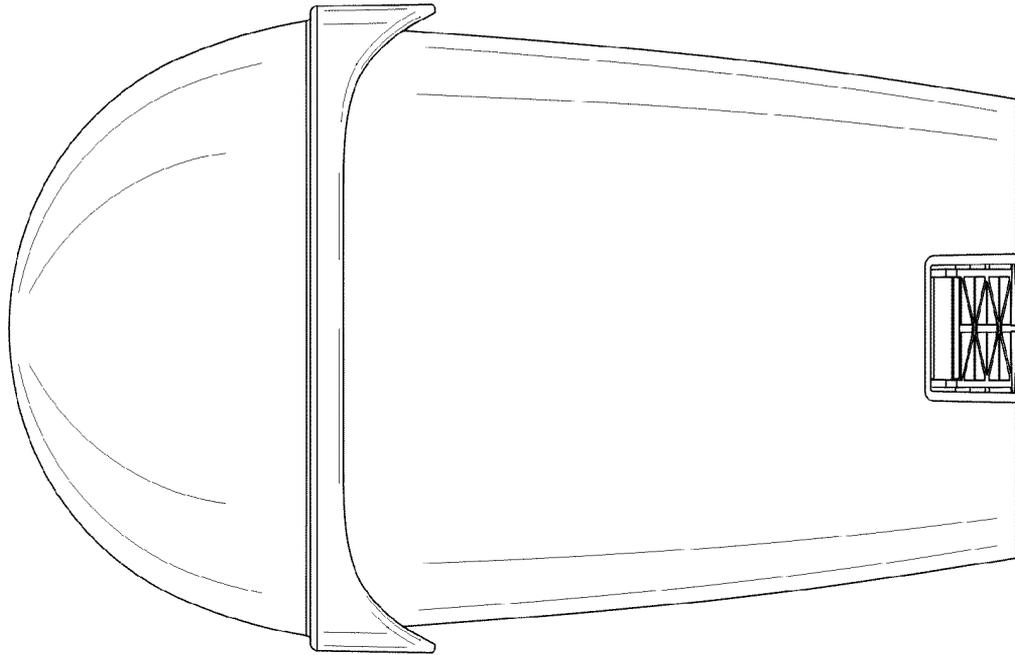


FIG. 8

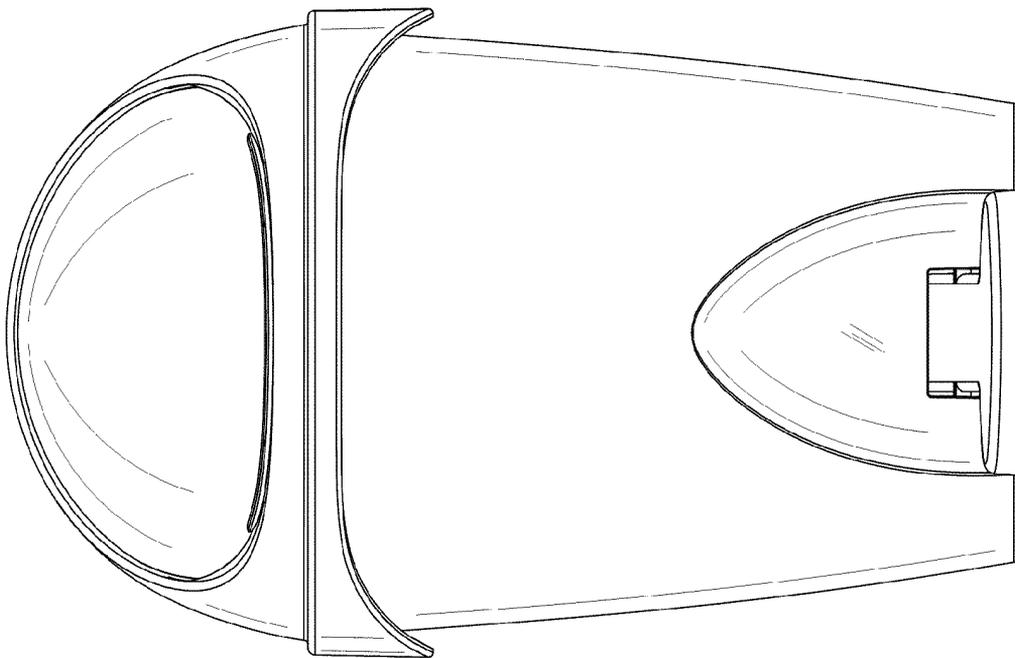


FIG. 7