



US00D657172S

(12) **United States Design Patent**  
**Carr**

(10) **Patent No.:** **US D657,172 S**  
(45) **Date of Patent:** **\*\* Apr. 10, 2012**

(54) **DRESS-SHAPED ORGANIZER**  
(75) Inventor: **Matthew J. Carr**, Toronto (CA)  
(73) Assignee: **Umbra LLC**, Buffalo, NY (US)  
(\*\*) Term: **14 Years**

D401,092 S \* 11/1998 Patel ..... D6/525  
6,371,285 B1 4/2002 DuBois  
D457,763 S \* 5/2002 Borys ..... D6/513  
7,389,868 B2 6/2008 Lewand et al.  
7,481,340 B2 1/2009 Murphy  
D605,441 S 12/2009 Lamplugh  
7,712,641 B2 5/2010 Snyder  
2007/0000795 A1 1/2007 Chastant et al.

(21) Appl. No.: **29/404,444**  
(22) Filed: **Oct. 20, 2011**  
(51) **LOC (9) Cl.** ..... **D6-06**  
(52) **U.S. Cl.** ..... **D6/513**  
(58) **Field of Classification Search** ..... D6/512,  
D6/513, 514, 524, 525, 553, 567, 569, 315,  
D6/317, 318; 206/6.1, 349, 362.2, 568; 211/13.1,  
211/10, 86.01, 87.01  
See application file for complete search history.

**FOREIGN PATENT DOCUMENTS**

GB 2432523 5/2007  
JP 6205707 7/1994

**OTHER PUBLICATIONS**

<http://www.jobar.com/HANGING-CLOSET-SAFE-P11651.aspx>,  
last viewed Dec. 2, 2011.

\* cited by examiner

*Primary Examiner* — Brian N Vinson

(74) *Attorney, Agent, or Firm* — Simpson & Simpson, PLLC

(56) **References Cited**

**U.S. PATENT DOCUMENTS**

3,139,133 A 6/1964 Spector  
3,718,260 A 2/1973 Sharp  
4,401,219 A \* 8/1983 Mink ..... 206/6.1  
D320,131 S \* 9/1991 Pereyra et al. .... D6/513  
D323,755 S \* 2/1992 Harney ..... D6/513  
D332,697 S 1/1993 Schildkraut  
5,209,344 A 5/1993 Smith  
5,246,103 A \* 9/1993 Hicks ..... 206/6.1  
D341,946 S \* 12/1993 Graffigna ..... D6/316  
D343,749 S \* 2/1994 Thompson ..... D6/513  
5,295,587 A 3/1994 Downes et al.  
5,427,230 A 6/1995 Mattox  
D363,185 S \* 10/1995 Thompson ..... D6/513  
D369,261 S 4/1996 Brink  
5,509,588 A 4/1996 Kimball  
D385,419 S 10/1997 Ibigbami  
D387,929 S \* 12/1997 Stewart ..... D6/513  
D389,353 S \* 1/1998 Patel ..... D6/525  
5,779,033 A 7/1998 Roegner  
D399,378 S \* 10/1998 Home ..... D6/513

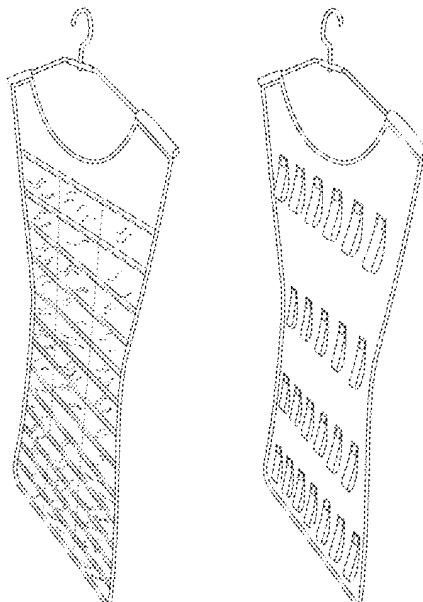
(57) **CLAIM**

The ornamental design for a dress-shaped organizer, as shown and described.

**DESCRIPTION**

FIG. 1 is a front perspective view of a dress-shaped organizer showing my new design;  
FIG. 2 is a rear perspective view thereof;  
FIG. 3 is a front elevational view thereof;  
FIG. 4 is a rear elevational view thereof;  
FIG. 5 is a left side elevational view thereof;  
FIG. 6 is a right side elevational view thereof;  
FIG. 7 is a top plan view thereof; and,  
FIG. 8 is a bottom plan view thereof.  
The dotted line disclosure in the views is understood to represent conventional stitching.

**1 Claim, 6 Drawing Sheets**



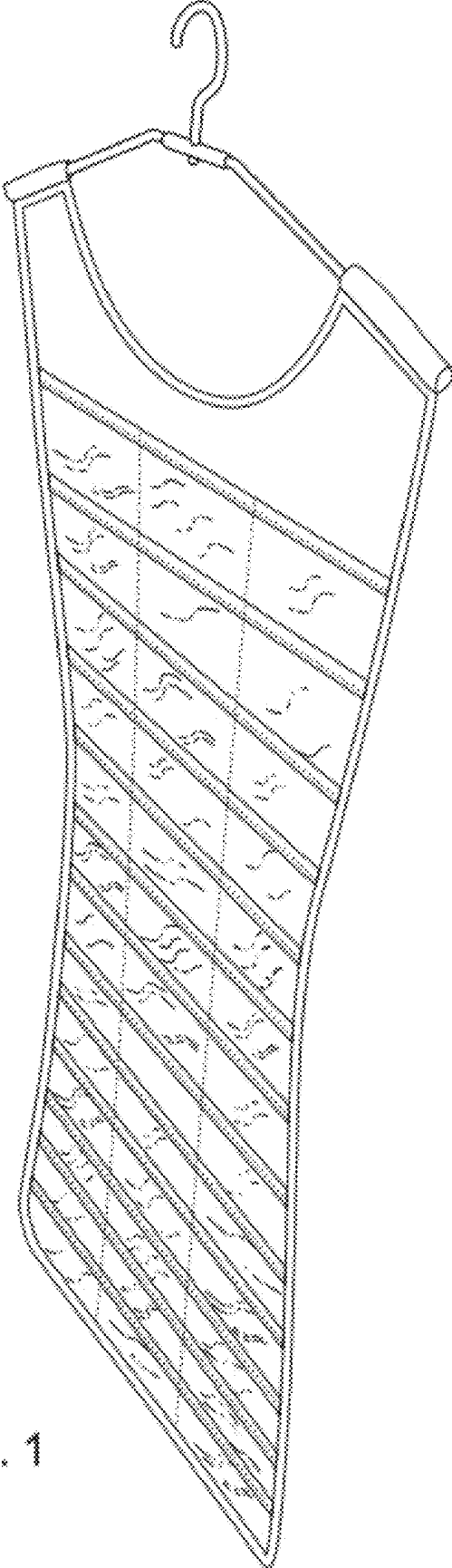


Fig. 1

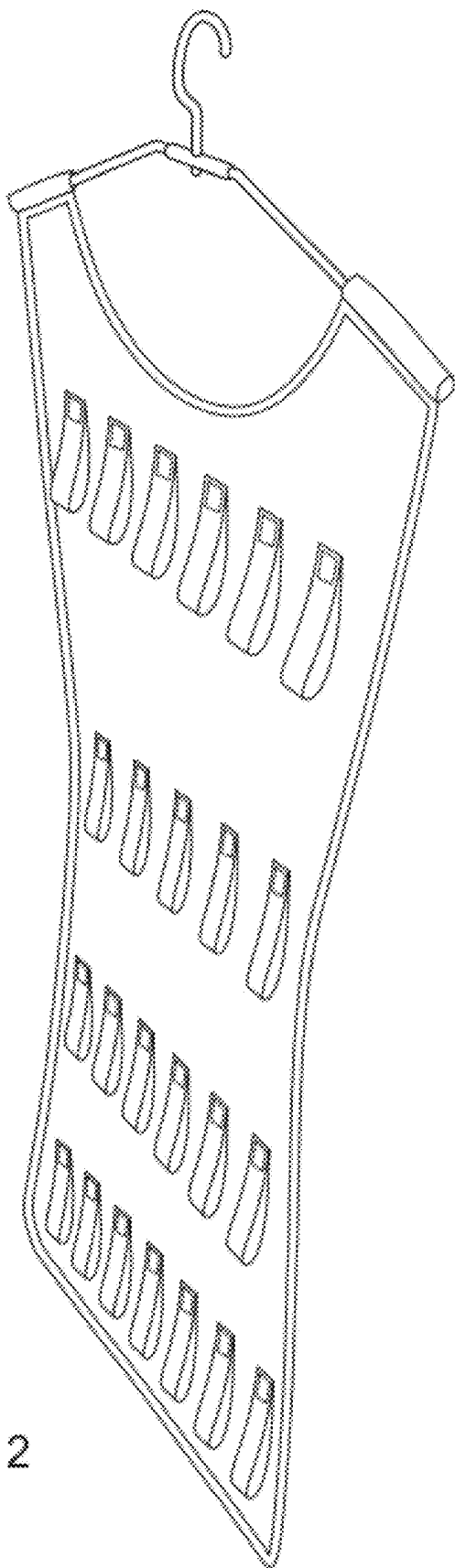


Fig. 2

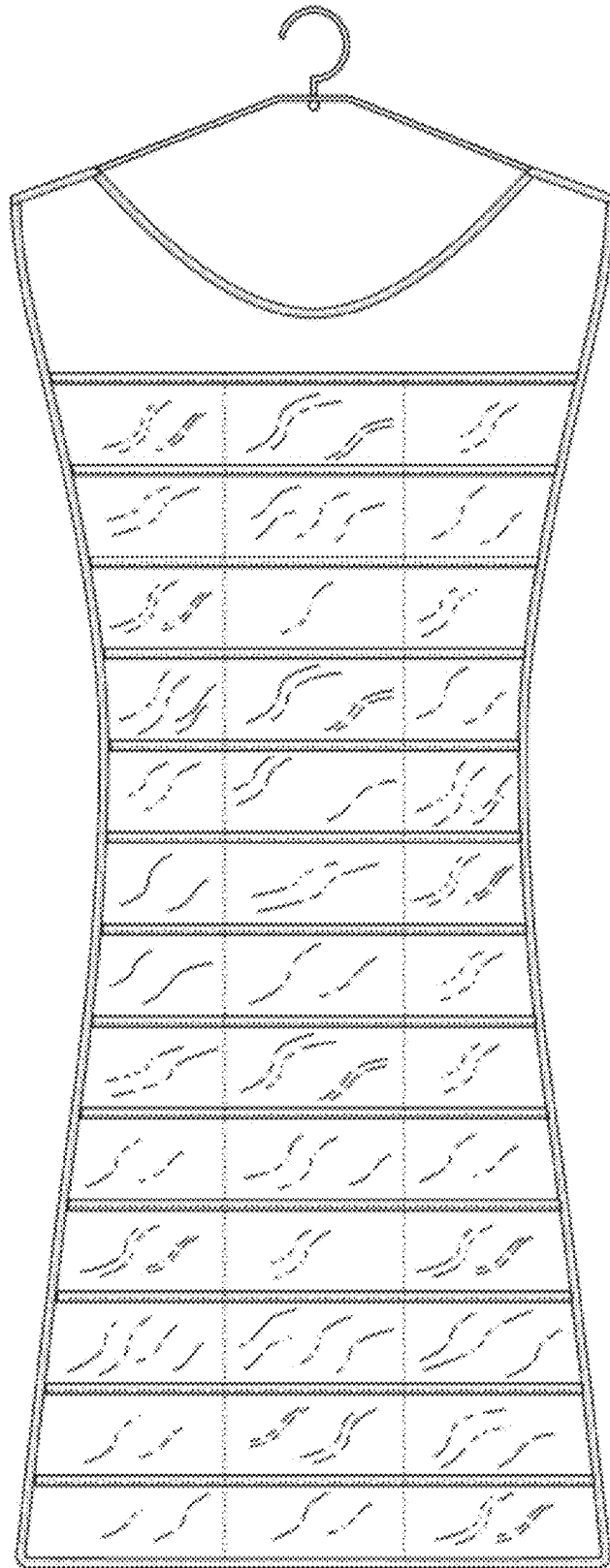


Fig. 3

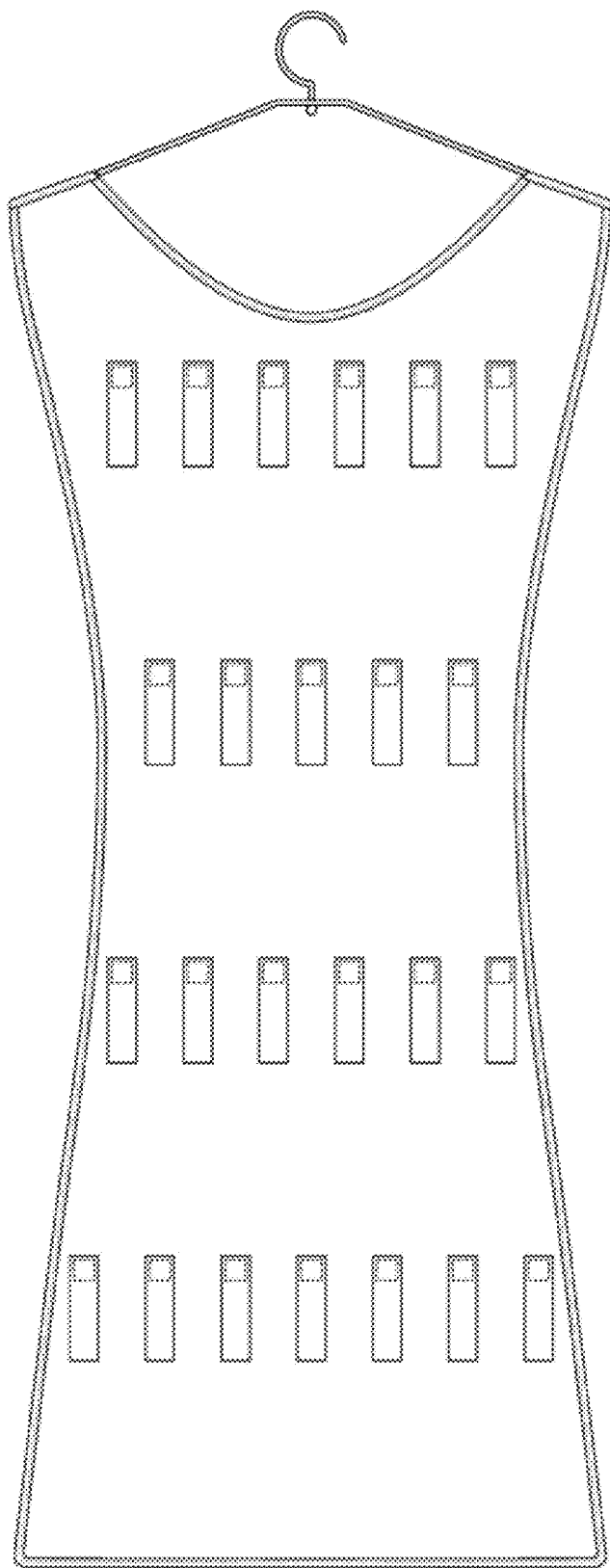


Fig. 4



Fig. 5



Fig. 6



Fig. 7



Fig. 8