



US00D667190S

(12) **United States Design Patent**
Miller

(10) **Patent No.:** **US D667,190 S**

(45) **Date of Patent:** **** Sep. 11, 2012**

(54) **DISH RACK**

(75) Inventor: **Helen T. Miller**, Toronto (CA)

(73) Assignee: **Umbra LLC**, Buffalo, NY (US)

(**) Term: **14 Years**

(21) Appl. No.: **29/423,177**

(22) Filed: **May 29, 2012**

(51) **LOC (9) Cl.** **07-05**

(52) **U.S. Cl.** **D32/55**

(58) **Field of Classification Search** D32/55,
D32/276, 3; D6/510, 525; D30/133; 211/41.5,
211/41.4, 41.3, 41.8; 361/679.4; 312/311,
312/333, 334.4; D7/354, 629

See application file for complete search history.

(56) **References Cited**

U.S. PATENT DOCUMENTS

D35,670 S *	2/1902	Eustis	D32/55
D188,864 S *	9/1960	Stansbury, Jr. et al.	D32/55
D224,133 S *	7/1972	Swett	D32/55
D261,602 S *	11/1981	Anderson	D32/55
D268,959 S *	5/1983	Troy	D32/55

5,158,184 A *	10/1992	Craft et al.	211/41.3
D345,834 S *	4/1994	Craft et al.	D32/55
D586,061 S *	2/2009	Curtin	D32/55
D599,069 S *	8/2009	Curtin	D32/55
D624,721 S *	9/2010	Curtin	D32/55
D651,779 S *	1/2012	Balkum	D32/55

* cited by examiner

Primary Examiner — Austin Murphy

(74) *Attorney, Agent, or Firm* — Simpson & Simpson, PLLC

(57) **CLAIM**

The ornamental design for a dish rack, as shown and described.

DESCRIPTION

FIG. 1 is a front top perspective view of the present invention dish rack;

FIG. 2 is a front elevational view of the invention;

FIG. 3 is a rear elevational view of the invention;

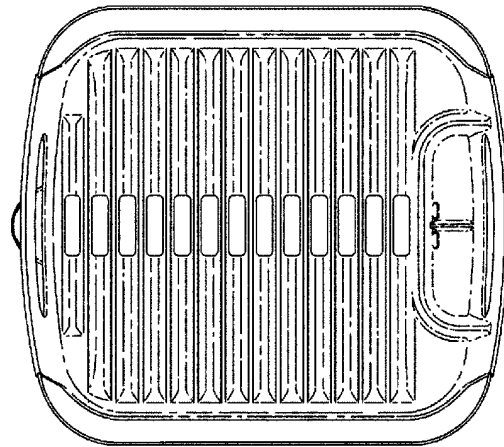
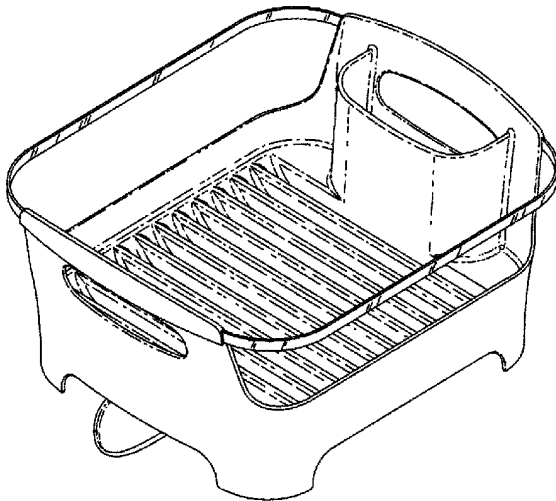
FIG. 4 is a left side elevational view of the invention;

FIG. 5 is a right side elevational view of the invention;

FIG. 6 is a top plan view of the invention; and,

FIG. 7 is a bottom plan view of the invention.

1 Claim, 7 Drawing Sheets



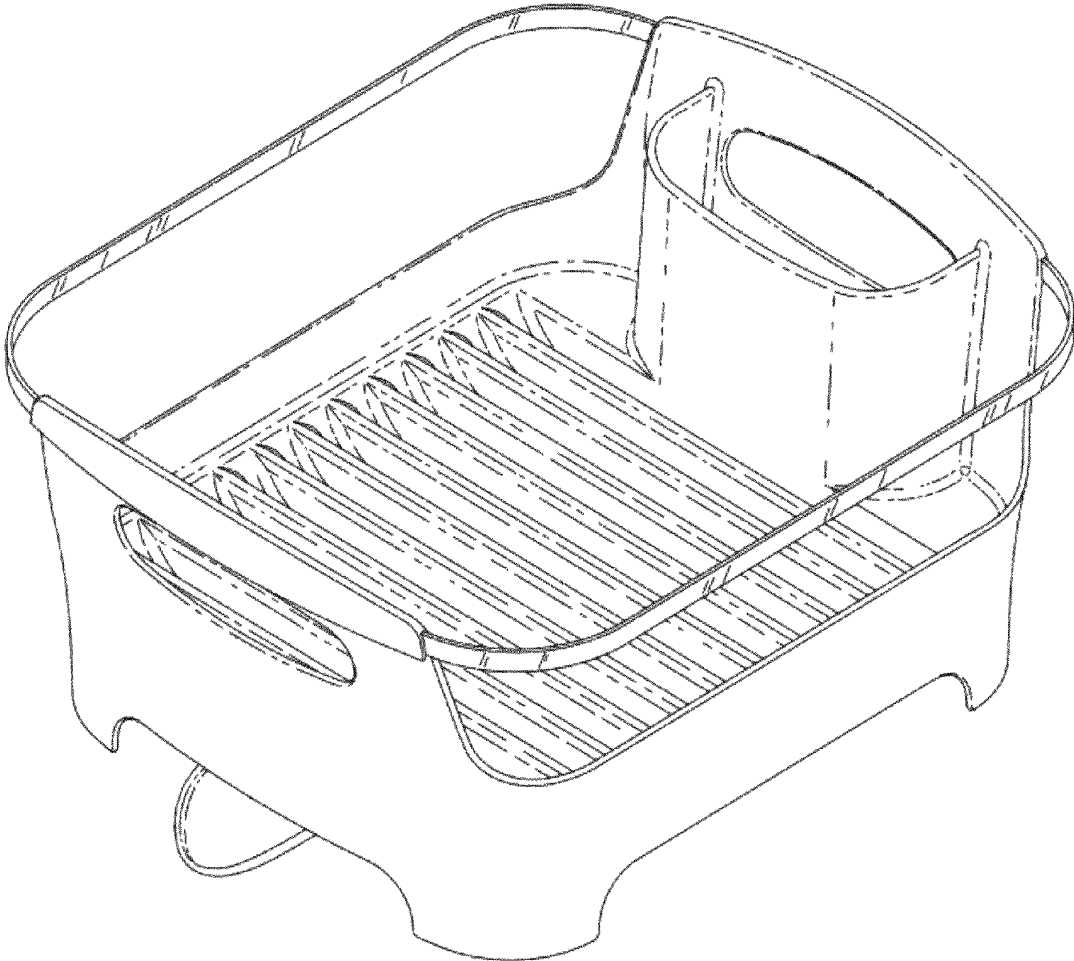


Fig. 1

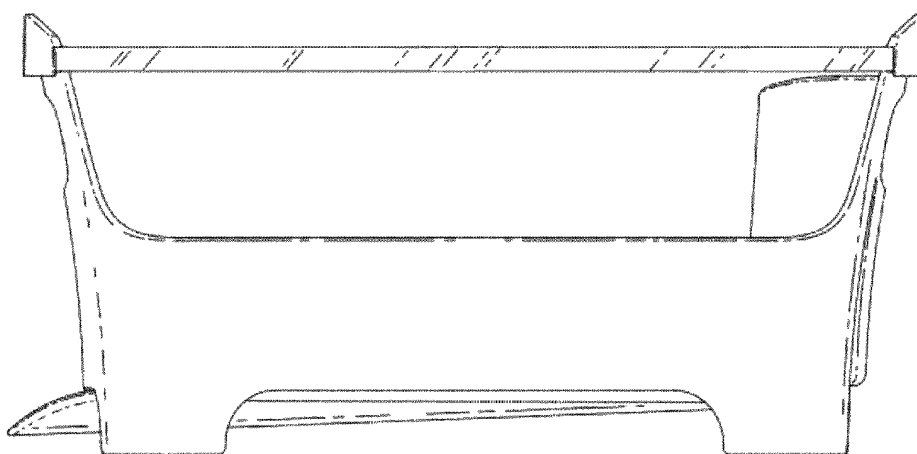


Fig. 2

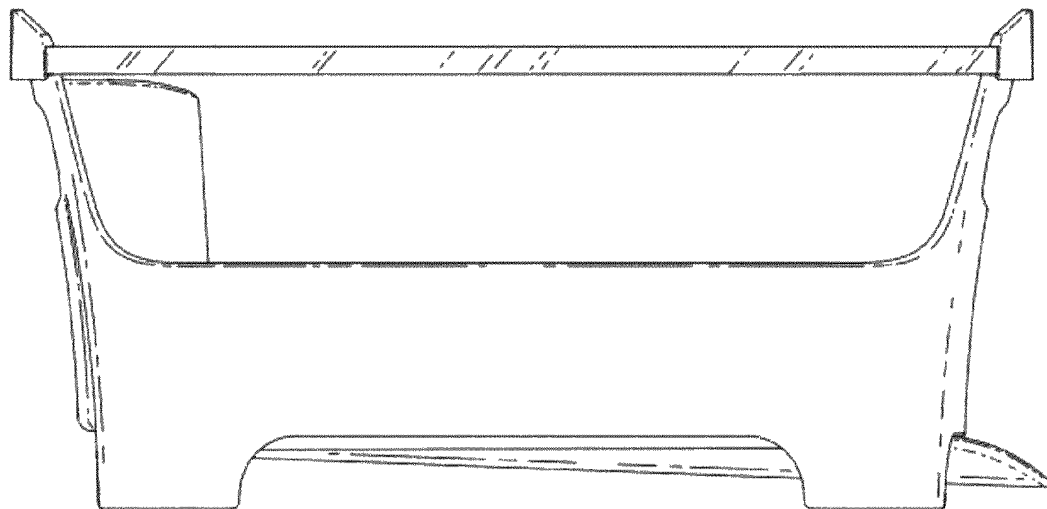


Fig. 3

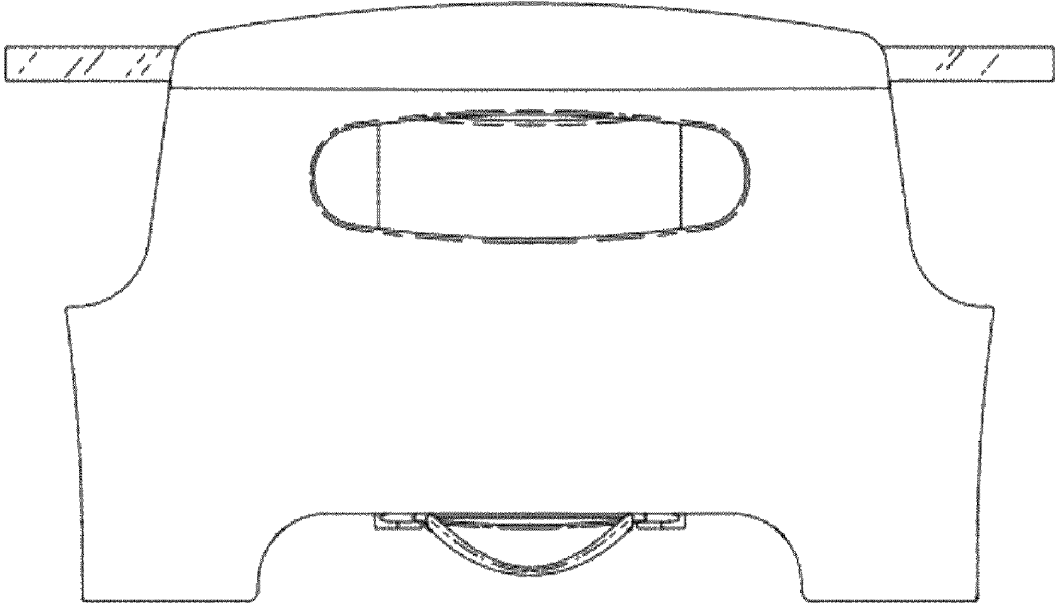


Fig. 4

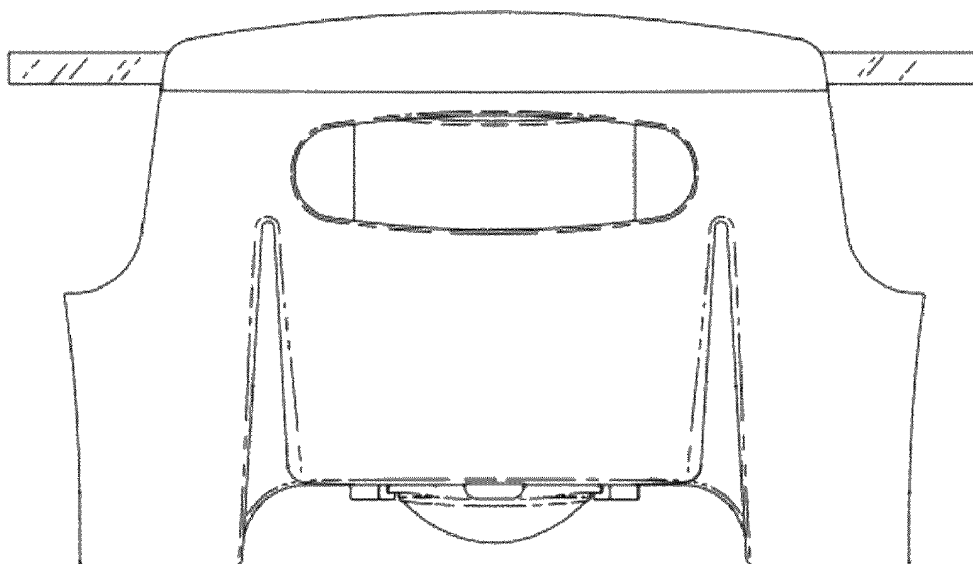


Fig. 5

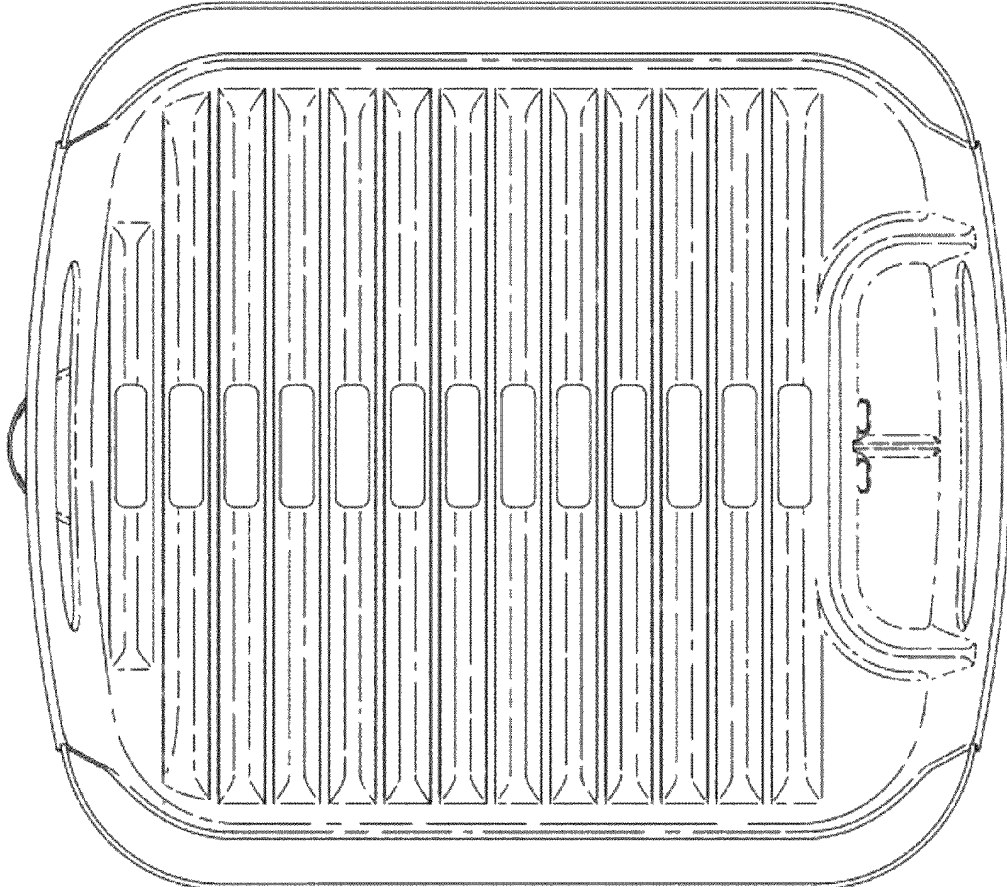


Fig. 6

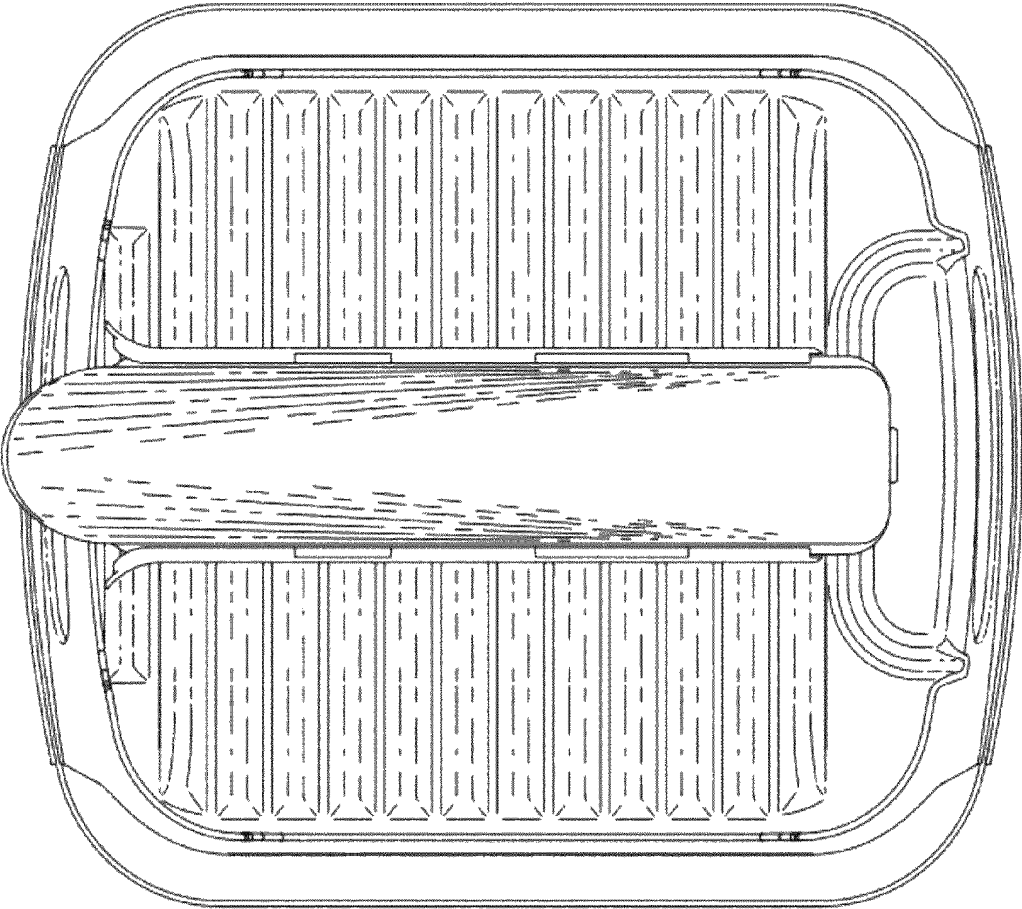


Fig. 7