



US00D672783S

(12) **United States Design Patent**  
**Robinson**

(10) **Patent No.:** **US D672,783 S**

(45) **Date of Patent:** **\*\* Dec. 18, 2012**

(54) **TABLET COMPUTER STAND**

(76) Inventor: **Walter Robert Robinson**, Buffalo, NY  
(US)

(\*\*) Term: **14 Years**

(21) Appl. No.: **29/426,189**

(22) Filed: **Jul. 2, 2012**

(51) **LOC (9) Cl.** ..... **08-07**

(52) **U.S. Cl.** ..... **D14/447**

(58) **Field of Classification Search** ..... D14/447,  
D14/432, 434, 433, 439, 440, 448, 451, 452,  
D14/457, 460, 217, 239, 238.1, 250, 251,  
D14/253; D13/107, 108; D3/218; D6/406.1,  
D6/406.3, 406.4, 406.5, 406.6, 419, 420,  
D6/429; 361/679.02, 679.09, 679.19, 679.21,  
361/679.22, 679.23, 679.26, 679.27, 679.3,  
361/679.55, 679.56, 679.6; 248/917-924,  
248/136, 150, 152, 153, 371, 166, 176.1,  
248/176.3, 188.6, 676, 678, 441.1, 444.1,  
248/447, 447.1, 447.2, 451, 454, 455, 456,  
248/460, 463, 465.1

See application file for complete search history.

(56) **References Cited**

U.S. PATENT DOCUMENTS

1,203,659	A	11/1916	Smith	
2,374,409	A	4/1945	Brennan	
3,381,928	A	5/1968	White	
D244,331	S	5/1977	Woods	
D249,532	S	9/1978	Cudahy, III et al.	
4,618,119	A	10/1986	Powell	
4,709,895	A *	12/1987	Mardak	248/460
D328,314	S *	7/1992	MacEwan	D19/91
D328,985	S *	9/1992	Sheldon	D6/406.4
5,290,002	A	3/1994	Cohen	
5,651,525	A	7/1997	Yang	
5,810,316	A	9/1998	Eby	
D440,787	S *	4/2001	Prindle	D6/419
D480,088	S	9/2003	Bakker et al.	
D513,008	S *	12/2005	Takizawa et al.	D14/447

7,333,327	B1	2/2008	Ho et al.	
D564,763	S *	3/2008	Yue	D6/313
7,775,356	B2 *	8/2010	Palmer	206/320
7,828,260	B2 *	11/2010	Hauser et al.	248/456
D639,816	S *	6/2011	Bau	D14/447
D651,213	S *	12/2011	Magness et al.	D14/447
D656,500	S	3/2012	Mariyama et al.	
D665,812	S *	8/2012	Huang et al.	D14/447
2006/0192070	A1	8/2006	Chan	
2009/0179132	A1	7/2009	Qin et al.	
2010/0294909	A1	11/2010	Hauser et al.	
2011/0108696	A1 *	5/2011	Ye	248/371
2011/0180682	A1	7/2011	Tarnutzer et al.	
2012/0138766	A1 *	6/2012	Chen	248/456

FOREIGN PATENT DOCUMENTS

JP 10154041 6/1998

\* cited by examiner

*Primary Examiner* — Angela J Lee

(74) *Attorney, Agent, or Firm* — Simpson & Simpson, PLLC

(57) **CLAIM**

The ornamental design for a tablet computer stand, as shown and described.

**DESCRIPTION**

FIG. 1 is a front perspective view of a present invention tablet computer stand;

FIG. 2 is a front elevational view of the present invention tablet computer stand;

FIG. 3 is a rear elevational view of the present invention tablet computer stand;

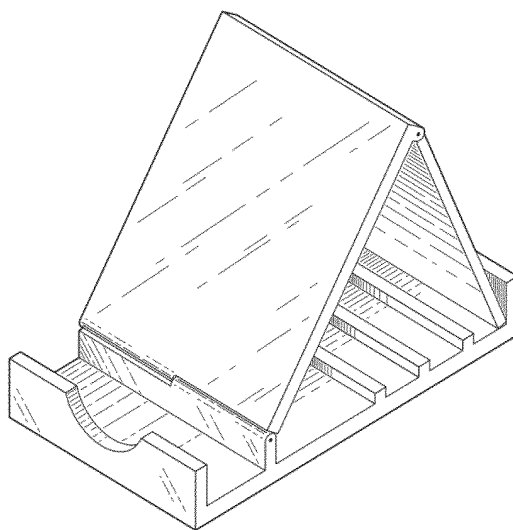
FIG. 4 is a left side elevational view of the present invention tablet computer stand;

FIG. 5 is a right side elevational view of the present invention tablet computer stand;

FIG. 6 is a top plan view of the present invention tablet computer stand; and,

FIG. 7 is a bottom plan view of the present invention tablet computer stand.

**1 Claim, 7 Drawing Sheets**



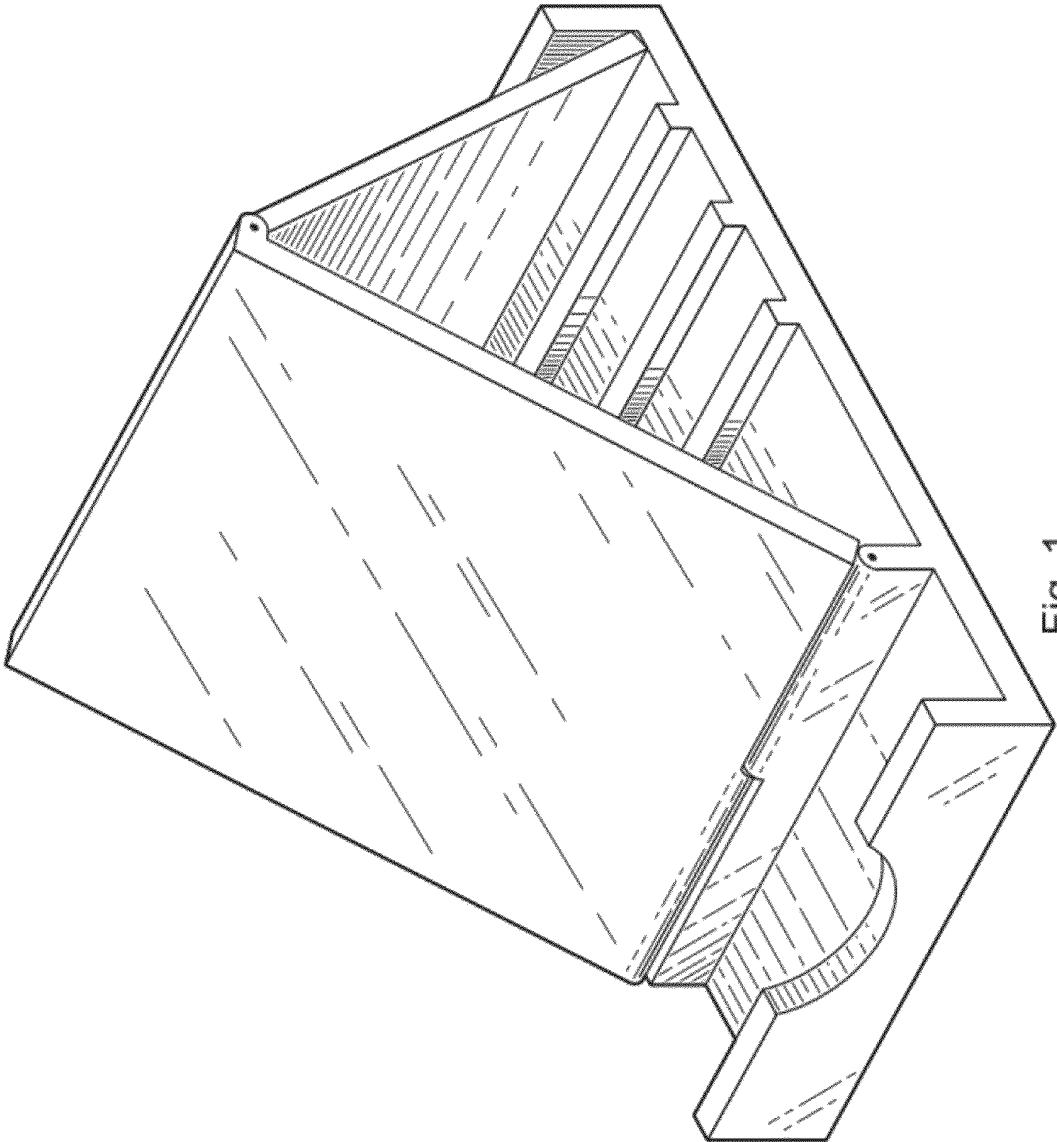


Fig. 1

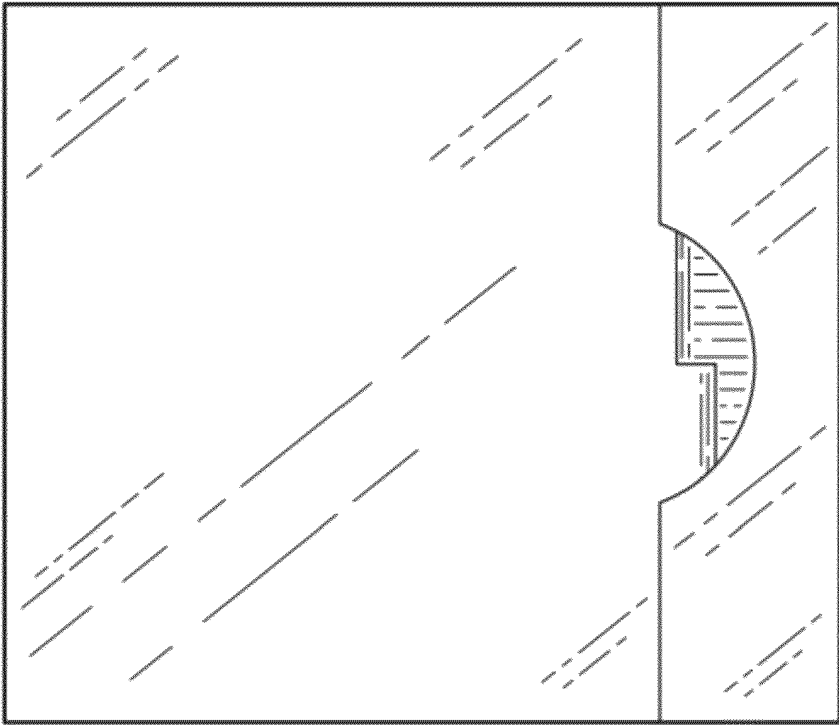


Fig. 2

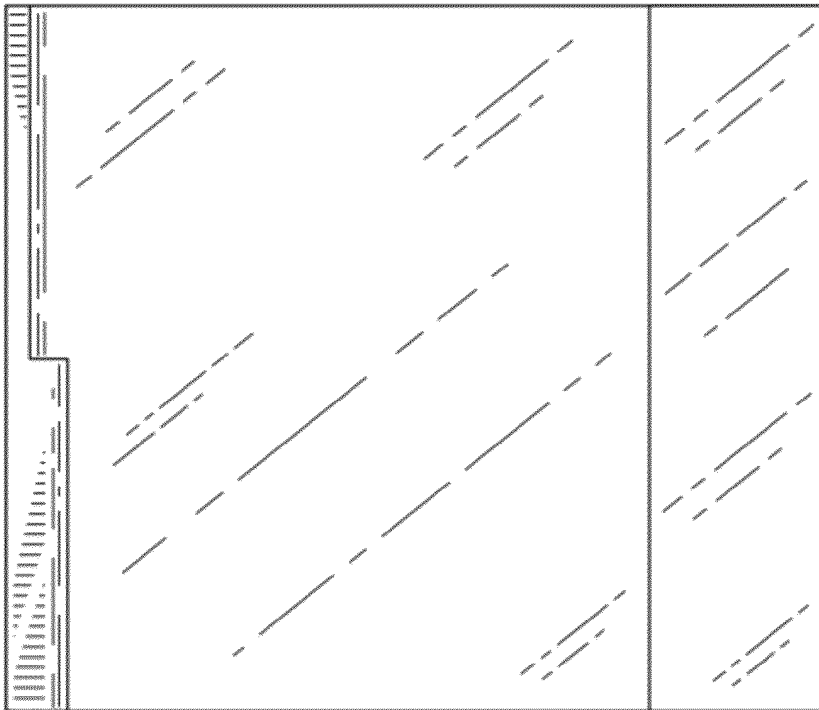


Fig. 3

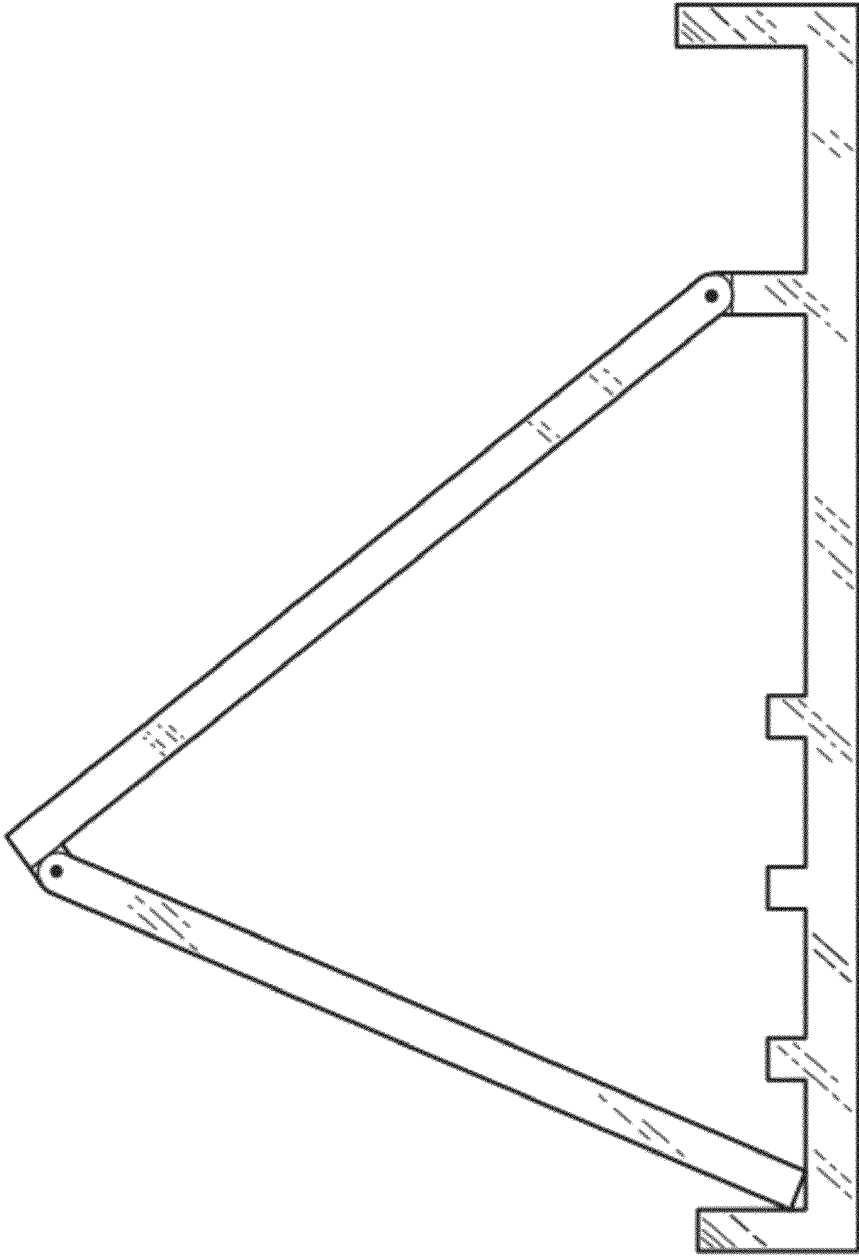


Fig. 4

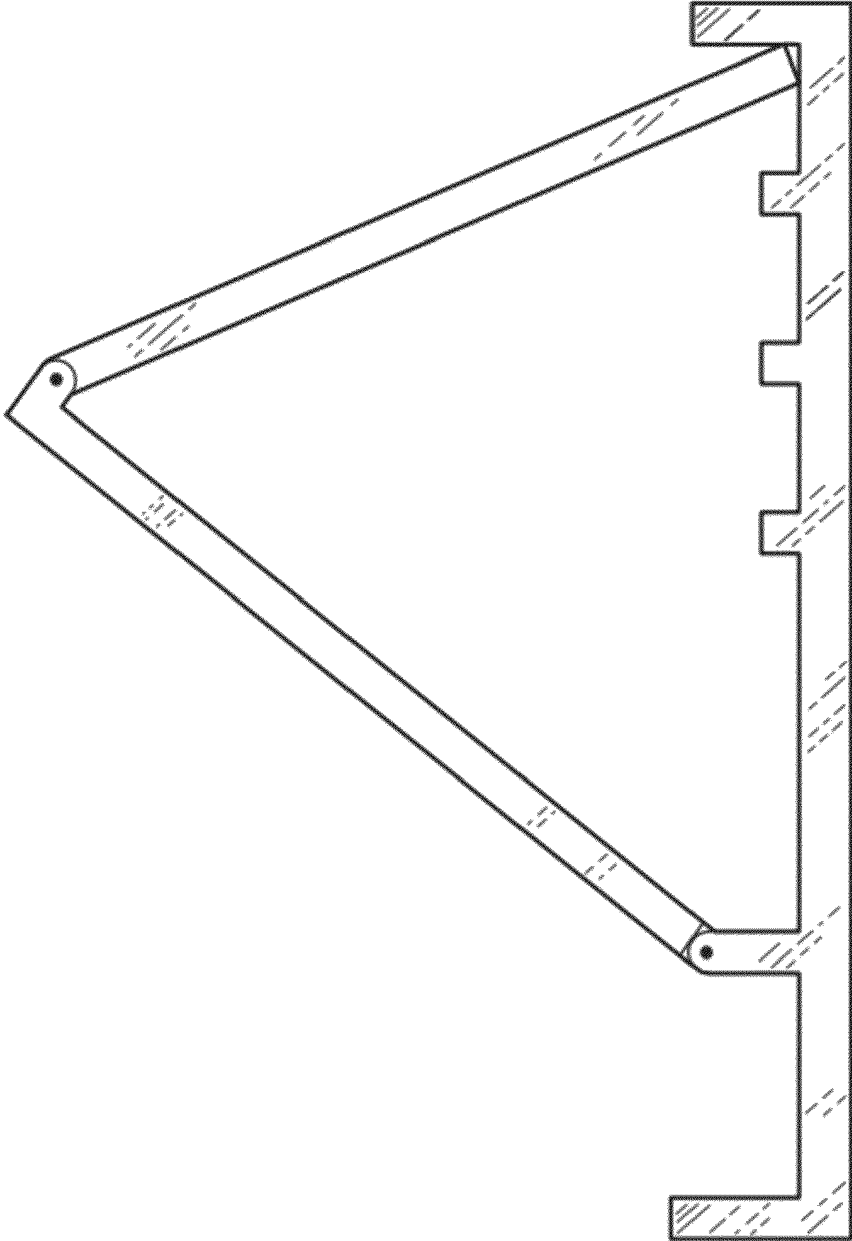


Fig. 5

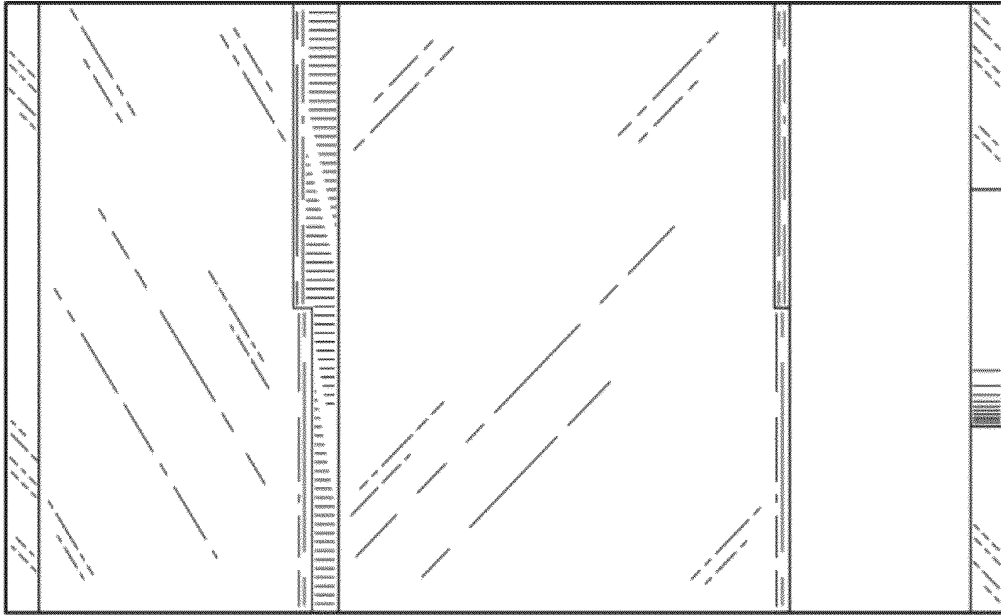


Fig. 6

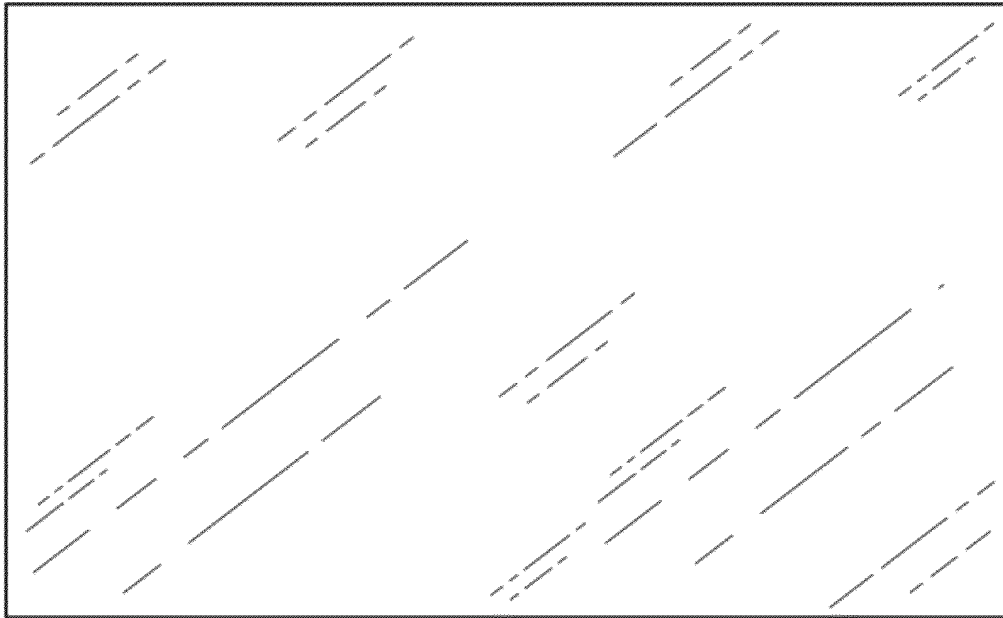


Fig. 7