



US00D677443S

(12) **United States Design Patent**
Urdaneta

(10) **Patent No.:** **US D677,443 S**

(45) **Date of Patent:** **** Mar. 5, 2013**

(54) **DISH RACK**

D647,678 S * 10/2011 Yang et al. D32/55
D651,779 S * 1/2012 Balkum D32/55
D667,190 S * 9/2012 Miller D32/55

(75) Inventor: **Rafael Gonzalez Urdaneta**, Mexico
City (MX)

(73) Assignee: **Umbra LLC**, Buffalo, NY (US)

(**) Term: **14 Years**

(21) Appl. No.: **29/423,350**

(22) Filed: **May 31, 2012**

(51) **LOC (9) Cl.** **07-05**

(52) **U.S. Cl.** **D32/55**

(58) **Field of Classification Search** D32/55,
D32/276, 3; D6/510, 525; D30/133; 211/41.5,
211/41.4, 41.3, 41.8; 361/679.4; 312/311,
312/333, 334.4; D7/354, 629

See application file for complete search history.

OTHER PUBLICATIONS

U.S. Appl. No. 29/423,177, filed May 29, 2012, entitled Dish Rack,
Helen T. Miller.

* cited by examiner

Primary Examiner — Austin Murphy

(74) *Attorney, Agent, or Firm* — Simpson & Simpson, PLLC

(57) **CLAIM**

The ornamental design for a dish rack, as shown and described.

(56) **References Cited**

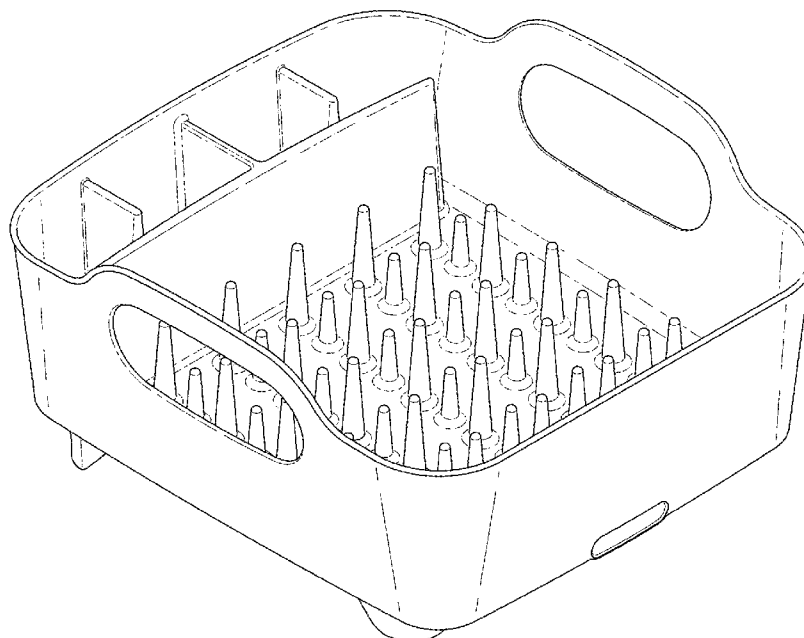
U.S. PATENT DOCUMENTS

D188,864	S	*	9/1960	Stansbury, Jr. et al.	D32/55
3,027,041	A	*	3/1962	Stansbury, Jr. et al.	220/572
D268,959	S	*	5/1983	Troy	D32/55
5,158,184	A	*	10/1992	Craft et al.	211/41.3
D345,834	S	*	4/1994	Craft et al.	D32/55
D374,526	S	*	10/1996	Breen et al.	D32/55
D554,818	S	*	11/2007	Murray	D32/55
D586,061	S	*	2/2009	Curtin	D32/55
D599,069	S	*	8/2009	Curtin	D32/55
D624,721	S	*	9/2010	Curtin	D32/55

DESCRIPTION

FIG. 1 is a front top perspective view of the present invention dish rack;
FIG. 2 is a front elevational view of the invention;
FIG. 3 is a rear elevational view of the invention;
FIG. 4 is a right side elevational view of the invention;
FIG. 5 is a left side elevational view of the invention;
FIG. 6 is a top plan view of the invention; and,
FIG. 7 is a bottom plan view of the invention.

1 Claim, 7 Drawing Sheets



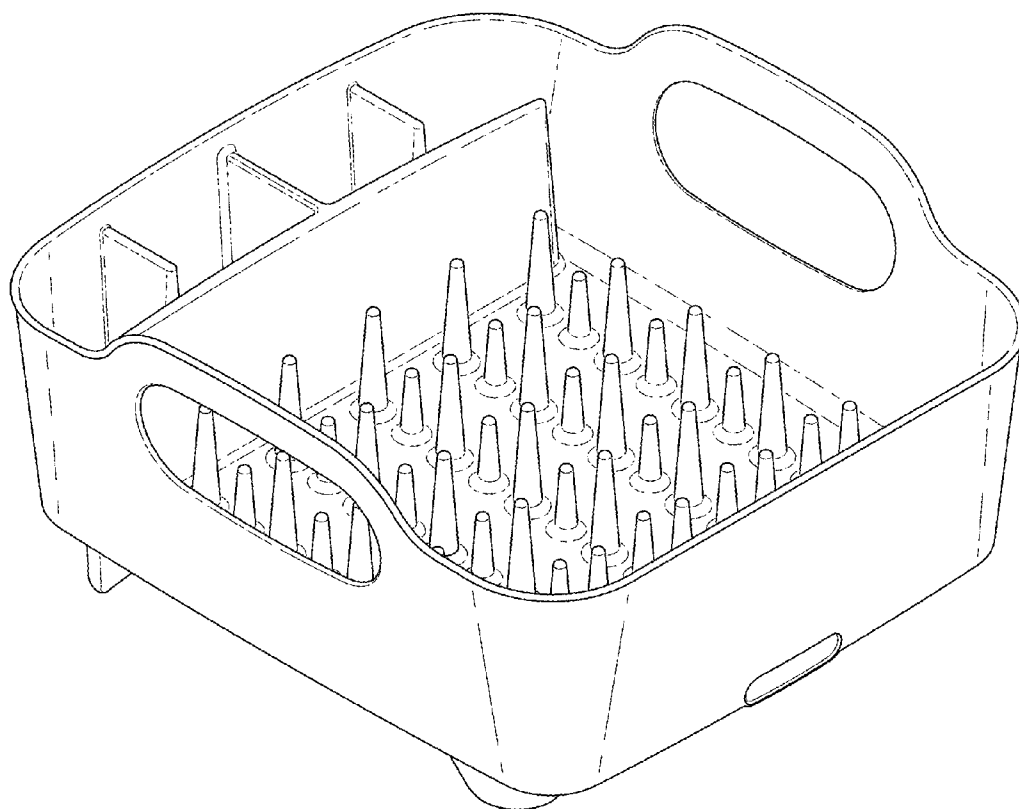


Fig. 1

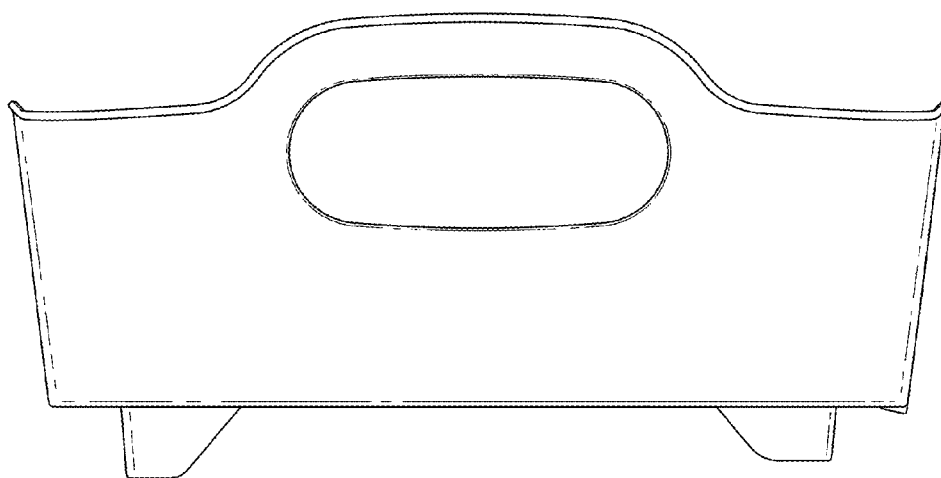


Fig. 2

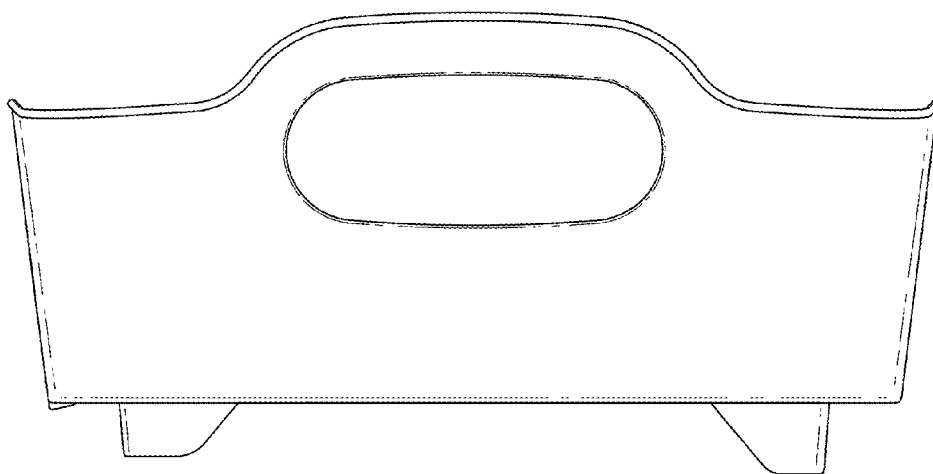


Fig. 3

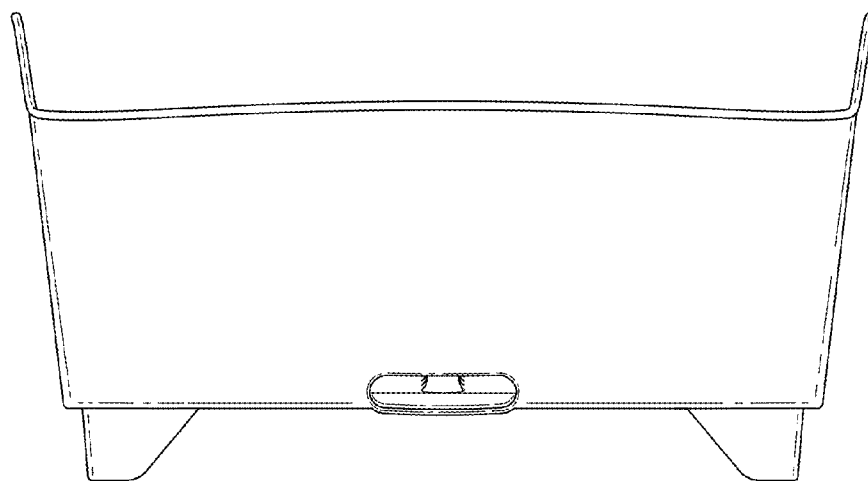


Fig. 4

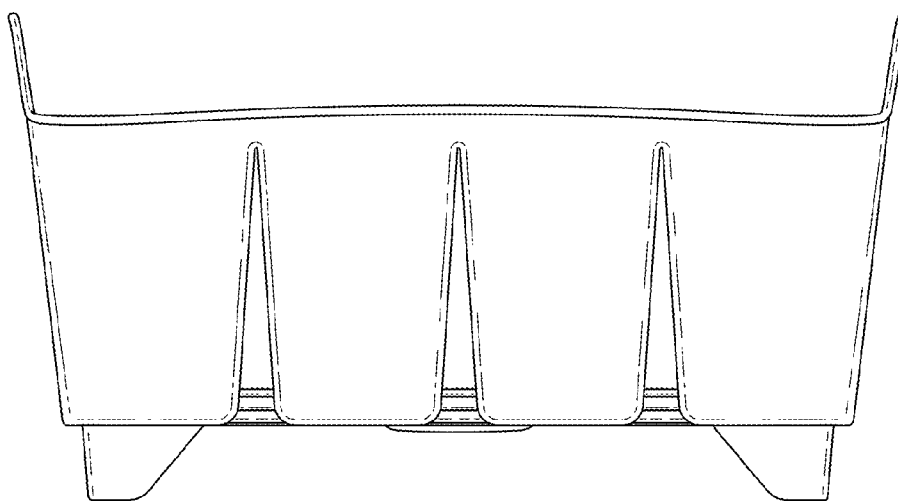


Fig. 5

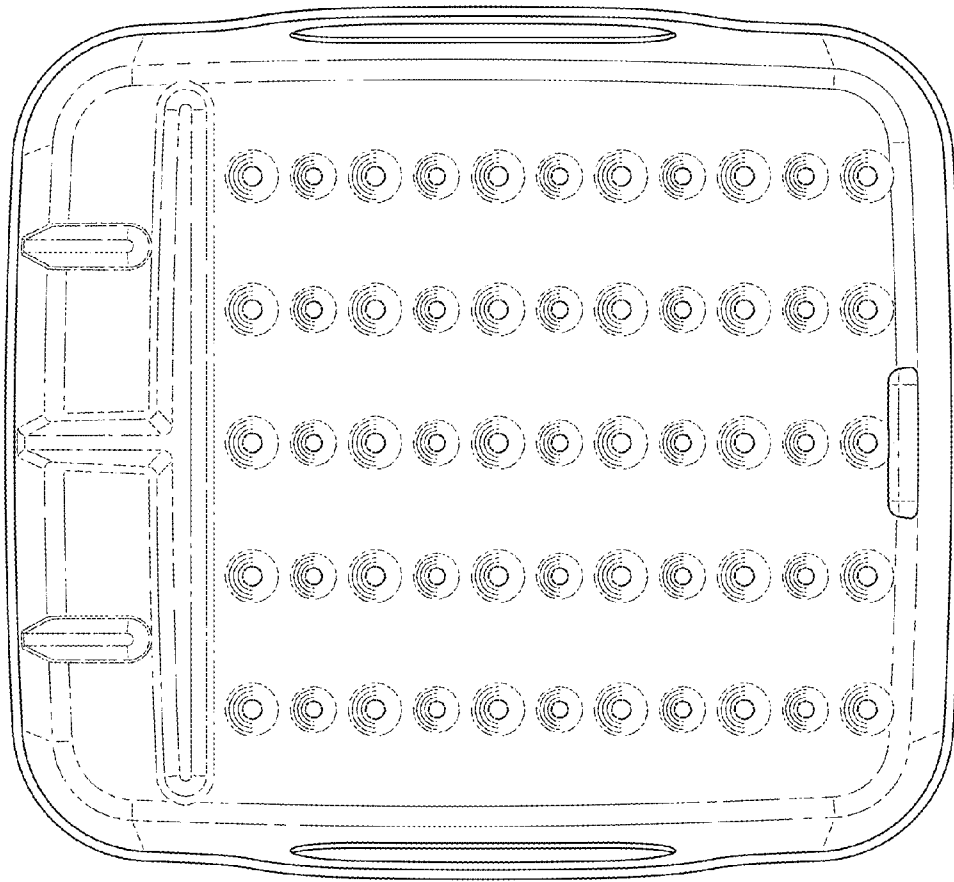


Fig. 6

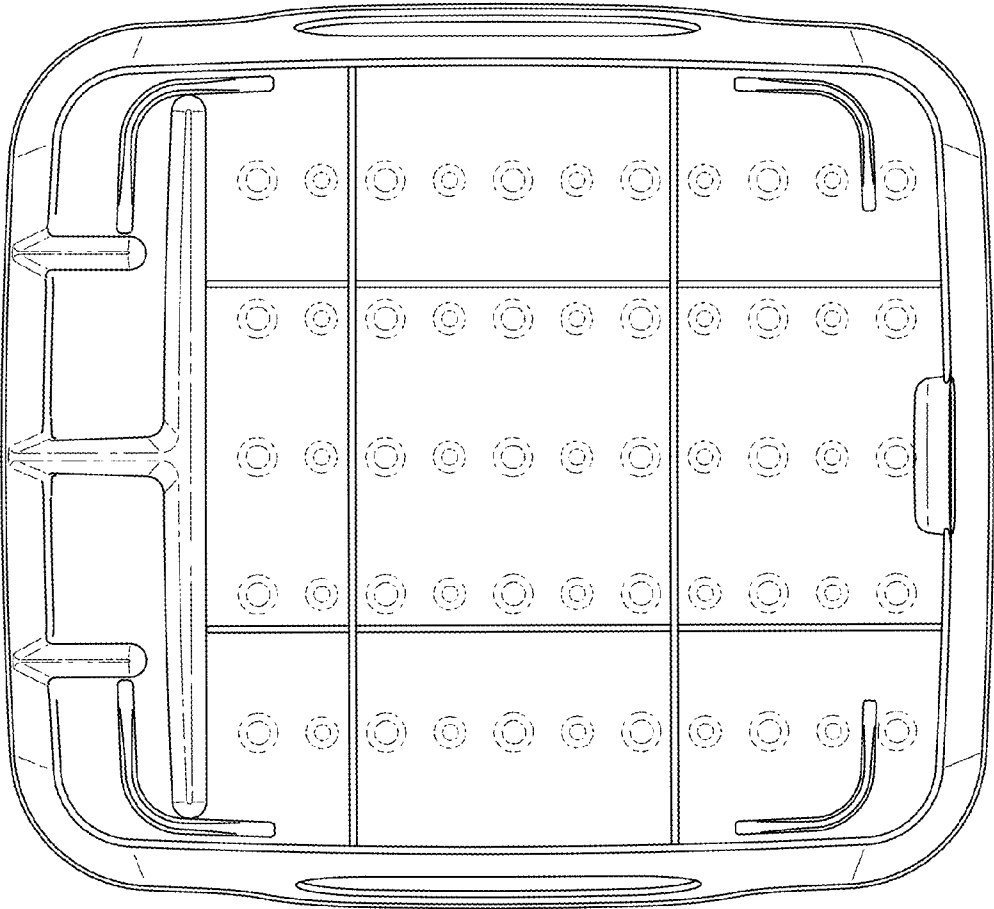


Fig. 7