



US00D679145S

(12) **United States Design Patent**
Wisniewski

(10) **Patent No.:** **US D679,145 S**

(45) **Date of Patent:** **** Apr. 2, 2013**

(54) **SALT AND PEPPER SHAKER SET**

(75) Inventor: **Alan Wisniewski**, Stouffville (CA)

(73) Assignee: **Umbra LLC**, Buffalo, NY (US)

(**) Term: **14 Years**

(21) Appl. No.: **29/423,016**

(22) Filed: **May 25, 2012**

(51) **LOC (9) Cl.** **07-06**

(52) **U.S. Cl.** **D7/594**

(58) **Field of Classification Search** D7/590–599,
D7/317, 372, 373, 401.1, 517, 506, 514, 515,
D7/516, 520, 613; D9/500, 503, 505, 515,
D9/549, 559, 574, 575, 627, 628, 905;
222/142.1–142.9, 450–452, 480; 241/169,
241/169.1, 169.2; D21/576, 577, 590, 594,
D21/595, 621

See application file for complete search history.

(56) **References Cited**

U.S. PATENT DOCUMENTS

D79,106	S	*	7/1929	Scroggs	D7/595
D91,555	S	*	2/1934	Dulany	D7/592
D95,311	S	*	4/1935	Braun	D7/595
2,028,870	A	*	1/1936	Jennings	222/173
D104,135	S	*	4/1937	Fuerst	D7/597
D126,415	S	*	4/1941	Karoff	D9/627
D158,943	S	*	6/1950	Dokus et al.	D7/595
D311,664	S	*	10/1990	Stevens, Jr.	D7/591
D336,728	S	*	6/1993	Ancona et al.	D7/591
D429,450	S	*	8/2000	Hansen et al.	D7/634
D464,532	S	*	10/2002	Mantilla	D7/594

OTHER PUBLICATIONS

Woman’s Day—Buddy System, [online], commented on Oct. 29, 2012, retrieved on Nov. 3, 2012. Retrieved from, <URL: <http://www.womansday.com/life/holidays/buddy-salt-and-pepper-shakers>>, 1 page.*
Shakers—Salt and Pepper Men, [online], retrieved on Nov. 8, 2012. Retrieved from, <URL: <http://kitchen-goddess.yumsugar.com/tag/shakers>>, 1 page.*

* cited by examiner

Primary Examiner — Ian Simmons

Assistant Examiner — Shannon Weekley

(74) *Attorney, Agent, or Firm* — Simpson & Simpson, PLLC

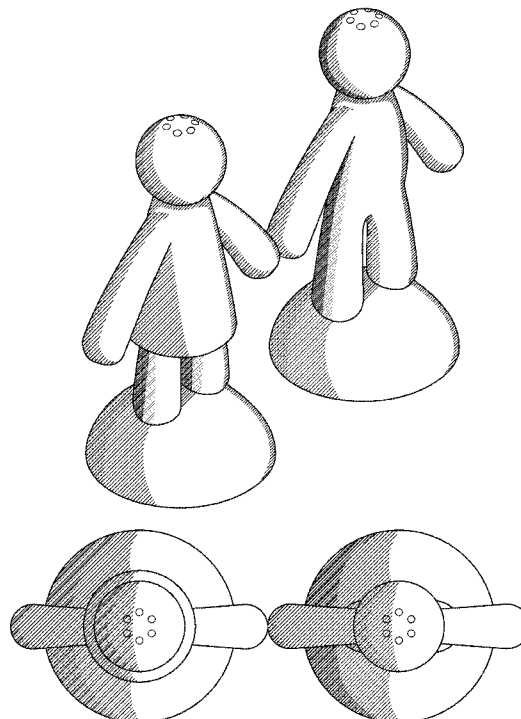
(57) **CLAIM**

The ornamental design for a salt and pepper shaker set, as shown and described.

DESCRIPTION

FIG. 1 is a front perspective view of the present invention salt and pepper shaker set, shown in an attached position; FIG. 2 is a front elevational view of the invention; FIG. 3 is a rear elevational view of the invention; FIG. 4 is a left side elevational view of the invention; FIG. 5 is a right side elevational view of the invention; FIG. 6 is a top plan view of the invention; FIG. 7 is a bottom plan view of the invention; and, FIG. 8 is a front perspective view of the invention, shown in a separated position.

1 Claim, 8 Drawing Sheets



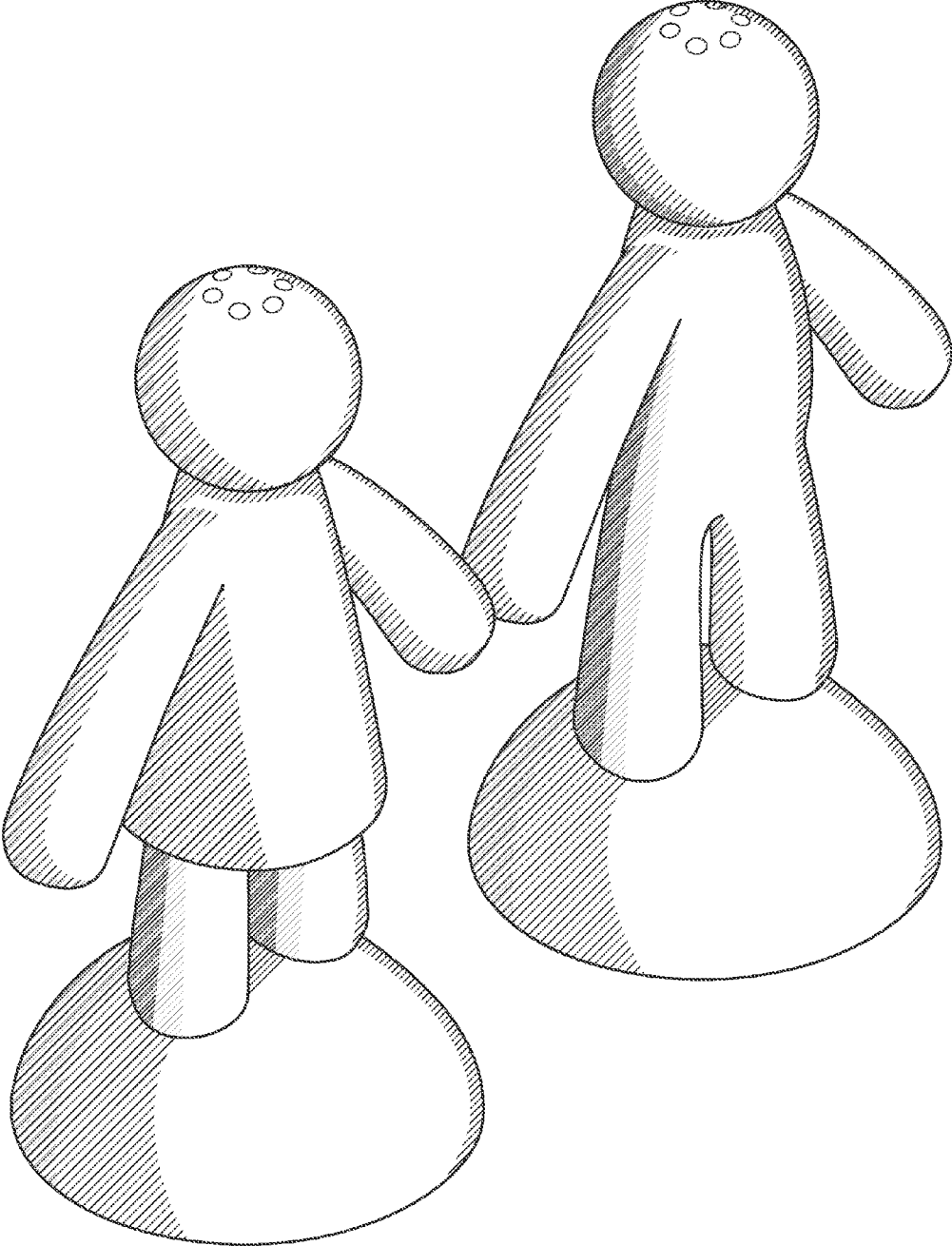


Fig. 1

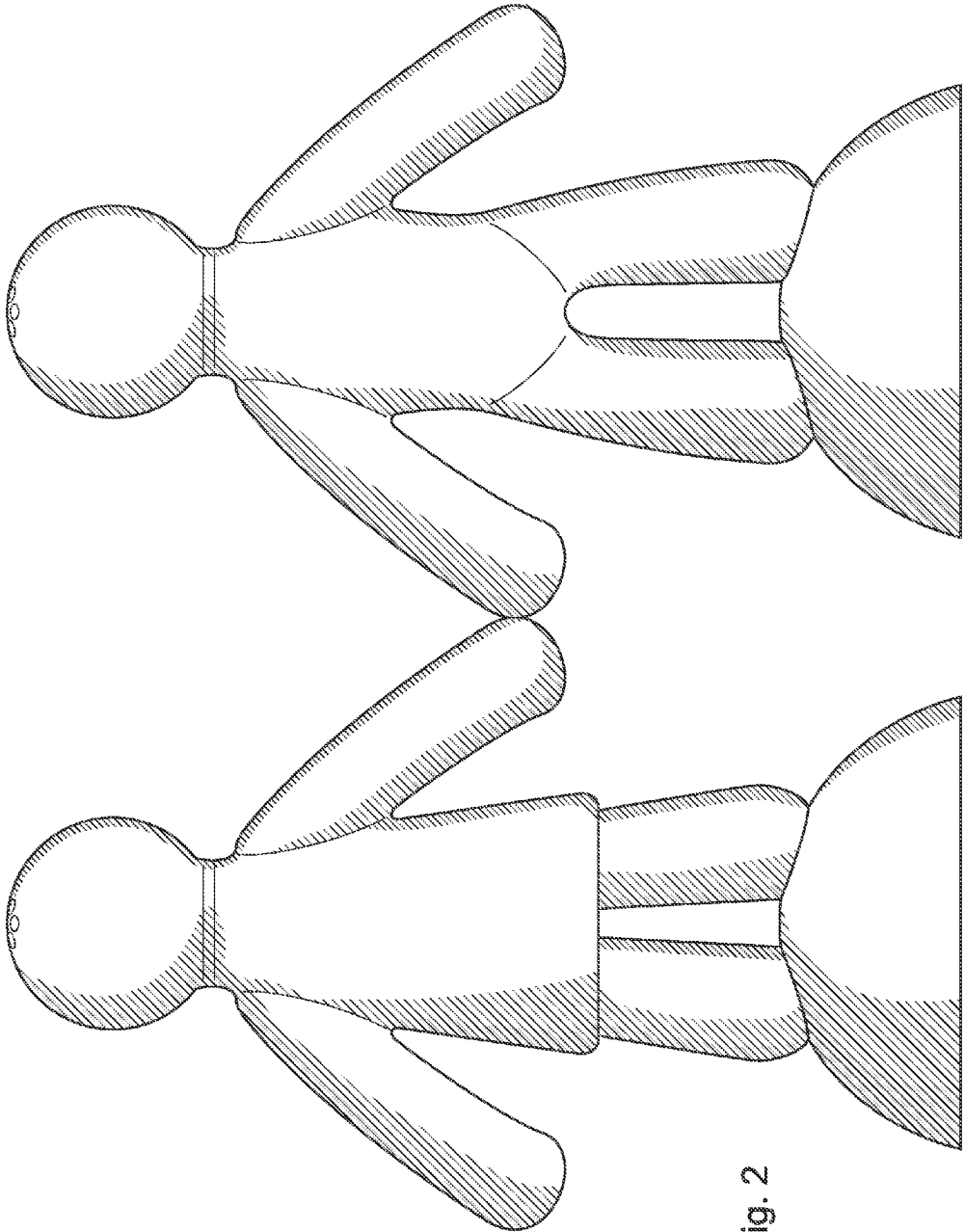


Fig. 2

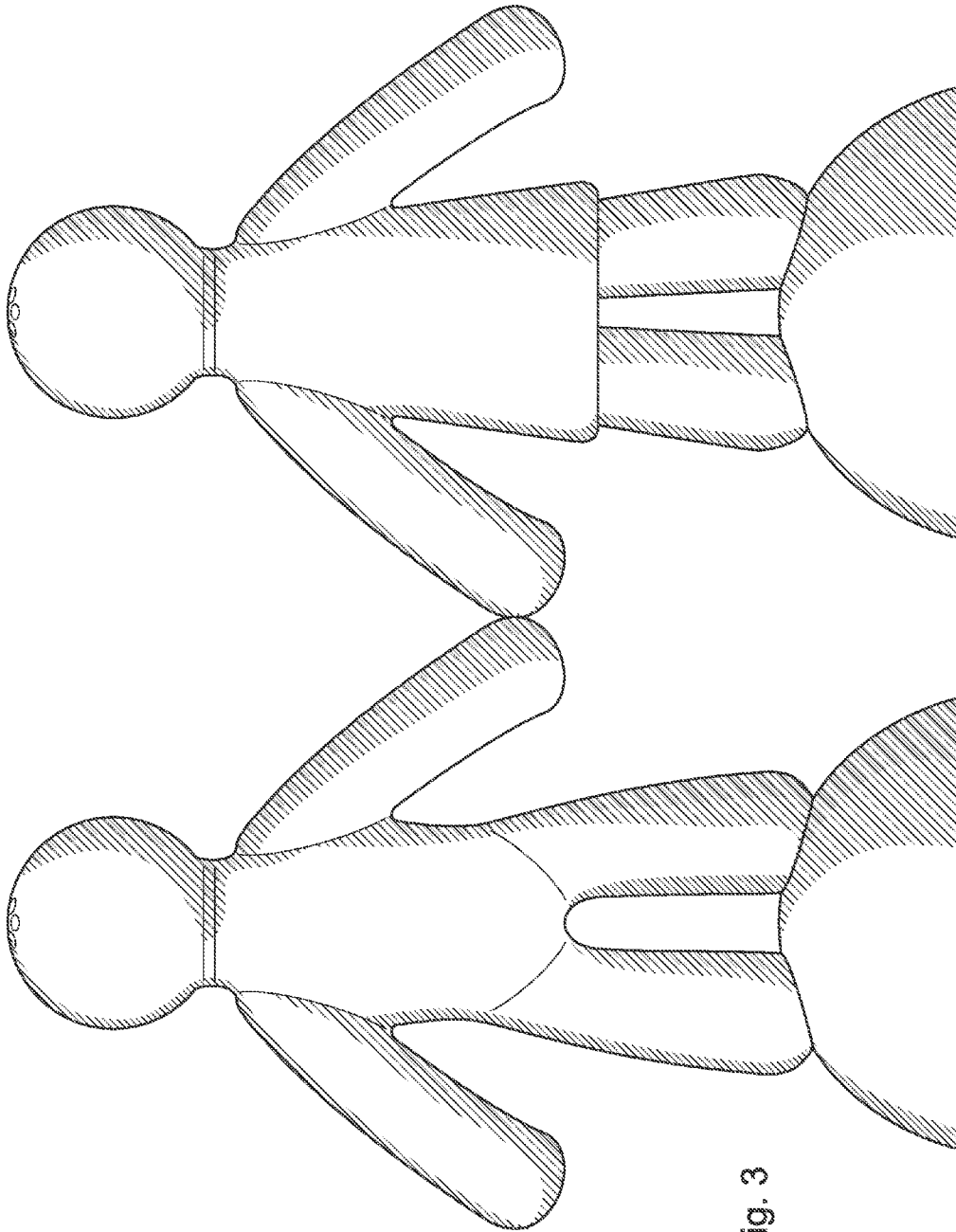


Fig. 3

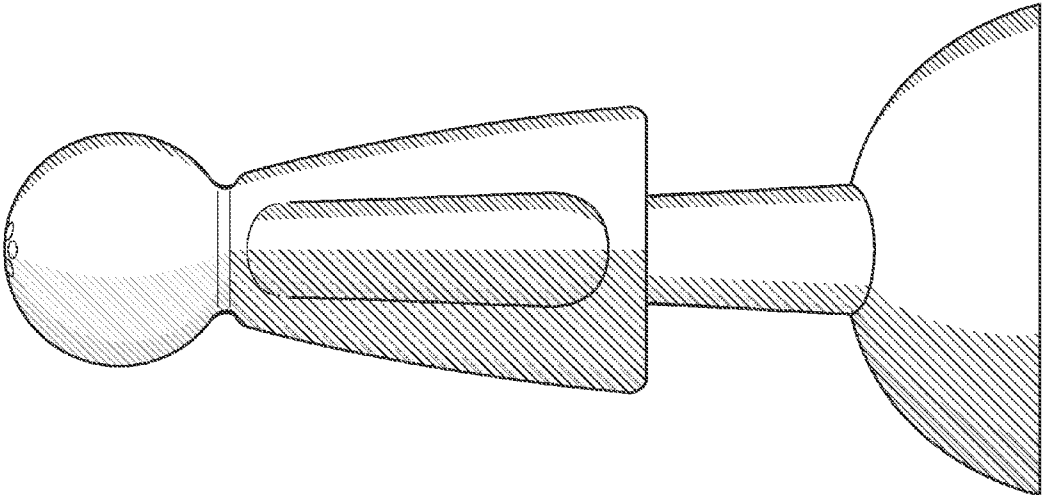


Fig. 4

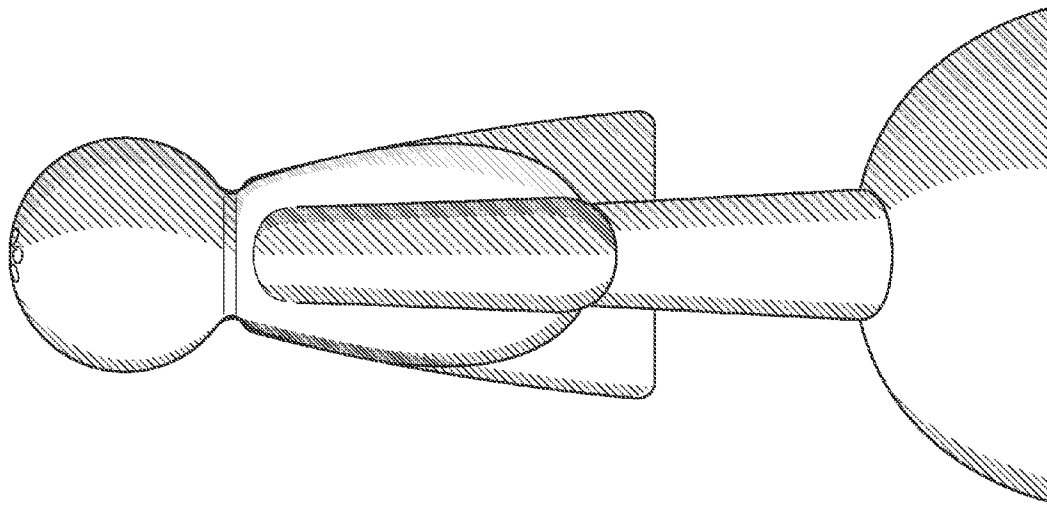


Fig. 5

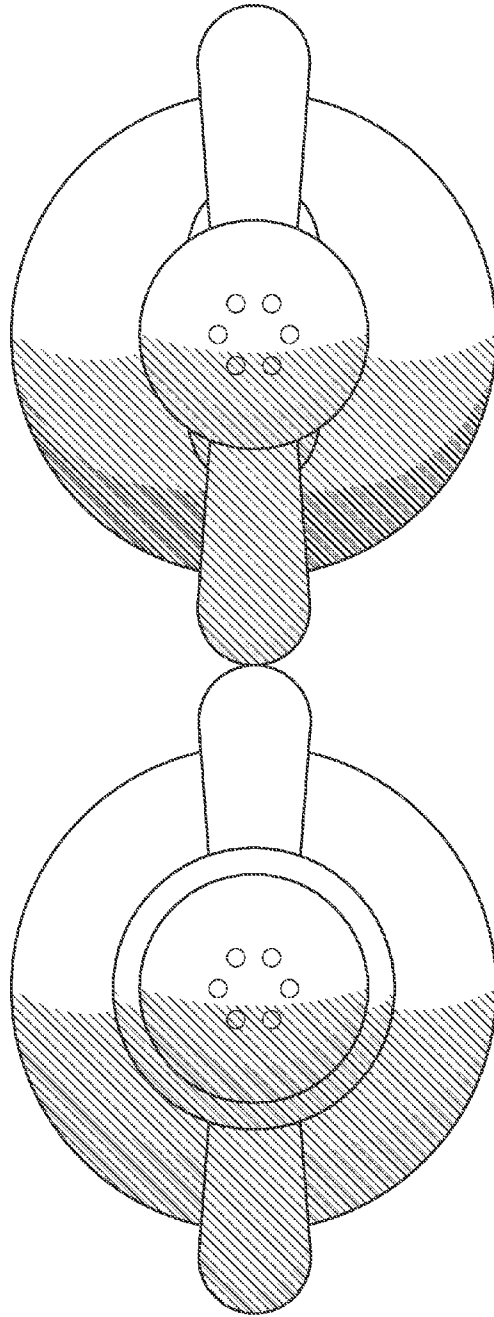


Fig. 6

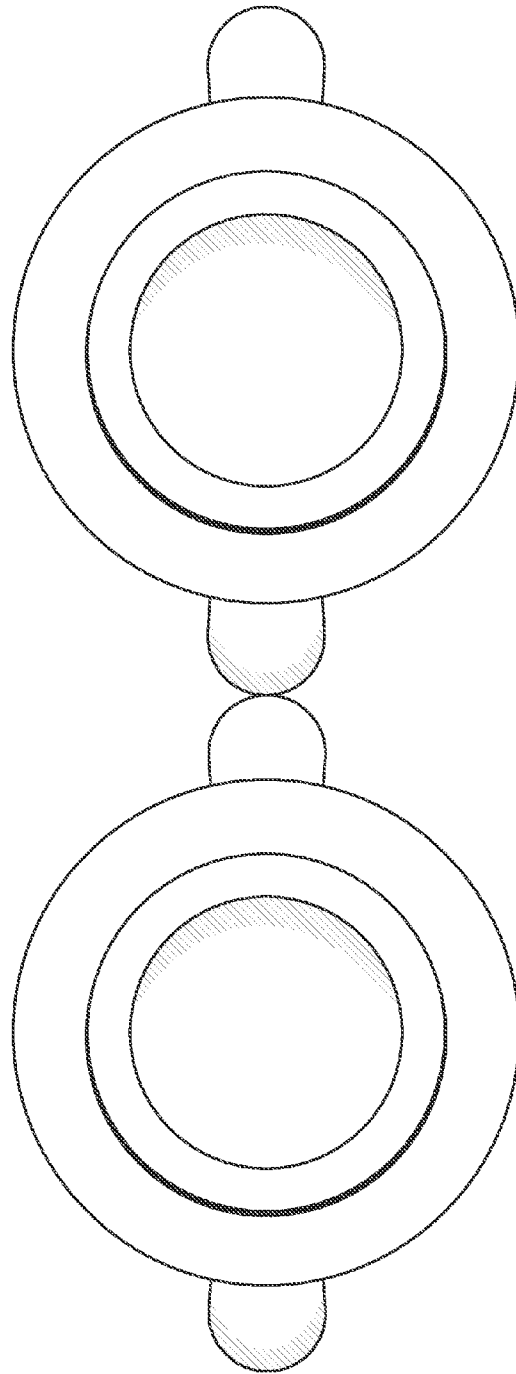


Fig. 7

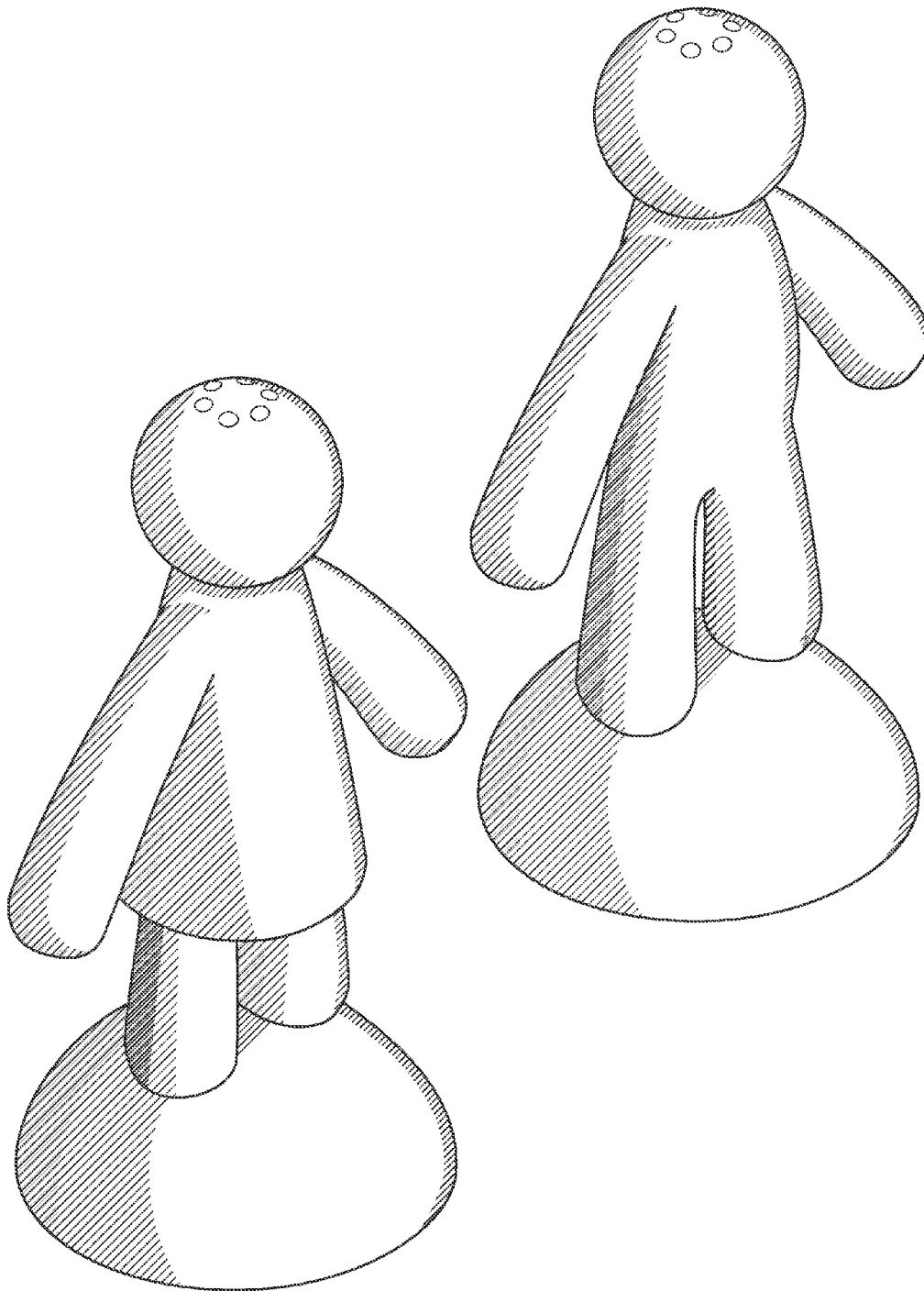


Fig. 8