



(12) **United States Design Patent**
Murphy

(10) **Patent No.:** **US D696,878 S**
(45) **Date of Patent:** **** Jan. 7, 2014**

- (54) **SHOE RACK ASSEMBLY**
- (71) Applicant: **Umbra LLC**, Buffalo, NY (US)
- (72) Inventor: **Jordan Murphy**, Toronto (CA)
- (73) Assignee: **Umbra LLC**, Buffalo, NY (US)
- (**) Term: **14 Years**
- (21) Appl. No.: **29/454,813**

6,318,570	B1 *	11/2001	Mueller et al.	211/181.1
D505,574	S	5/2005	Sexton	
D532,653	S	11/2006	Molayem	
D547,093	S *	7/2007	Butters	D6/462
D560,933	S	2/2008	Sexton	
D583,426	S	12/2008	Webber et al.	
D587,490	S *	3/2009	Siegel	D6/459
D626,356	S *	11/2010	Ho	D6/465
D637,427	S *	5/2011	Troyner et al.	D6/511
D638,671	S	5/2011	Goodman et al.	
2004/0238467	A1	12/2004	Tully	

* cited by examiner

- (22) Filed: **May 14, 2013**
- (51) **LOC (10) Cl.** **06-06**
- (52) **U.S. Cl.**
USPC **D6/675.1**
- (58) **Field of Classification Search**
USPC D6/422-423, 429, 449, 466, 480, 485,
D6/509, 511, 675, 675.1; 248/441.1, 188,
248/188.1, 188.7, 188.8; 108/155-156,
108/161, 150; D7/558
See application file for complete search history.

Primary Examiner — Kelley Donnelly

(74) *Attorney, Agent, or Firm* — Simpson & Simpson, PLLC

(57) **CLAIM**

The ornamental design for a shoe rack assembly, as shown and described.

DESCRIPTION

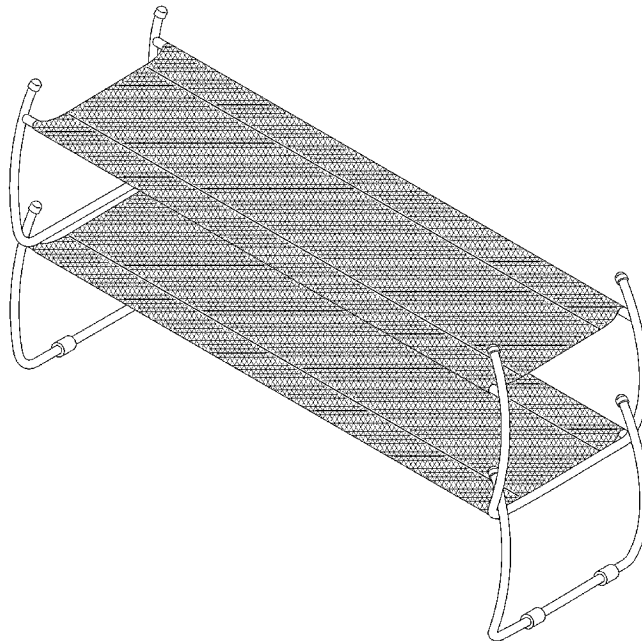
FIG. 1 is a perspective view of the shoe rack assembly of the present invention;
 FIG. 2 is a front elevational view of the invention shown in FIG. 1;
 FIG. 3 is a rear elevational view of the invention shown in FIG. 1;
 FIG. 4 is a left side elevational view of the invention shown in FIG. 1;
 FIG. 5 is a right side elevational view of the invention shown in FIG. 1;
 FIG. 6 is a top plan view of the invention shown in FIG. 1;
 FIG. 7 is a bottom plan view of the invention shown in FIG. 1; and,
 FIG. 8 is an exploded view of the invention shown in FIG. 1.

(56) **References Cited**

U.S. PATENT DOCUMENTS

1,006,328	A	10/1911	Widenhofer	
1,946,711	A *	2/1934	Quisenberry	108/59
4,079,836	A	3/1978	Von Stein et al.	
4,821,885	A	4/1989	Ondrasik	
4,862,602	A *	9/1989	Krill	34/239
D315,432	S *	3/1991	Smith	D32/58
5,035,335	A	7/1991	Massoudnia	
5,074,223	A	12/1991	Remmers	
5,152,407	A	10/1992	Massoudnia et al.	
D371,021	S	6/1996	Pine et al.	
D416,714	S	11/1999	Ziliani	
D450,519	S	11/2001	Chung et al.	

1 Claim, 7 Drawing Sheets



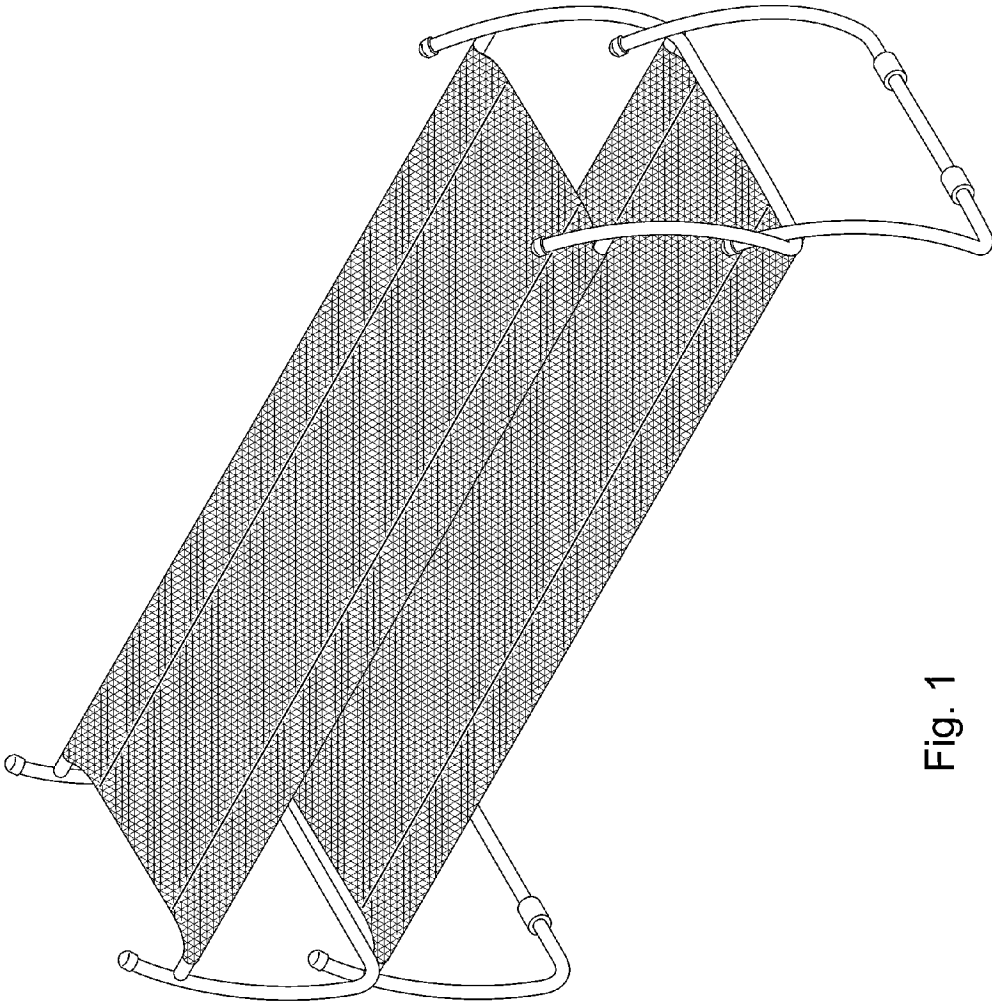


Fig. 1

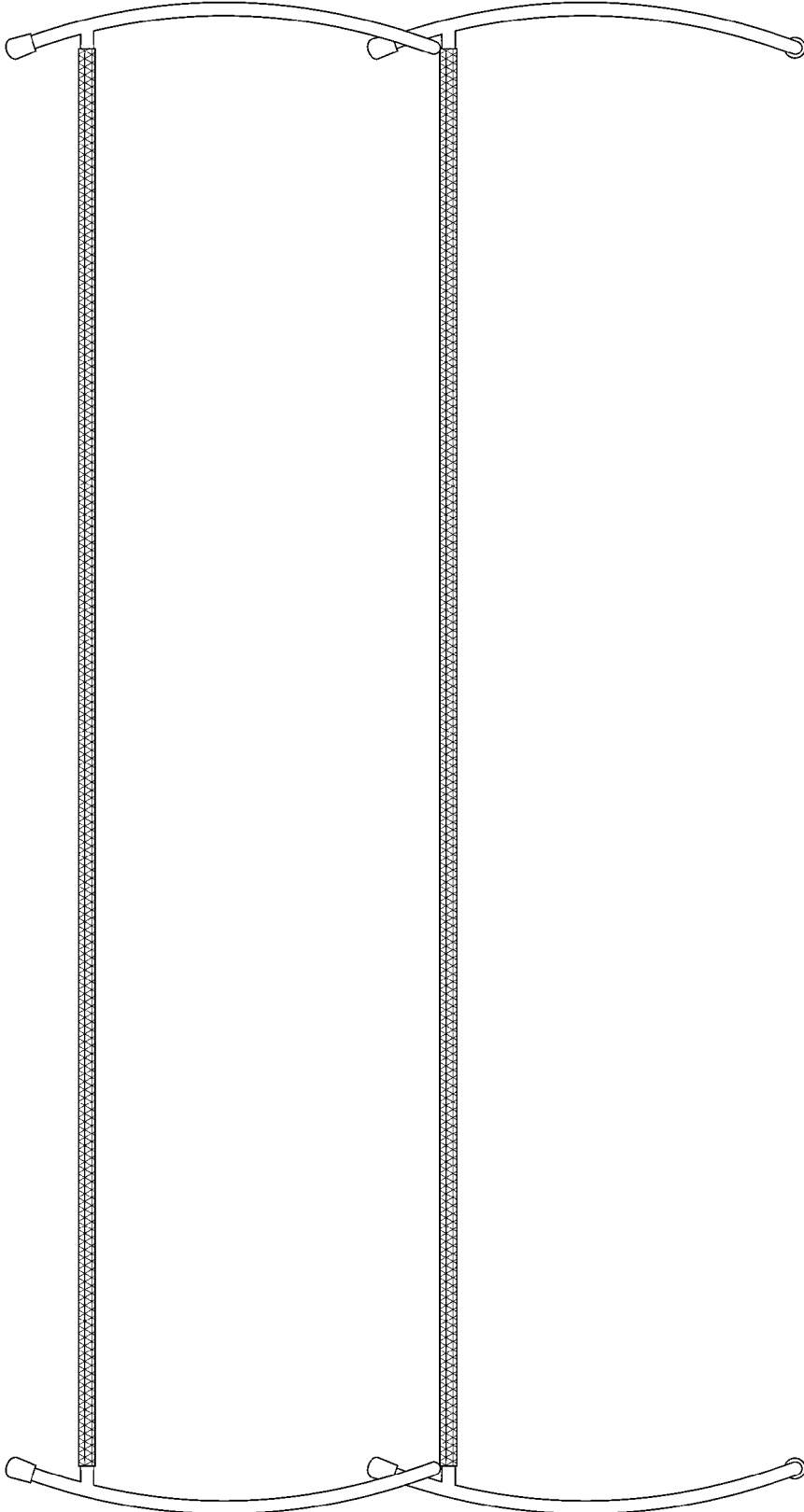


Fig. 2

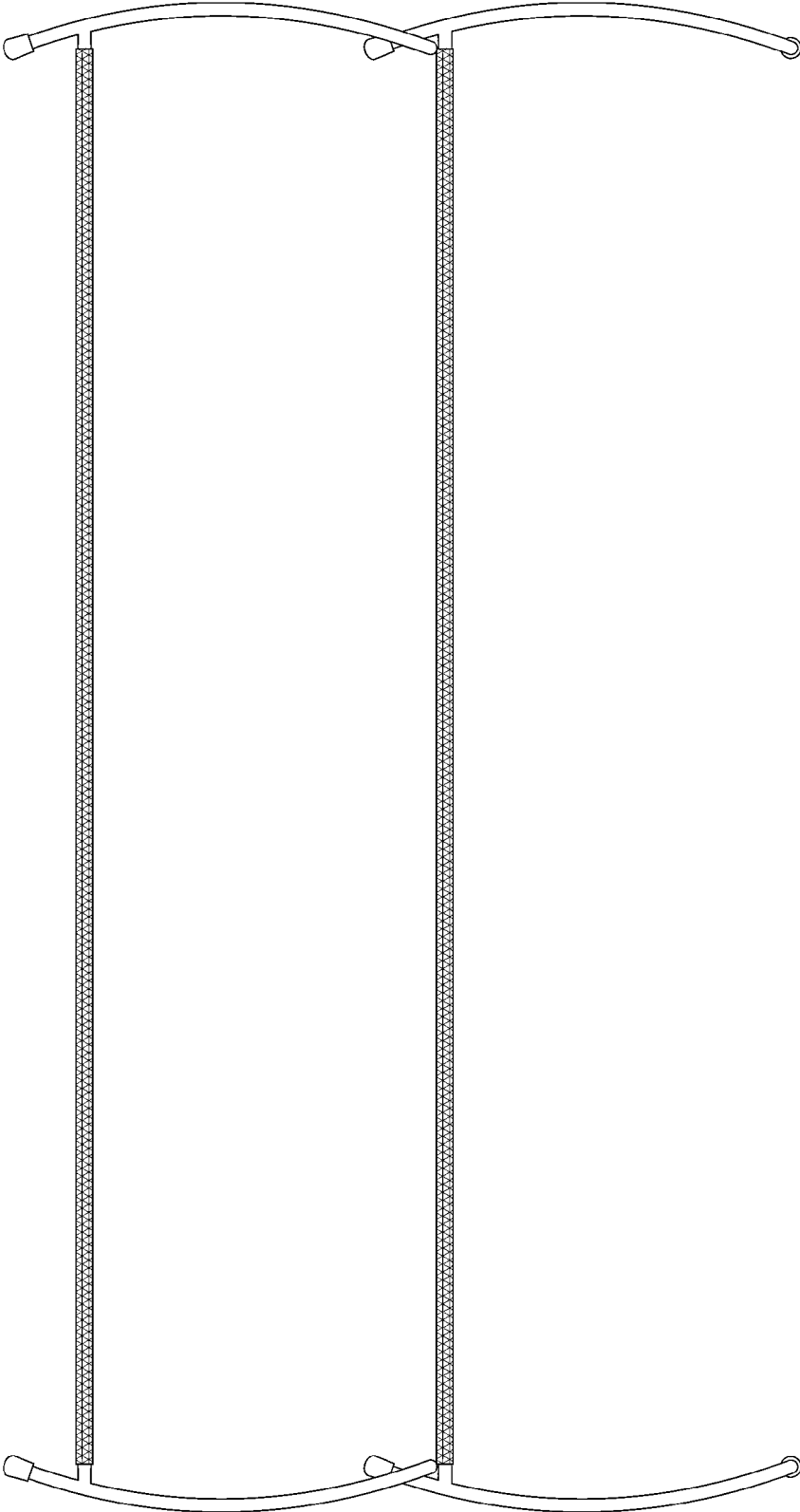


Fig. 3

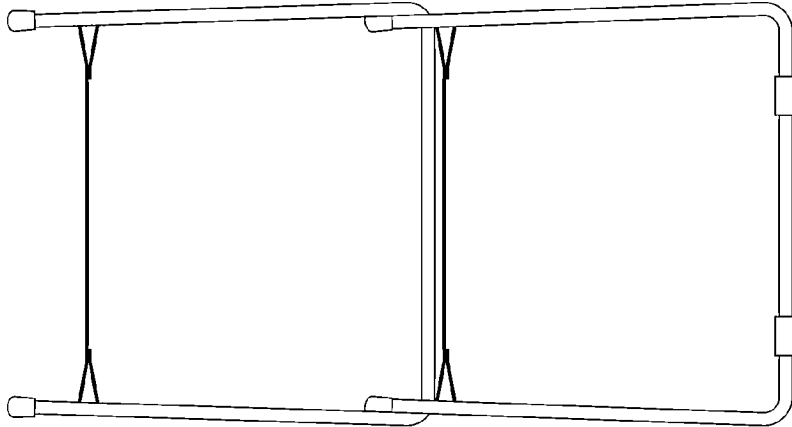


Fig. 5

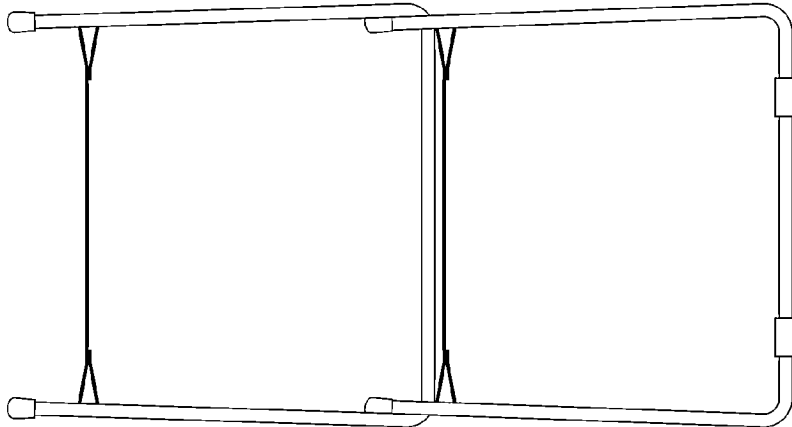


Fig. 4

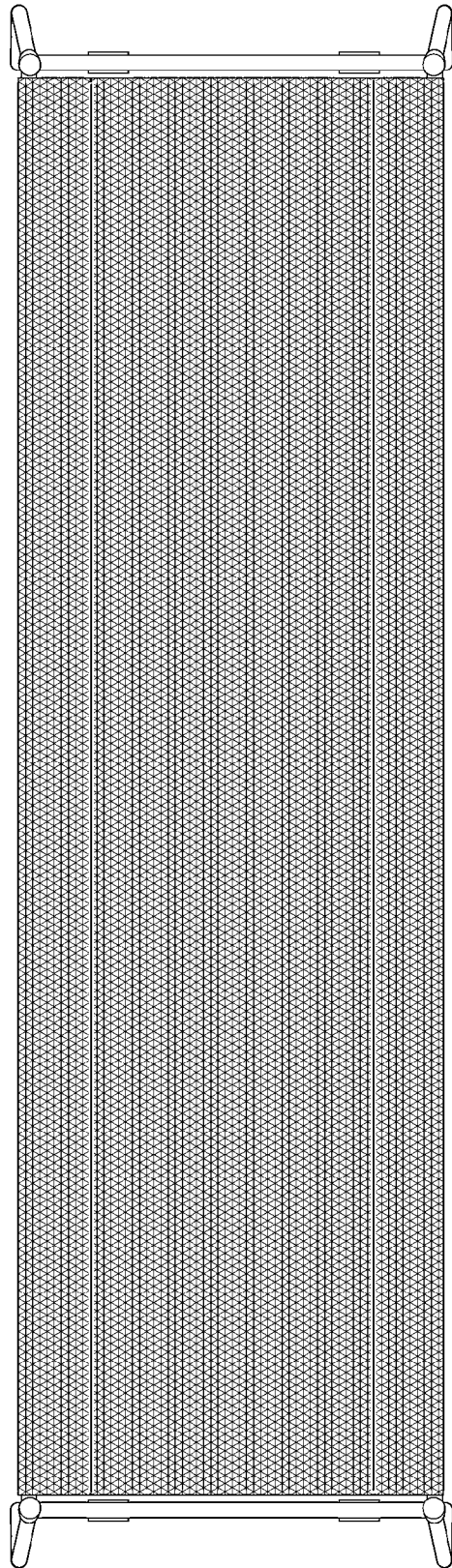


Fig. 6

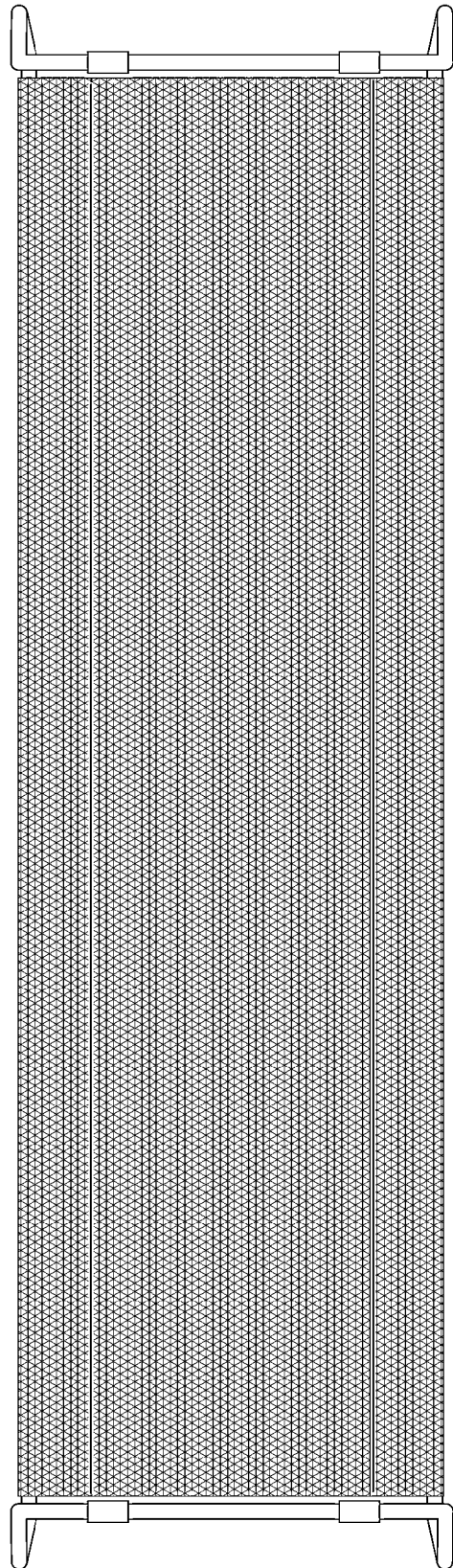


Fig. 7

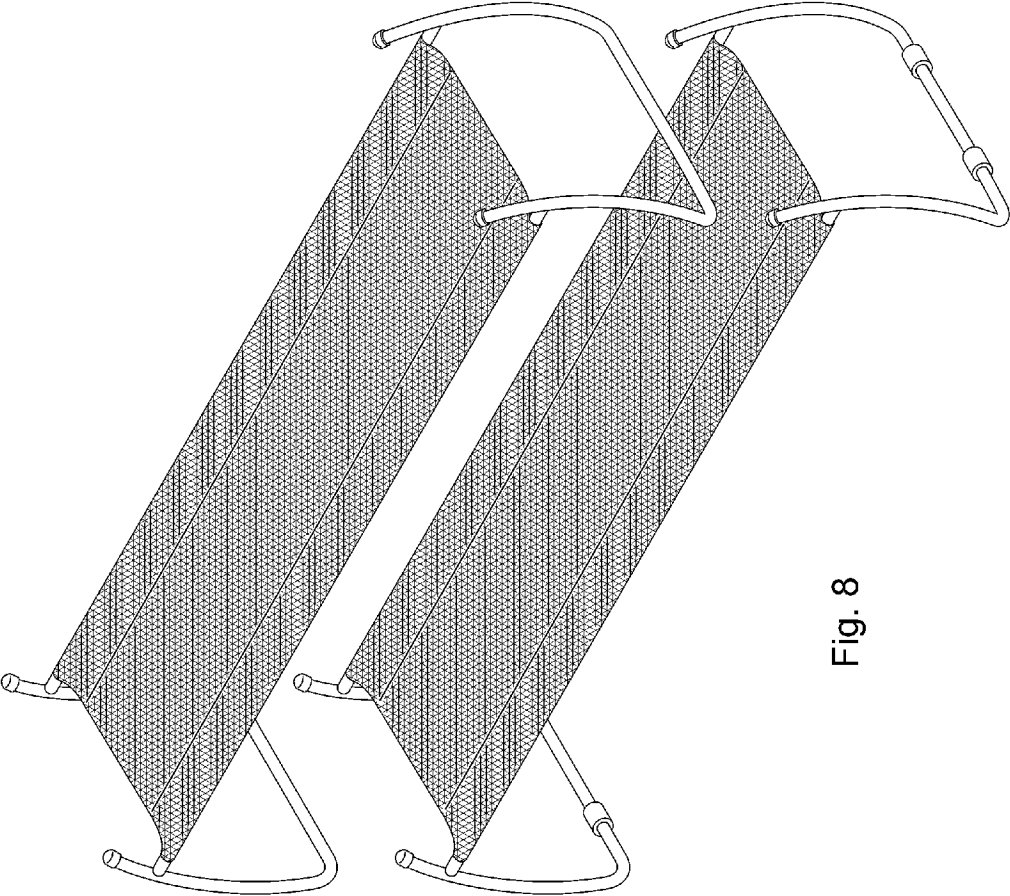


Fig. 8