



US00D701664S

(12) **United States Design Patent**
Tollasepp et al.

(10) **Patent No.:** **US D701,664 S**

(45) **Date of Patent:** **** Mar. 25, 2014**

- (54) **SINK CONTAINER ACCESSORY**
 - (71) Applicants: **Tonis Tollasepp**, Toronto (CA); **Jason Nip**, Toronto (CA)
 - (72) Inventors: **Tonis Tollasepp**, Toronto (CA); **Jason Nip**, Toronto (CA)
 - (73) Assignee: **Tonis Tollasepp**, Toronto (CA)
 - (**) Term: **14 Years**
 - (21) Appl. No.: **29/461,050**
 - (22) Filed: **Jul. 18, 2013**
 - (51) **LOC (10) Cl.** **07-05**
 - (52) **U.S. Cl.**
USPC **D32/55**
 - (58) **Field of Classification Search**
USPC D32/55, 56; D7/667, 637; D21/525;
210/241, 801, 162, 183; 211/162, 183,
211/198, 41.3, 41.4, 41.5, 41.6, 41.8;
220/487
- See application file for complete search history.

D566,919	S	4/2008	Snell	
D568,019	S *	4/2008	Joseph	D32/55
D582,120	S *	12/2008	Snell	D32/55
D586,969	S *	2/2009	Graham	D32/54
D627,121	S *	11/2010	Merritt	D32/55
D635,383	S	4/2011	Yang et al.	
8,296,876	B2	10/2012	Yang et al.	

FOREIGN PATENT DOCUMENTS

GB	2444635	11/2008
JP	11221165	8/1999
JP	2001214490	8/2001
JP	2005089179	4/2005
JP	201100164	1/2011
JP	2011041700	3/2011
JP	2012101137	5/2012

* cited by examiner

Primary Examiner — Austin Murphy

(74) *Attorney, Agent, or Firm* — Simpson & Simpson, PLLC

(57) **CLAIM**

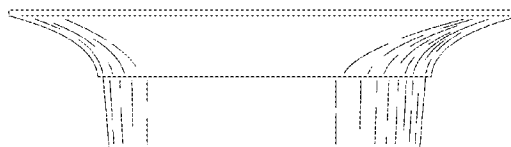
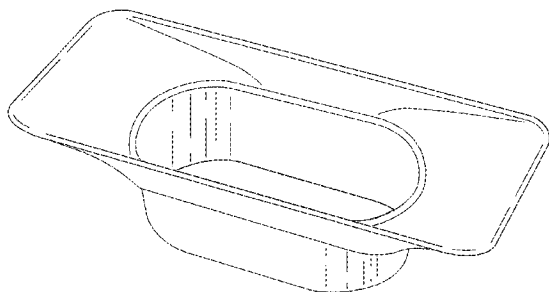
The ornamental design for a sink container accessory, as described and shown.

DESCRIPTION

FIG. 1 is a front perspective view of the sink container accessory of the invention;
 FIG. 2 is a top plan view of the sink container accessory of the invention;
 FIG. 3 is a bottom plan view of the sink container accessory of the invention;
 FIG. 4 is a front elevational view of the sink container accessory of the invention;
 FIG. 5 is a rear elevational view of the sink container accessory of the invention;
 FIG. 6 is a left side elevational view of the sink container accessory of the invention; and,
 FIG. 7 is a right side elevational view of the sink container accessory of the invention.

1 Claim, 3 Drawing Sheets

- (56) **References Cited**
 - U.S. PATENT DOCUMENTS
- | | | | | |
|-----------|-----|---------|-------------------|--------|
| 2,044,520 | A | 6/1936 | Weiant | |
| 4,531,246 | A | 7/1985 | Earley | |
| 5,176,347 | A | 1/1993 | Rouail | |
| D334,265 | S * | 3/1993 | Giugiaro | D32/55 |
| D363,576 | S * | 10/1995 | Brightbill et al. | D32/55 |
| 5,590,804 | A | 1/1997 | Crum et al. | |
| 6,152,294 | A | 11/2000 | Weinberg | |
| D447,918 | S * | 9/2001 | Wolfenden | D7/637 |
| 6,330,948 | B1 | 12/2001 | Leto | |
| 6,402,104 | B1 | 6/2002 | Smith | |
| D483,587 | S | 12/2003 | Snell | |
| 6,991,200 | B2 | 1/2006 | Stillman | |
| D532,235 | S | 11/2006 | Snell | |
| D532,570 | S * | 11/2006 | Vizcarra et al. | D32/55 |
| D532,639 | S | 11/2006 | Snell | |



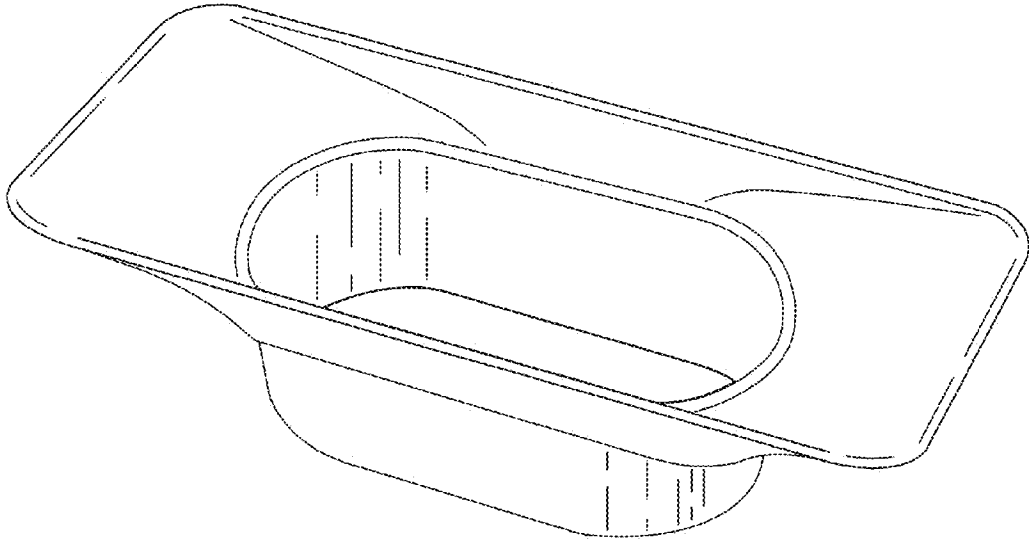


Fig. 1

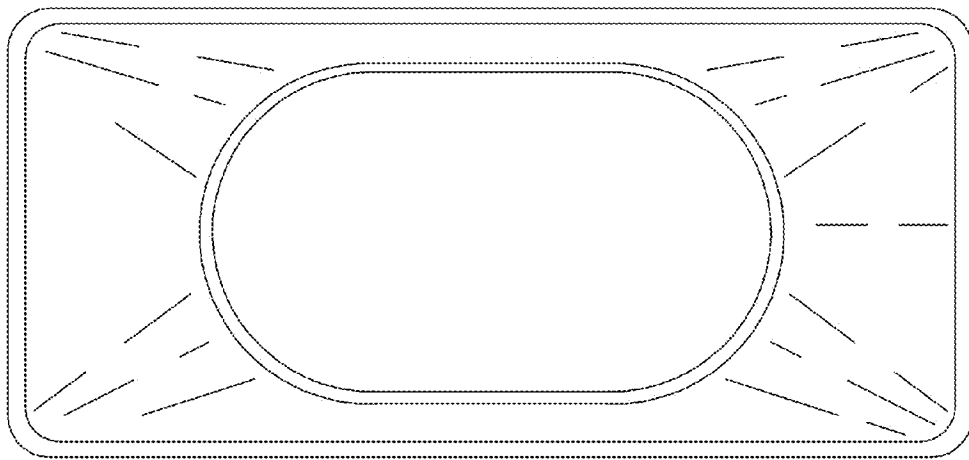


Fig. 2

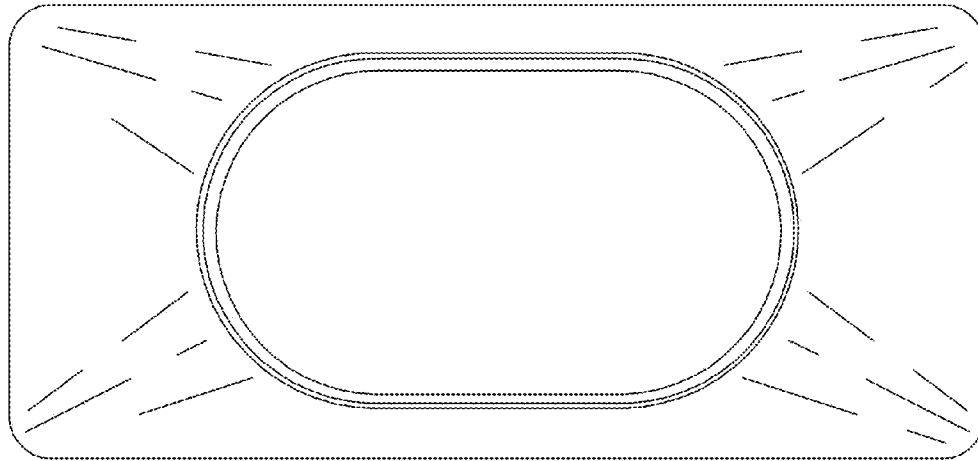


Fig. 3

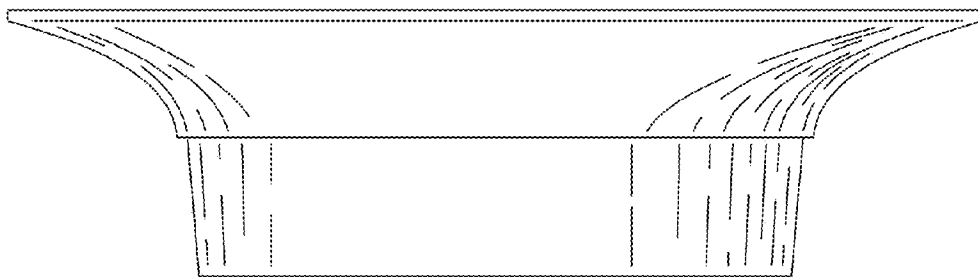


Fig. 4

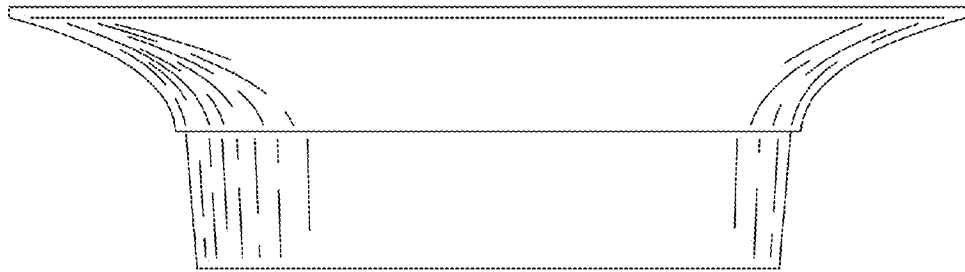


Fig. 5

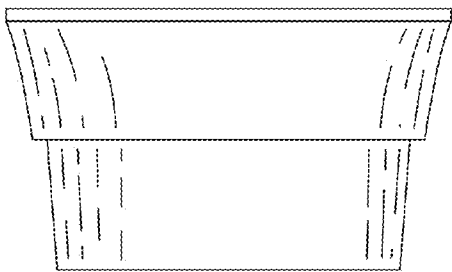


Fig. 6

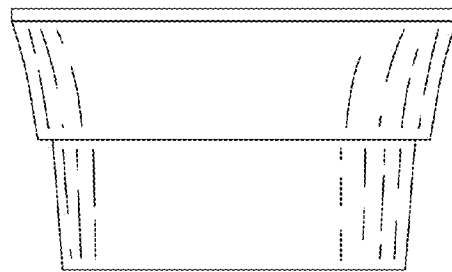


Fig. 7