



US00D711721S

(12) **United States Design Patent**  
**Kujawski**

(10) **Patent No.:** **US D711,721 S**

(45) **Date of Patent:** **\*\* Aug. 26, 2014**

(54) **MULTI-TOOL WITH BLADE SHARPENER**

(71) Applicant: **Arthur Lansky Levine & Associates, Inc.**, Tonawanda, NY (US)

(72) Inventor: **Stanley M. Kujawski**, East Aurora, NY (US)

(73) Assignee: **Arthur Lansky Levine & Associates, Inc.**, Tonawanda, NY (US)

(\*\*) Term: **14 Years**

(21) Appl. No.: **29/470,639**

(22) Filed: **Oct. 23, 2013**

(51) **LOC (10) Cl.** ..... **08-05**

(52) **U.S. Cl.**  
USPC ..... **D8/105**

(58) **Field of Classification Search**  
USPC ..... D8/4, 5, 14, 16, 18, 19, 20-29, 33, 34, D8/38-43, 51, 52, 55, 57, 75, 81-87, 98, D8/99, 104-107, 354, 356, 358, 360.1; 7/107, 128, 151-166; 30/151, 359, 30/366; D3/24, 25, 207-208, 210, 228; D10/46.2, 62; 362/119; 206/38, 232, 206/234; 81/3.09, 437, 440; D7/368, 665, D7/669

See application file for complete search history.

(56) **References Cited**

U.S. PATENT DOCUMENTS

D427,875 S *	7/2000	Chiu	.....	D8/105
D437,541 S *	2/2001	Hermansen et al.	.....	D8/105
D450,229 S *	11/2001	Lin	.....	D8/107
D455,630 S *	4/2002	Chiu	.....	D8/105
D470,738 S *	2/2003	Kao	.....	D8/105
D479,963 S *	9/2003	Chang	.....	D8/21
D515,391 S *	2/2006	Hawkins	.....	D8/105

D549,542 S *	8/2007	Chiang	.....	D8/105
D622,125 S *	8/2010	Robinson	.....	D8/105
D632,155 S *	2/2011	Lai	.....	D8/107

\* cited by examiner

*Primary Examiner* — Susan Bennett Hattan

*Assistant Examiner* — Janice Hallmark

(74) *Attorney, Agent, or Firm* — Simpson & Simpson, PLLC

(57) **CLAIM**

The ornamental design for a multi-tool with blade sharpener, as shown and described.

**DESCRIPTION**

FIG. 1 is a top perspective view of the multi-tool with blade sharpener of the present invention;

FIG. 2 is a bottom perspective view of the invention shown in FIG. 1;

FIG. 3 is a rear elevational view of the invention shown in FIG. 1;

FIG. 4 is a front elevational view of the invention shown in FIG. 1;

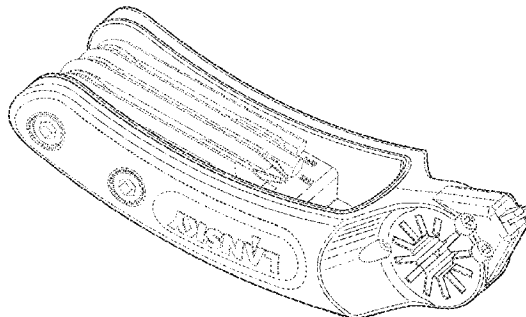
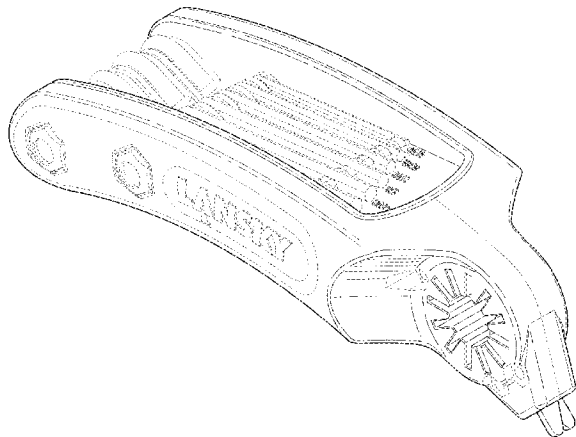
FIG. 5 is a left side elevational view of the invention shown in FIG. 1;

FIG. 6 is a right side elevational view of the invention shown in FIG. 1;

FIG. 7 is a top plan view of the invention shown in FIG. 1; and, FIG. 8 is a bottom plan view of the invention shown in FIG. 1.

The broken line showing of indicia shown in FIGS. 1-8 is for the purpose of illustrating various markings and forms no part of the claimed design. Similarly, the broken line showing of the fasteners and fastener openings, e.g., holes, nuts and bolts, shown in FIGS. 1-8 is for the purpose of illustrating a securing means and forms no part of the claimed design. Additionally, the broken line showing of the various tools included within the present invention shown in FIGS. 1-8 is for the purpose of illustrating embodiments of tools and forms no part of the claimed design.

**1 Claim, 8 Drawing Sheets**



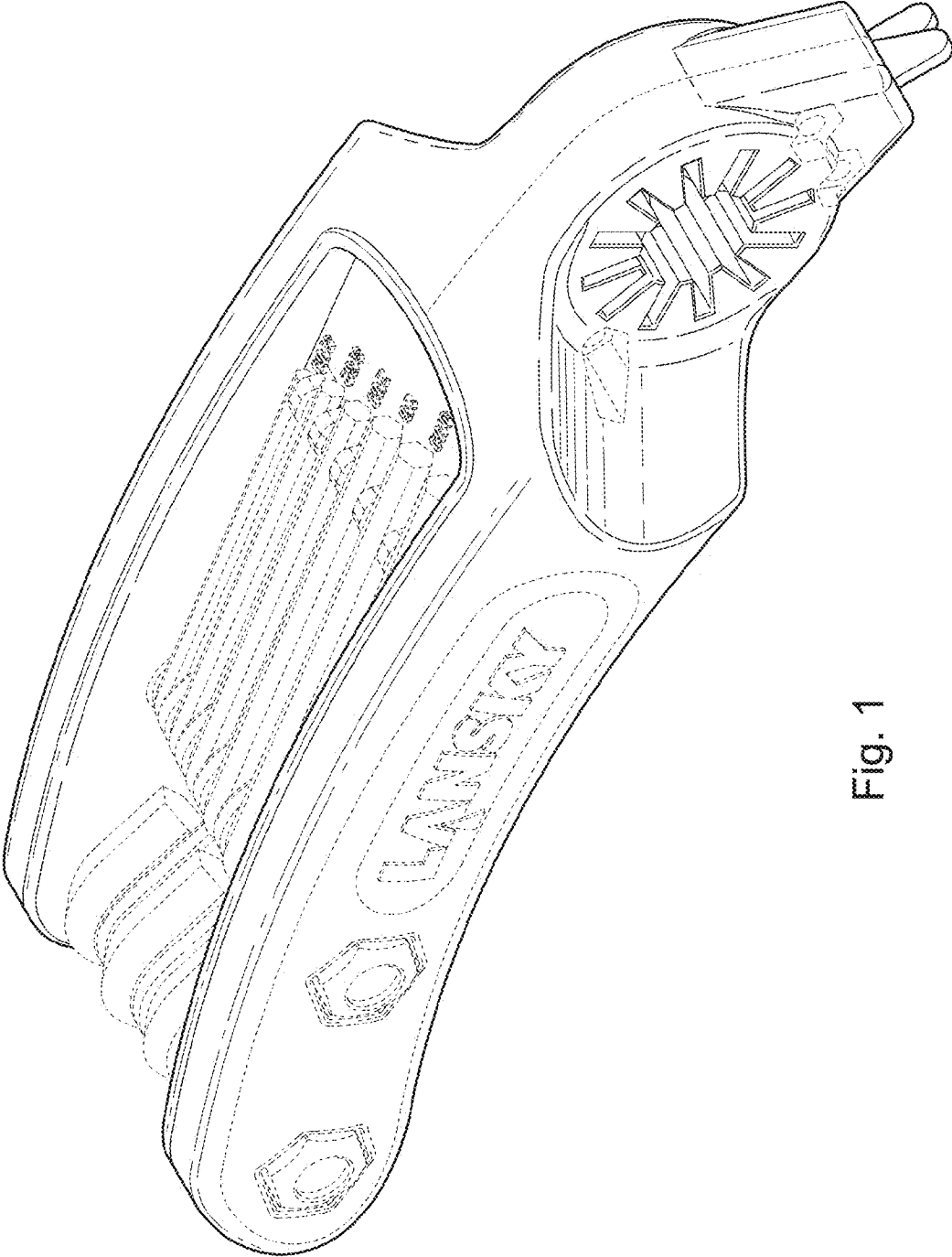


Fig. 1

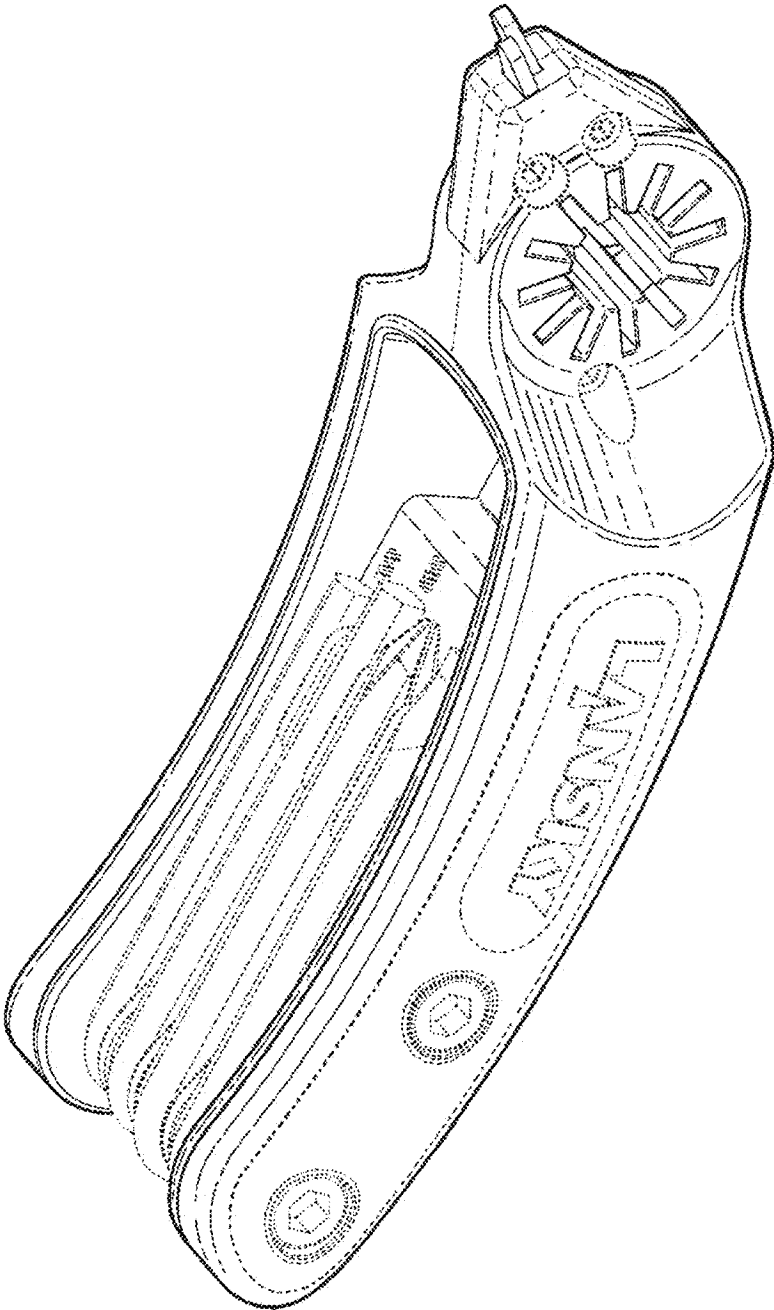


Fig. 2

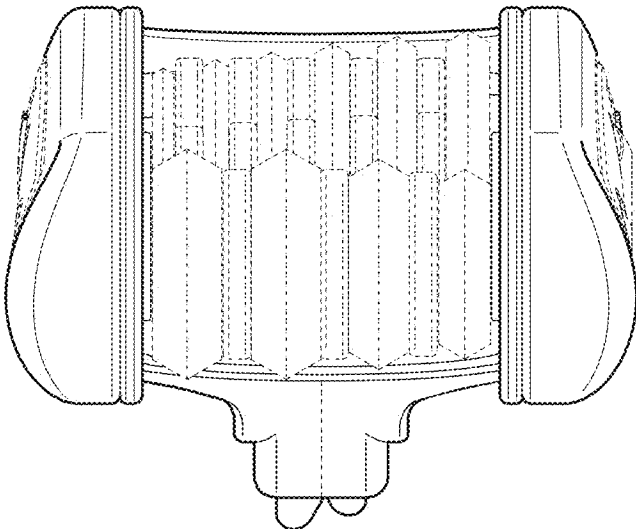


Fig. 3

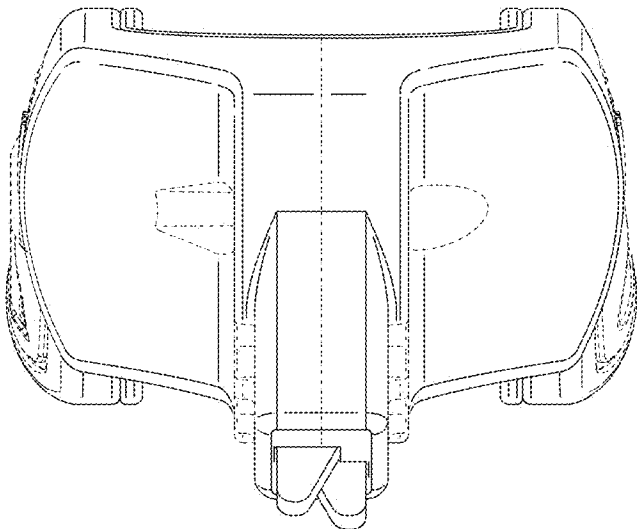


Fig. 4

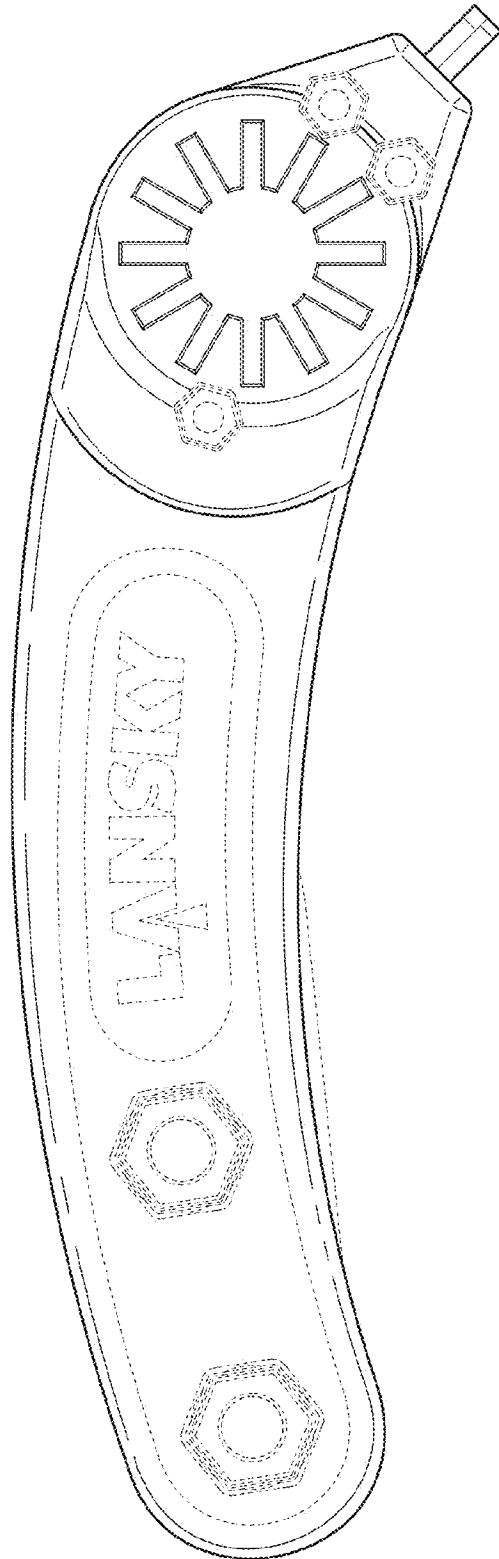


Fig. 5

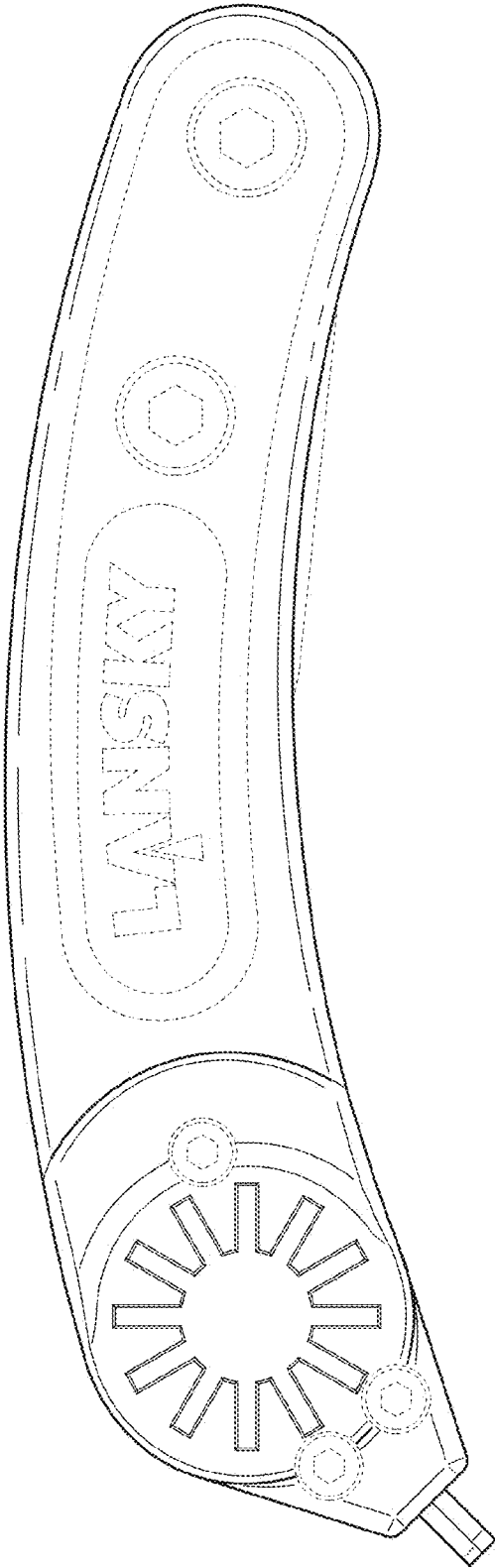


Fig. 6

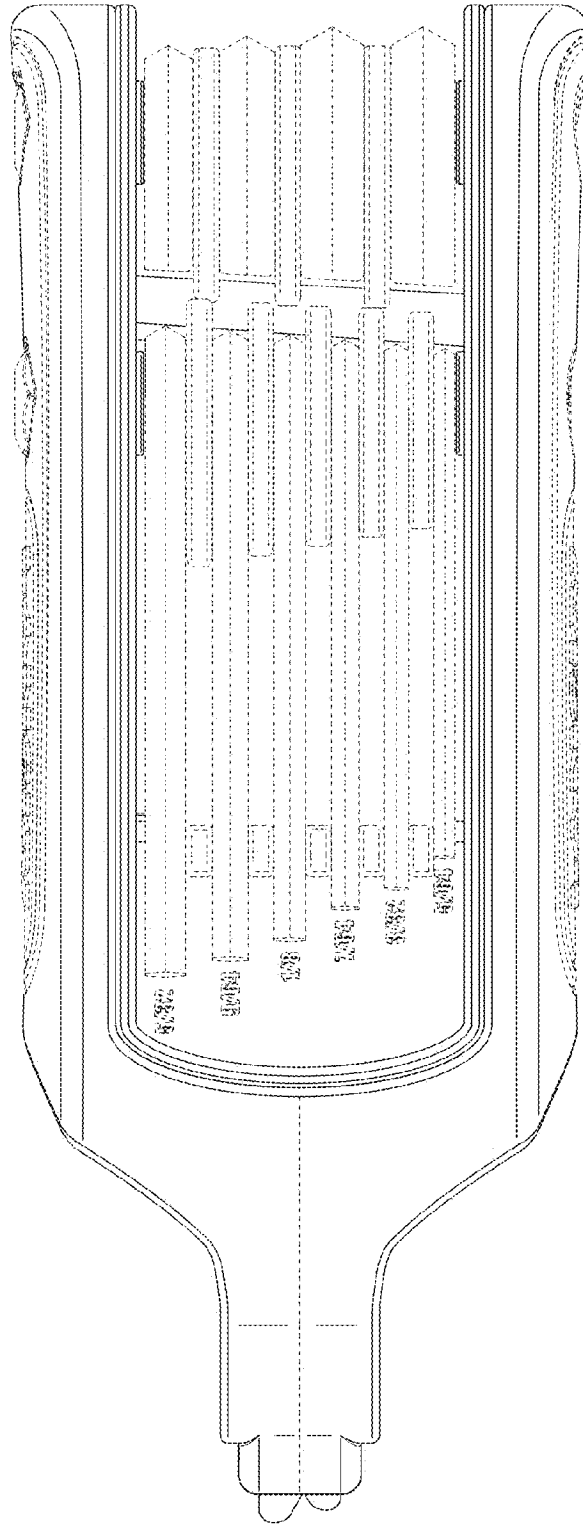


Fig. 7



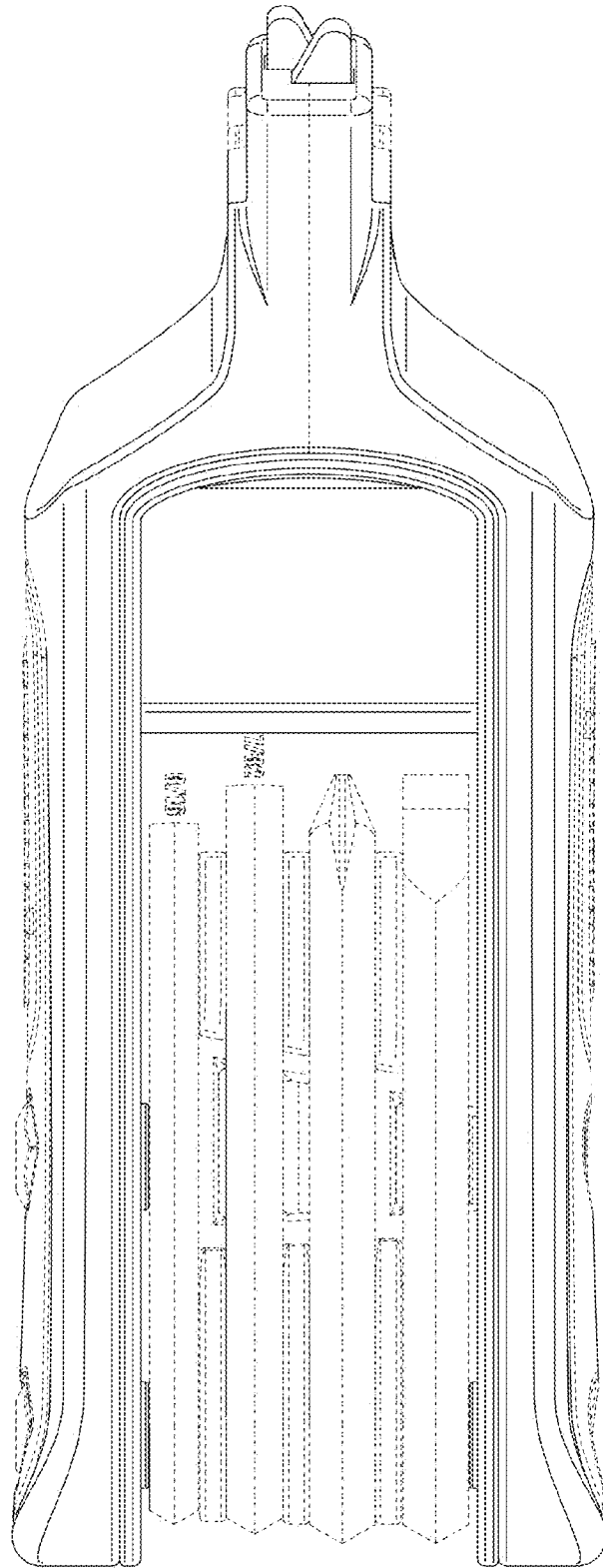


Fig. 8