



US00D731799S

(12) **United States Design Patent**
Park

(10) **Patent No.:** **US D731,799 S**

(45) **Date of Patent:** **** Jun. 16, 2015**

- (54) **PICTURE FRAME**
- (71) Applicant: **Umbra LLC**, Buffalo, NY (US)
- (72) Inventor: **Sung wook Park**, Toronto (CA)
- (73) Assignee: **Umbra LLC**, Buffalo, NY (US)
- (**) Term: **14 Years**
- (21) Appl. No.: **29/491,581**
- (22) Filed: **May 22, 2014**
- (51) **LOC (10) Cl.** **06-07**
- (52) **U.S. Cl.**
USPC **D6/314; D6/300**
- (58) **Field of Classification Search**
USPC D6/300-314, 691, 691.6, 691.7;
D21/483, 484, 486, 487, 445;
D11/121, 131, 132, 140, 141
CPC G09F 15/0062; A63H 27/08; Y10S 52/10
See application file for complete search history.

Umbra Prisma Frame, available May 2, 2014, [online], [site visited Jan. 20, 2015]. Available from internet, <URL: http://www.amazon.com/Umbra-Prisma-Desktop-Frame-6-Inch/dp/B00HY8FUTM/ref=sr_1_3?ie=UTF8&qid=1421713951&sr=8-3&keywords=sung+wook+park+picture+frame#customerReviews.*
Umbra Prisma Frame, available Jun. 20, 2014, [youtube video online], [site visited Jan. 20, 2015]. Available from internet, <URL: <https://www.youtube.com/watch?v=6YP0Bm-YkBI>.*

(Continued)

Primary Examiner — Cathron Brooks
Assistant Examiner — Teddy Falloway
(74) *Attorney, Agent, or Firm* — Simpson & Simpson, PLLC

(57) **CLAIM**

The ornamental design for a picture frame, as shown and described.

DESCRIPTION

FIG. 1 is a front perspective view of a picture frame of the present invention;
FIG. 2 is a front elevational view of the invention shown in FIG. 1;
FIG. 3 is a rear elevational view of the invention shown in FIG. 1;
FIG. 4 is a left side elevational view of the invention shown in FIG. 1;
FIG. 5 is a right side elevational view of the invention shown in FIG. 1;
FIG. 6 is a top plan view of the invention shown in FIG. 1;
FIG. 7 is a bottom plan view of the invention shown in FIG. 1; and,
FIG. 8 is a front perspective view of the invention of FIG. 1, shown holding a picture.
The broken lines shown are included for the purpose of illustrating environmental structure that forms no part of the claimed design.

(56) **References Cited**

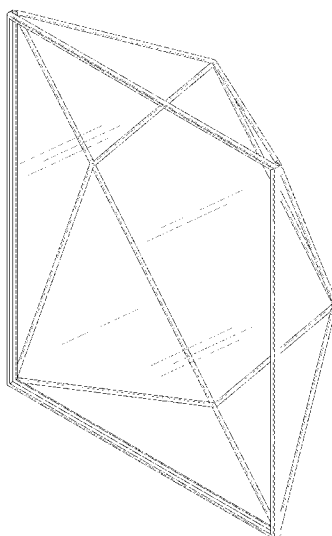
U.S. PATENT DOCUMENTS

D169,868	S	*	6/1953	Schwartz	D6/484
D242,363	S	*	11/1976	De Sena	D11/125
D264,321	S	*	5/1982	Kratz	D11/96
D266,262	S	*	9/1982	Pennington	D20/10
4,471,548	A	*	9/1984	Goudie	40/610
4,791,761	A	*	12/1988	Goudie	52/109
4,970,841	A	*	11/1990	Zeigler	52/646
5,184,789	A	*	2/1993	Aldrin	244/159.4
5,351,843	A	*	10/1994	Wichman et al.	211/195
D411,254	S	*	6/1999	Kihle	D20/42
D431,115	S	*	9/2000	Napracone	D6/310
D431,911	S	*	10/2000	Napracone	D6/310
D470,432	S	*	2/2003	Rabinowitz	D11/125

OTHER PUBLICATIONS

Tensegrity frame, available Aug. 2006, [online], [site visited Jan. 20, 2015]. Available from internet, <URL: <http://www.ideafactor.net/project/tensegrity-frame>.*

1 Claim, 6 Drawing Sheets



(56)

References Cited

OTHER PUBLICATIONS

Etagere Shelving, available Jun. 12, 2014, [online], [site visited Jan. 20, 2015]. Available from internet, <URL <http://dailydecorideas.blogspot.com/2014/09/geometric-shelves-easy-yet-eccentric.html>>.*

Geometric brass dining table, available Aug. 15, 2013, [online], [site visited Jan. 20, 2015]. Available from internet, <URL <http://blog.mid2mod.com/2013/08/color-beautiful-color.html>>.*

Space Frame, available spring/2013, [online], [site visited Jan. 20, 2015]. Available from internet, <URL <http://www.shirachu.com/consulate.html>>.*

* cited by examiner

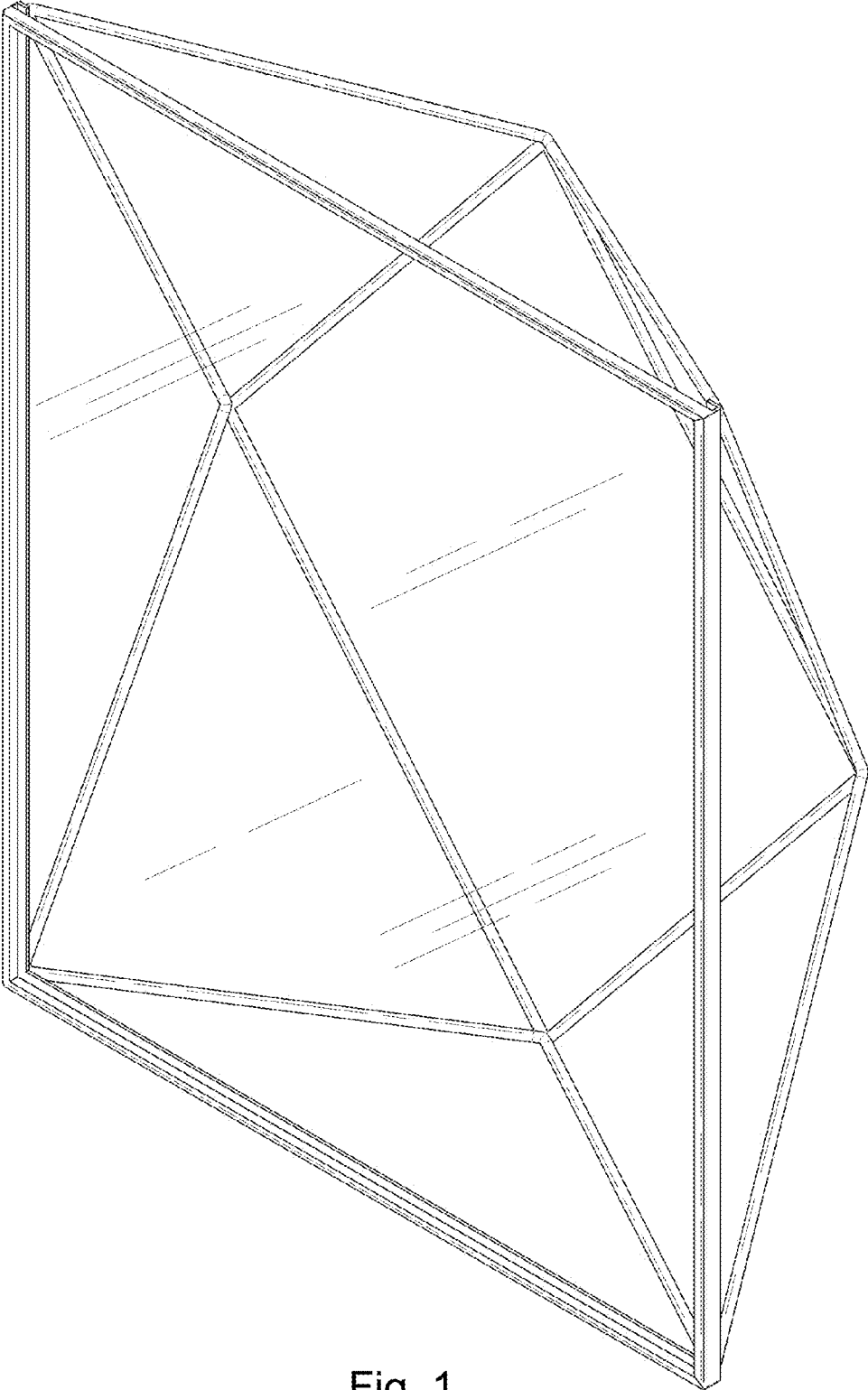


Fig. 1

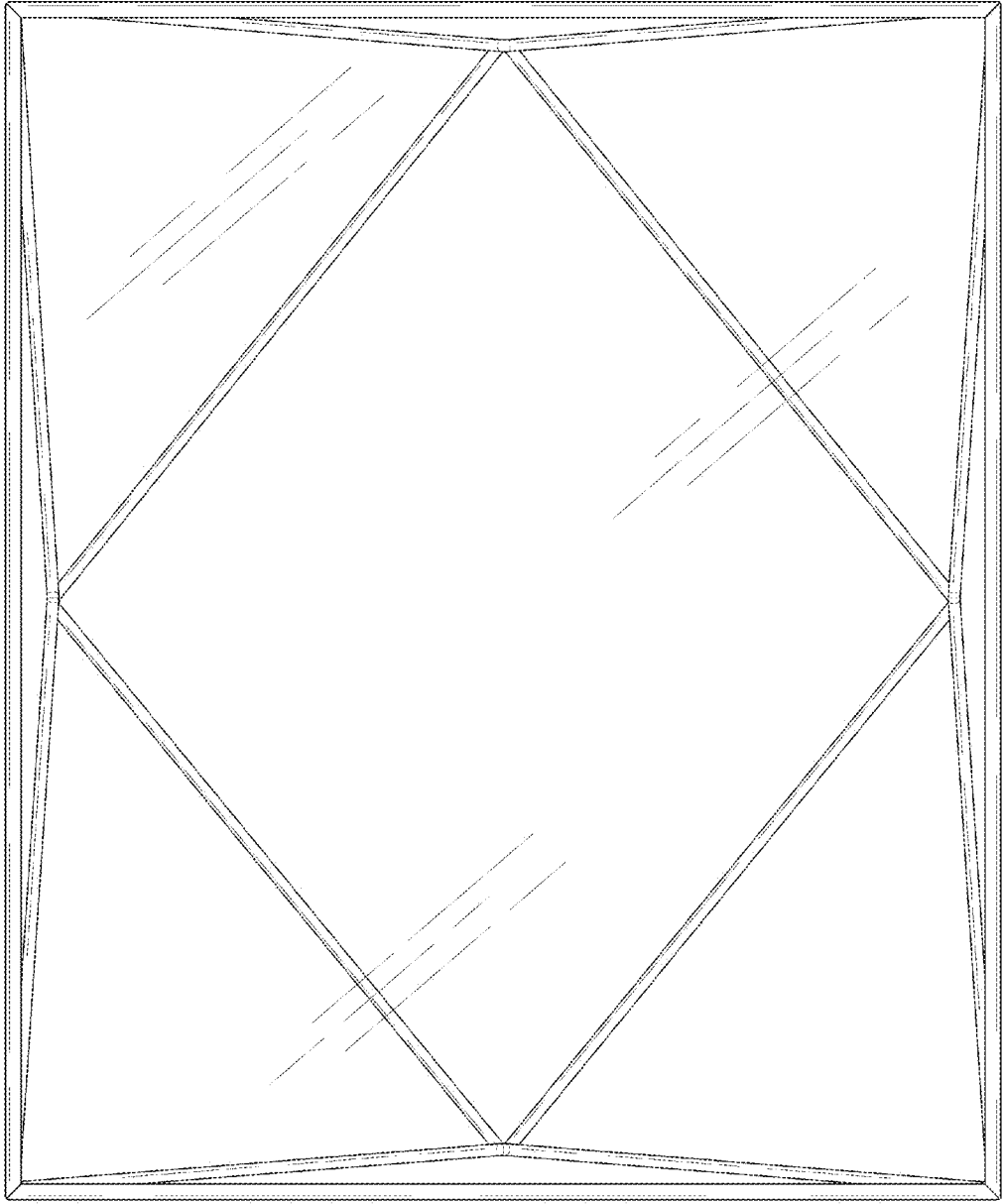


Fig. 2

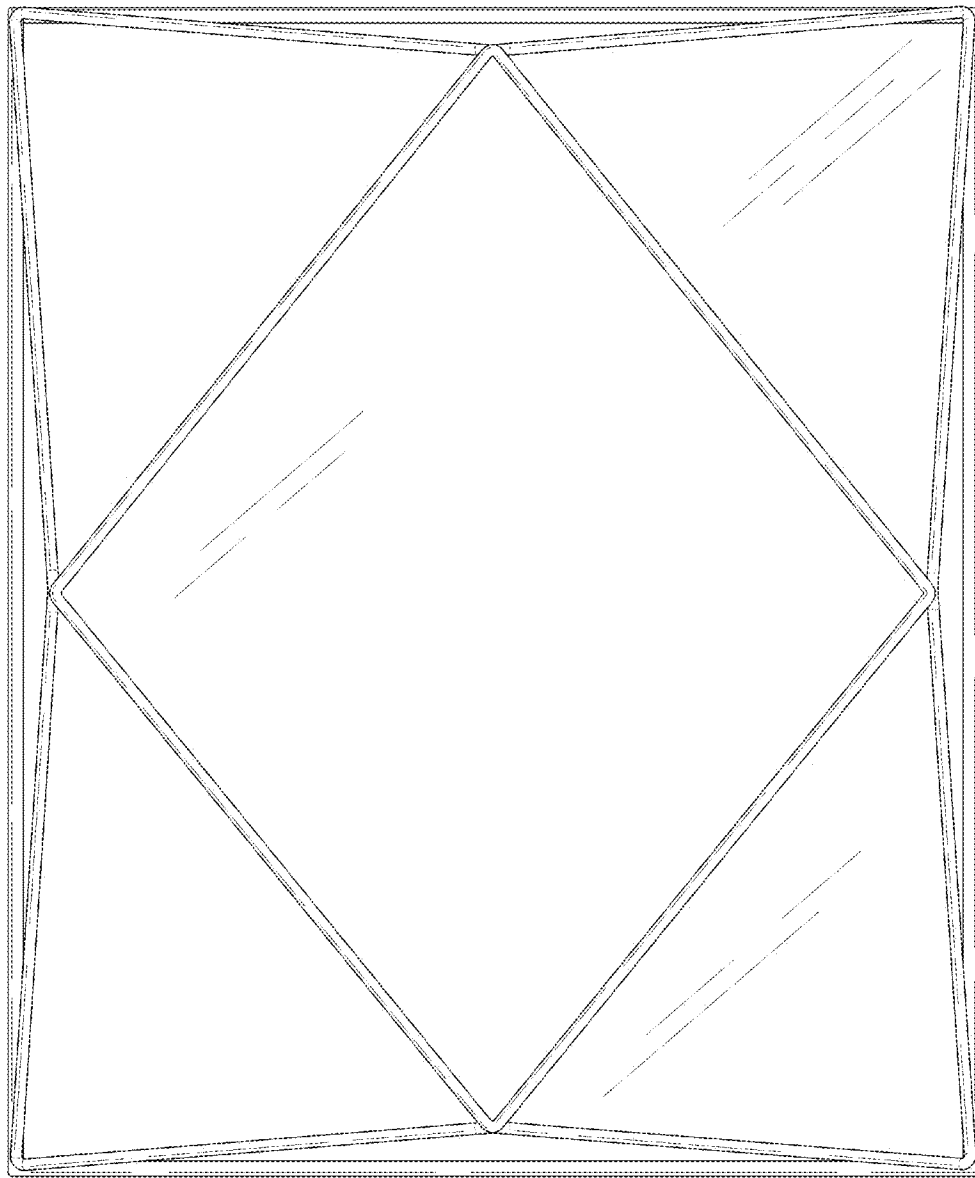


Fig. 3

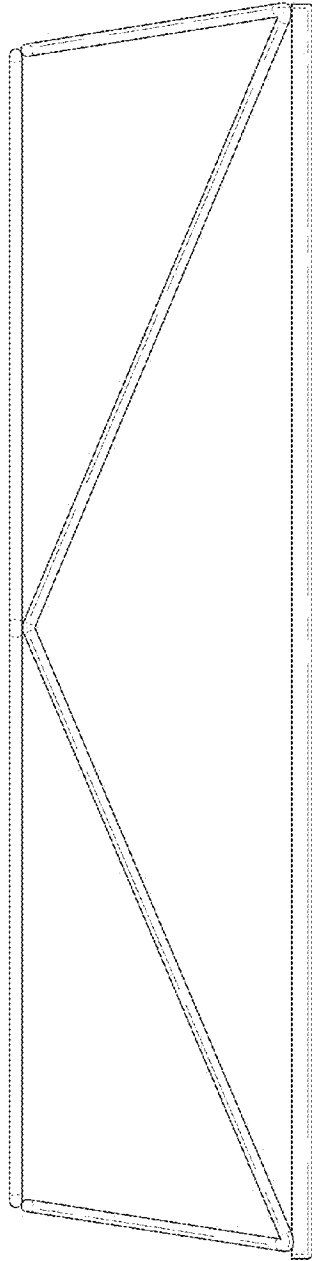


Fig. 4

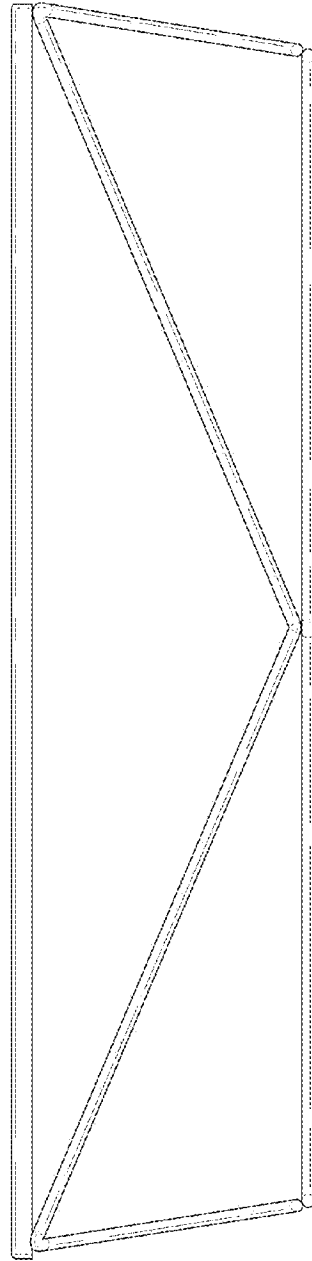


Fig. 5

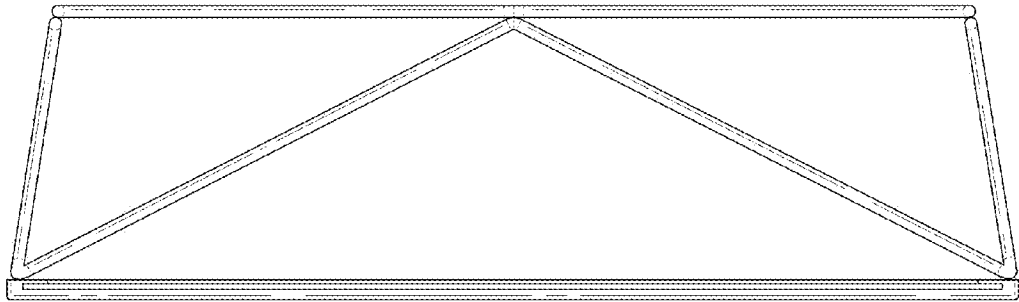


Fig. 6

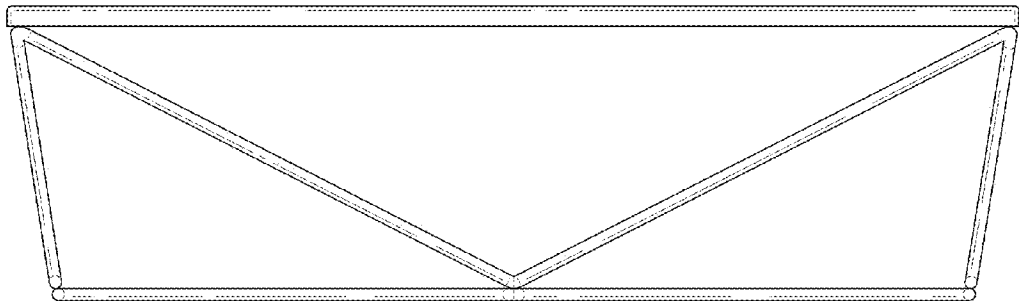


Fig. 7

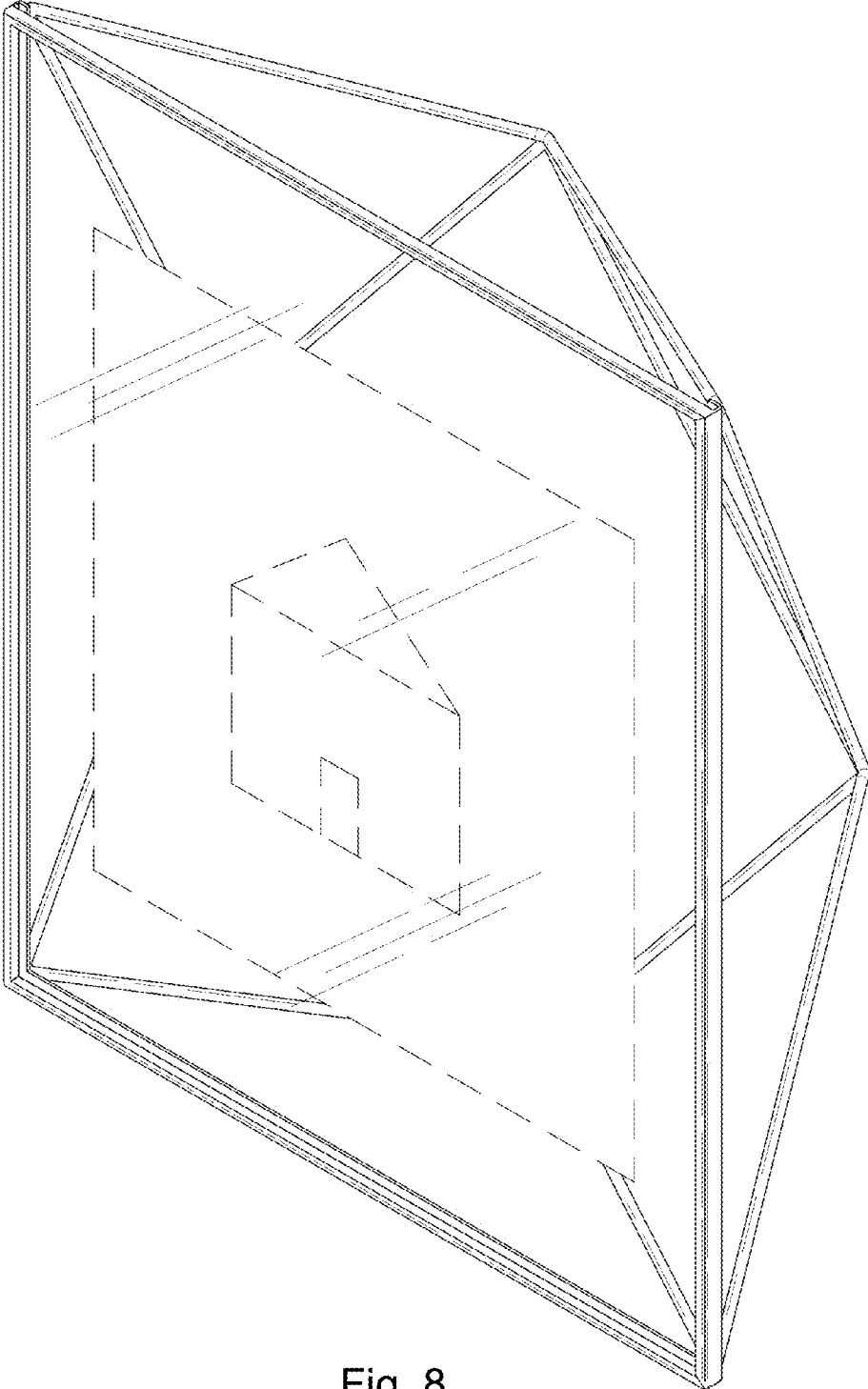


Fig. 8