



US00D734368S

(12) **United States Design Patent**
Davis

(10) **Patent No.:** **US D734,368 S**

(45) **Date of Patent:** **** Jul. 14, 2015**

- (54) **DREDGING NOZZLE**
- (71) Applicant: **Jerome M. Davis**, Cheektowaga, NY (US)
- (72) Inventor: **Jerome M. Davis**, Cheektowaga, NY (US)
- (**) Term: **14 Years**
- (21) Appl. No.: **29/471,149**
- (22) Filed: **Oct. 29, 2013**
- (51) **LOC (10) Cl.** **15-03**
- (52) **U.S. Cl.**
USPC **D15/20**
- (58) **Field of Classification Search**
USPC D15/20, 21; 37/317, 321, 307, 310, 37/195, 330, 344; 299/9, 17; 175/5
CPC E02F 3/905; E02F 3/9237; E02F 3/9262; E02F 7/04; E21C 50/00
See application file for complete search history.

4,914,841 A *	4/1990	Weinrib	37/195
6,233,851 B1 *	5/2001	Alexander et al.	37/195
2012/0047684 A1 *	3/2012	Blane	15/354
2013/0312296 A1 *	11/2013	Jones et al.	37/317
2014/0015302 A1 *	1/2014	Benedetti et al.	299/9

* cited by examiner

Primary Examiner — Cynthia Ramirez

(74) *Attorney, Agent, or Firm* — Simpson & Simpson, PLLC

(57) **CLAIM**

The ornamental design for a dredging nozzle, as shown and described.

DESCRIPTION

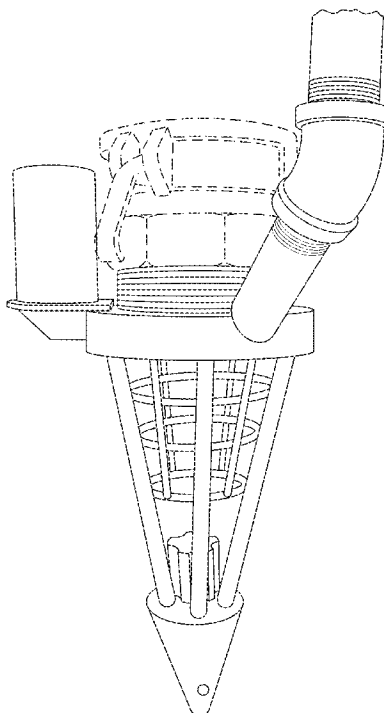
FIG. 1 is a front perspective view of the dredging nozzle of the present invention;
 FIG. 2 is a left side elevational view of the invention shown in FIG. 1;
 FIG. 3 is a right side elevational view of the invention shown in FIG. 1;
 FIG. 4 is a front elevational view of the invention shown in FIG. 1;
 FIG. 5 is a rear elevational view of the invention shown in FIG. 1;
 FIG. 6 is a bottom plan view of the invention shown in FIG. 1; and,
 FIG. 7 is a top plan view of the invention shown in FIG. 1.
 The broken line illustrations shown in the drawings depict environmental subject matter only and form no part of the claimed design.

(56) **References Cited**

U.S. PATENT DOCUMENTS

3,187,447 A *	6/1965	Hollyoak	37/344
3,763,580 A *	10/1973	Kuntz, Jr.	37/321
3,799,614 A *	3/1974	Miscovich et al.	299/17
4,232,903 A *	11/1980	Welling et al.	299/8
4,386,473 A *	6/1983	Amann et al.	37/319
4,398,361 A *	8/1983	Amann et al.	37/319
4,624,066 A *	11/1986	Heuvelman	37/310

1 Claim, 7 Drawing Sheets



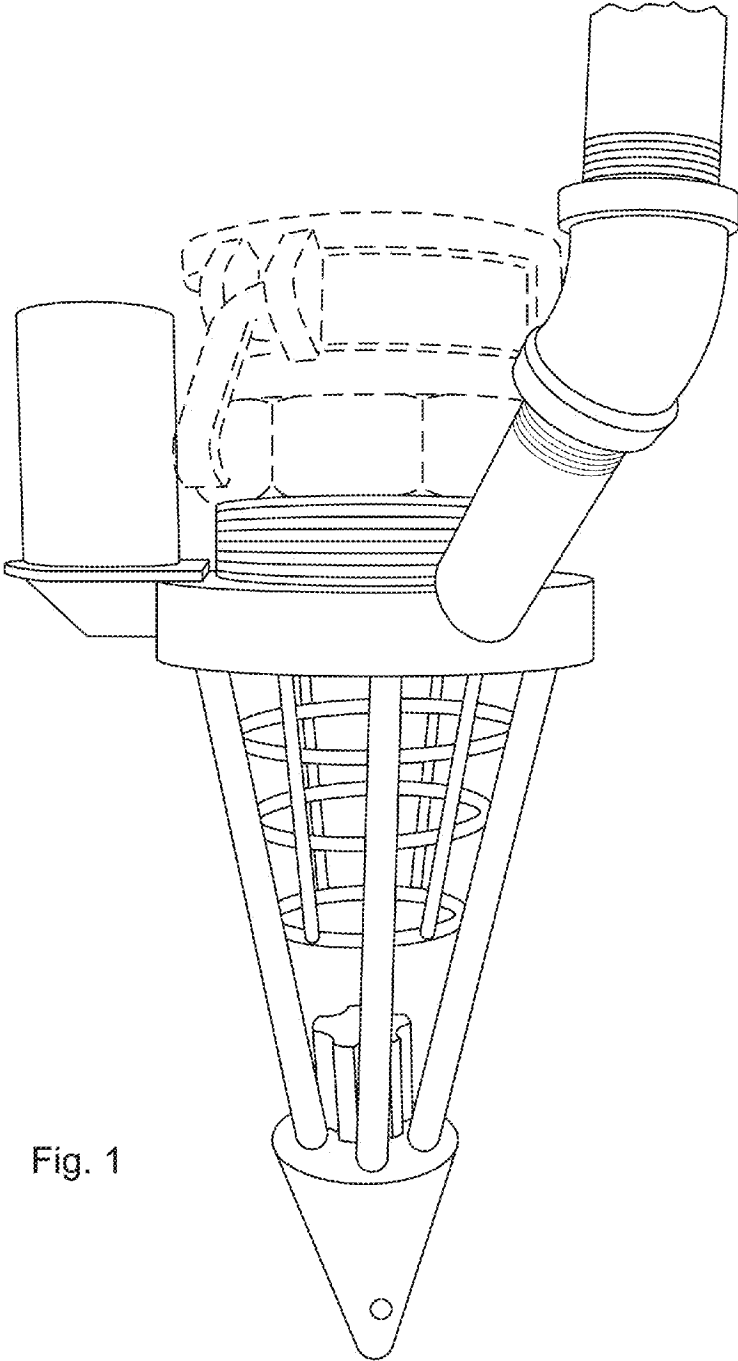


Fig. 1

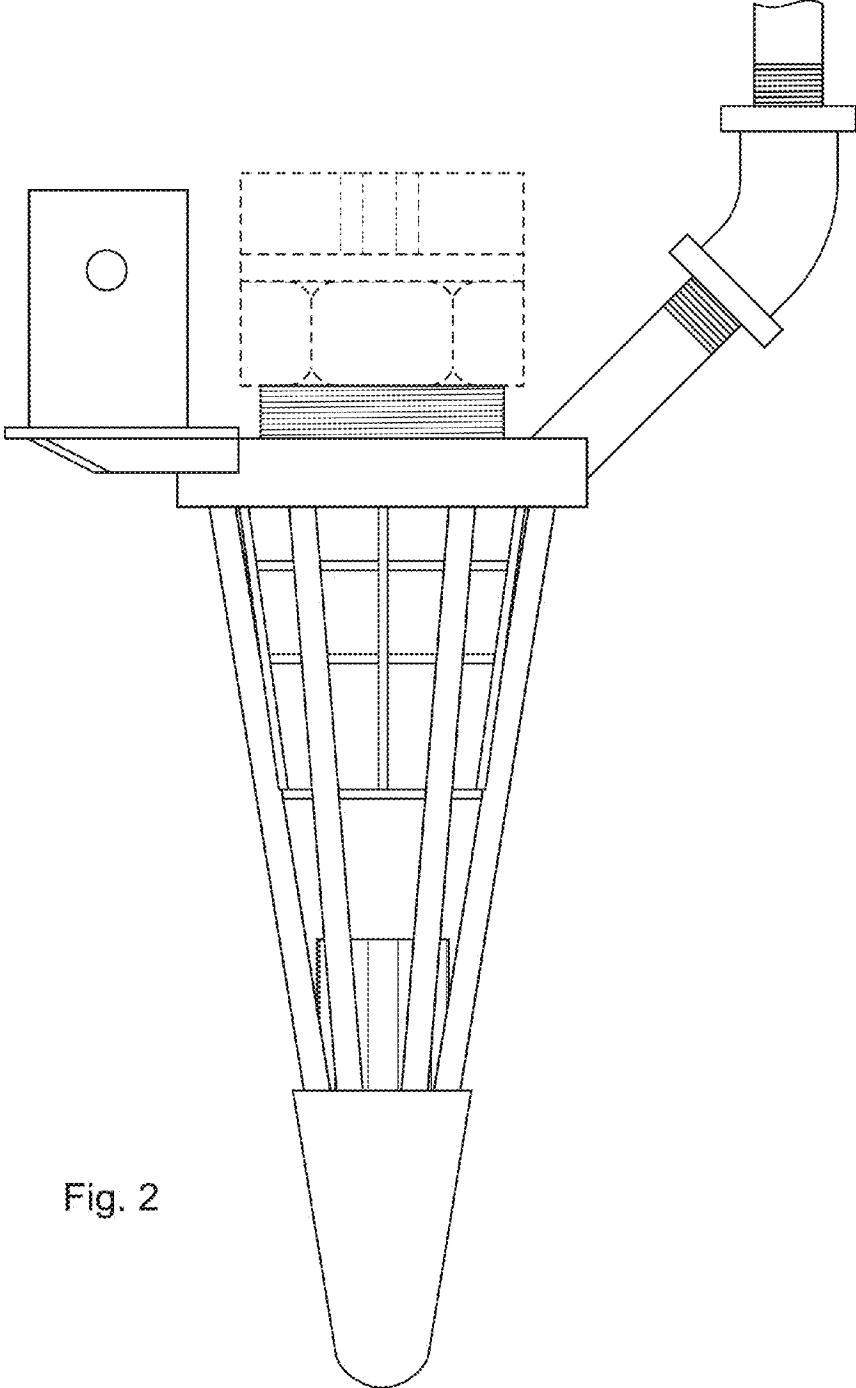


Fig. 2

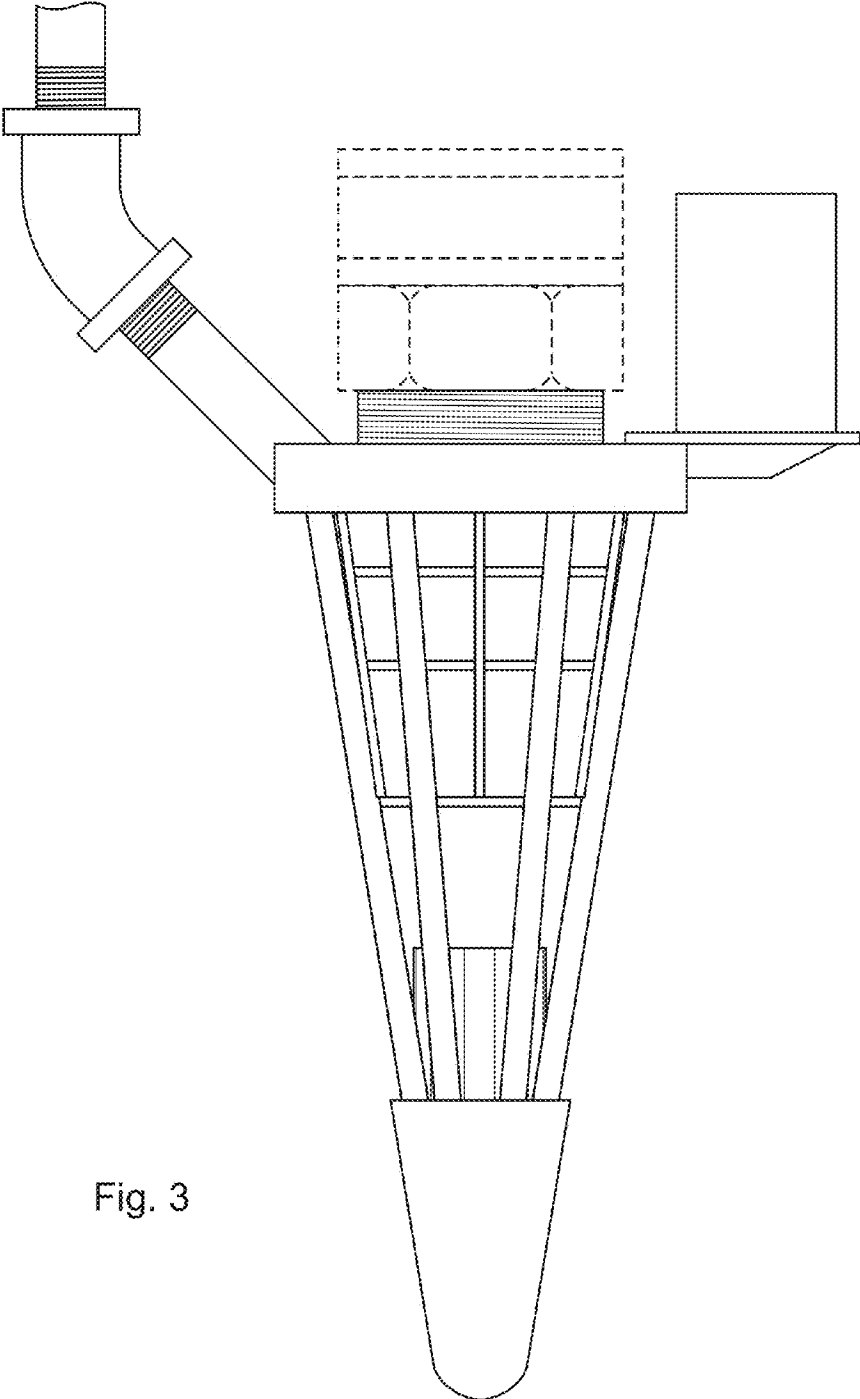


Fig. 3

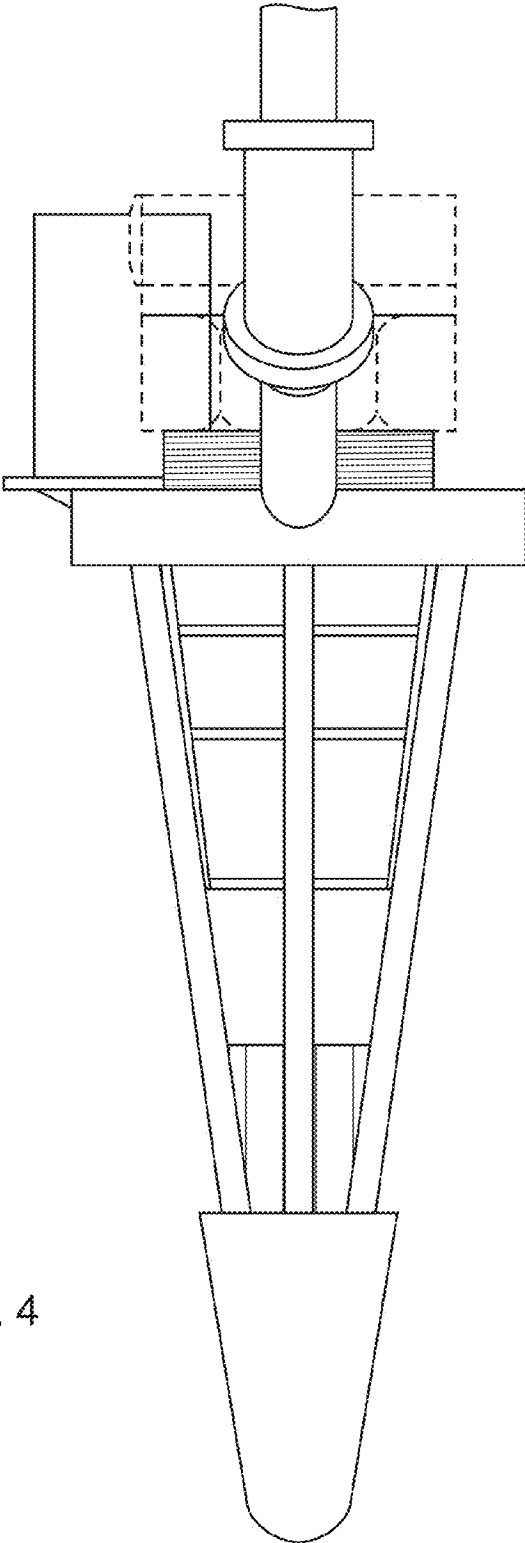


Fig. 4

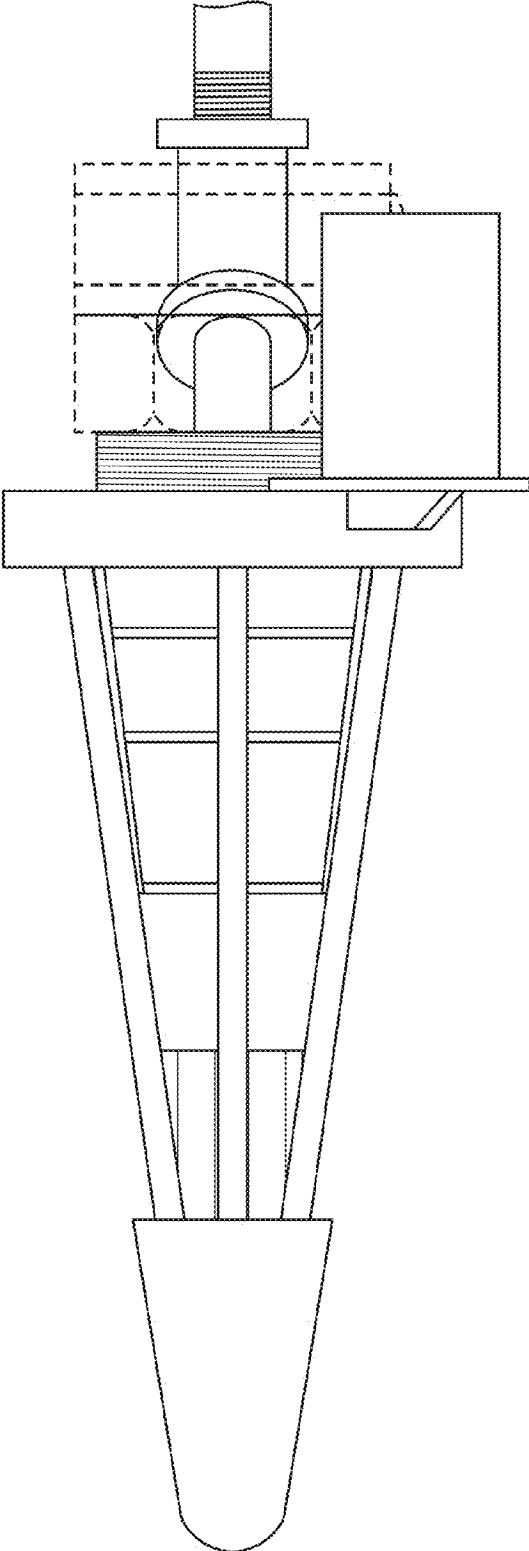


Fig. 5

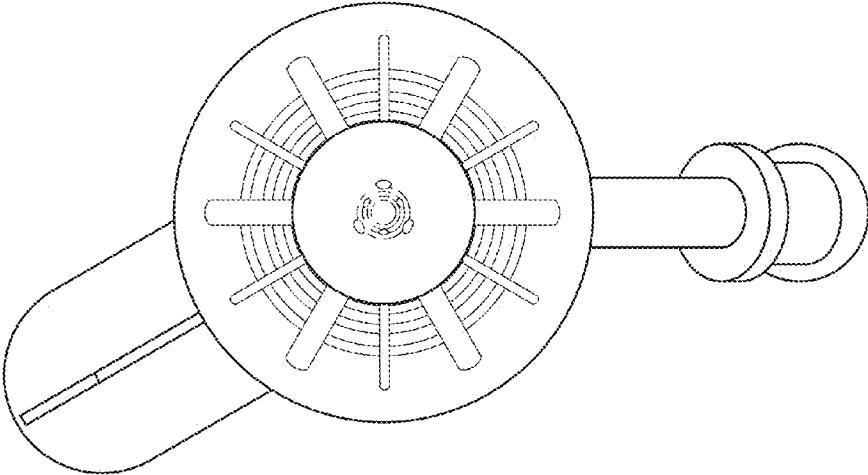


Fig. 6

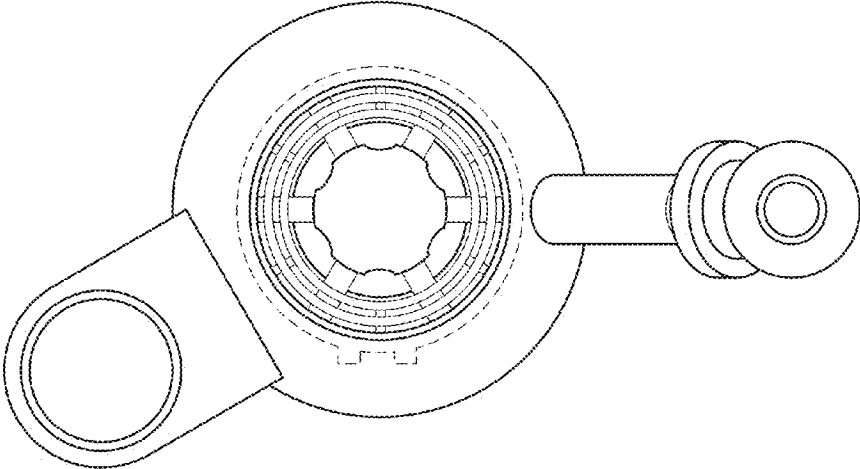


Fig. 7