



US00D785891S

(12) **United States Design Patent** (10) **Patent No.:** **US D785,891 S**
Mann et al. (45) **Date of Patent:** **** May 2, 2017**

(54) **TABLE TOP WASTE RECEPTACLE**
(71) Applicants: **Josephine Herbert Mann**, West Palm Beach, FL (US); **William Evarts Benjamin, III**, West Palm Beach, FL (US)
(72) Inventors: **Josephine Herbert Mann**, West Palm Beach, FL (US); **William Evarts Benjamin, III**, West Palm Beach, FL (US)

D462,214 S * 9/2002 Ong D6/518
6,508,377 B1 * 1/2003 Griswold B65F 1/06
220/495.06
D554,322 S * 10/2007 Pollack D34/7
D617,609 S * 6/2010 Thomas D7/601
D681,297 S * 4/2013 Swartwout D34/1
2004/0178198 A1 * 9/2004 Lauer B65F 1/06
220/23.87
2010/0230302 A1 * 9/2010 Yang B65D 77/0453
206/233

(**) Term: **15 Years**

* cited by examiner

Primary Examiner — Cynthia Ramirez
Assistant Examiner — Gino Colan
(74) *Attorney, Agent, or Firm* — Simpson & Simpson, PLLC

(21) Appl. No.: **29/543,633**

(22) Filed: **Oct. 27, 2015**

(51) **LOC (10) Cl.** **09-09**

(57) **CLAIM**

(52) **U.S. Cl.**
USPC **D34/1**

The ornamental design for a table top waste receptacle, as shown and described.

(58) **Field of Classification Search**
USPC D34/1-11; 220/908, 910, 200, 911,
220/495.01, 495.04, 495.05, 913,
220/700-702, 601, 495.06; D32/53, 53.1;
D7/612, 601; 232/43.2; D6/518;
206/233
CPC A47B 13/16; B65F 1/00; B65F 2210/104
See application file for complete search history.

DESCRIPTION

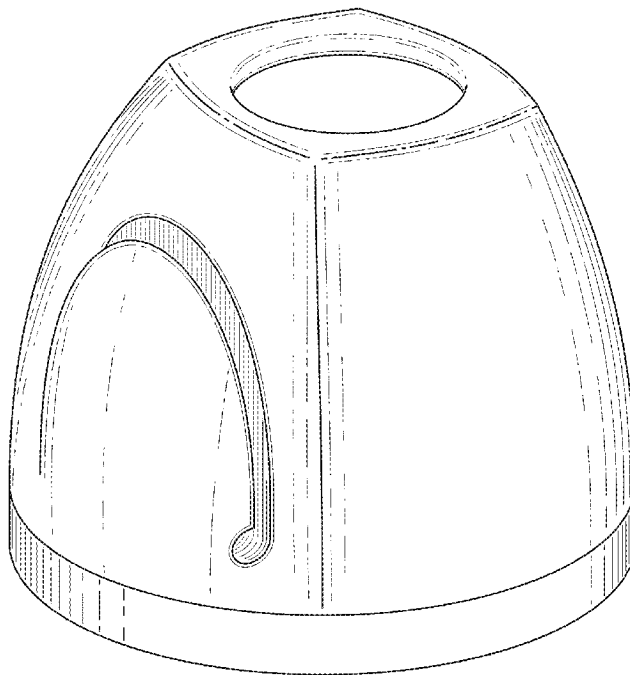
FIG. 1 is a front perspective view of a table top waste receptacle showing our new design;
FIG. 2 is a front elevational view thereof;
FIG. 3 is a rear elevational view thereof;
FIG. 4 is a left side elevational view thereof;
FIG. 5 is a right side elevational view thereof;
FIG. 6 is a top plan view thereof;
FIG. 7 is a bottom plan view thereof; and,
FIG. 8 is a cross-sectional view thereof, taken generally along line 8-8 of FIG. 2.

(56) **References Cited**

U.S. PATENT DOCUMENTS

5,000,334 A * 3/1991 Miller A47G 19/30
220/601
D371,708 S * 7/1996 Haley D6/518

1 Claim, 8 Drawing Sheets



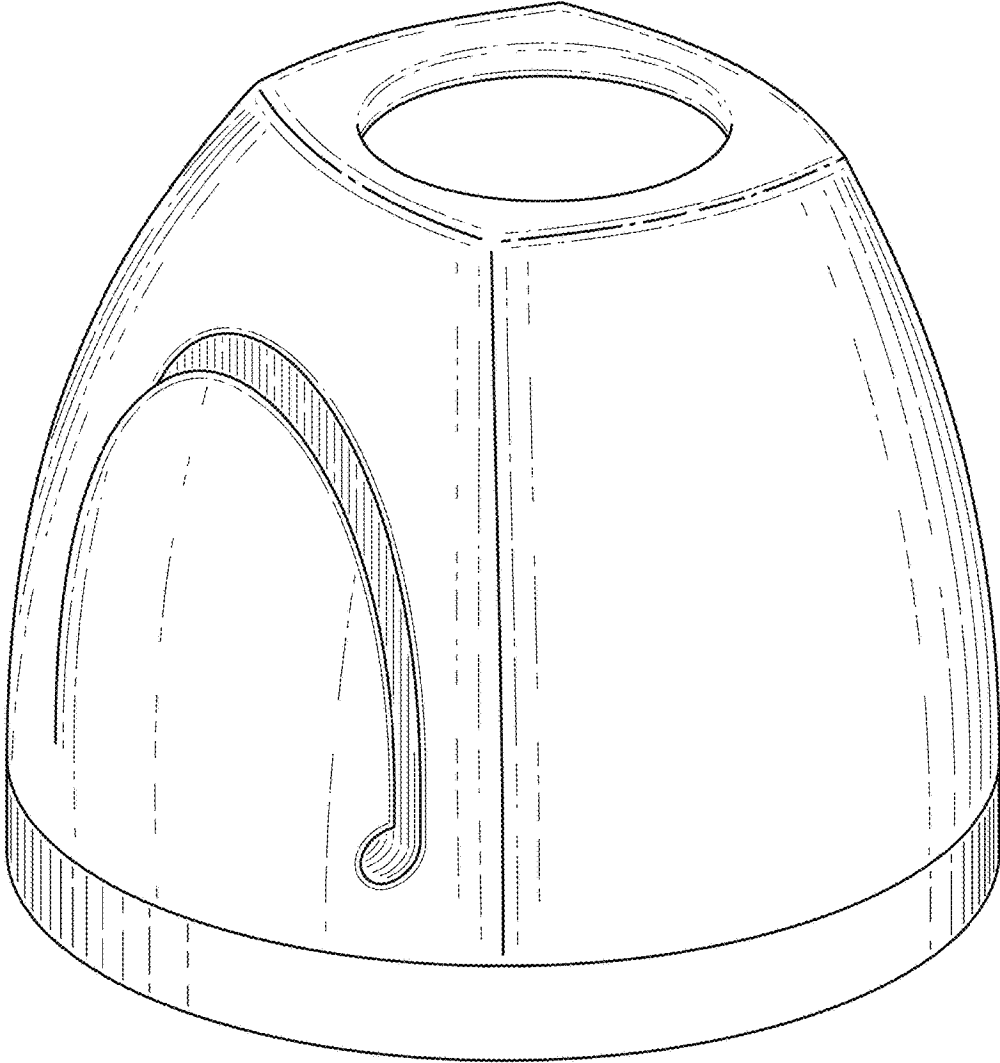


Fig. 1

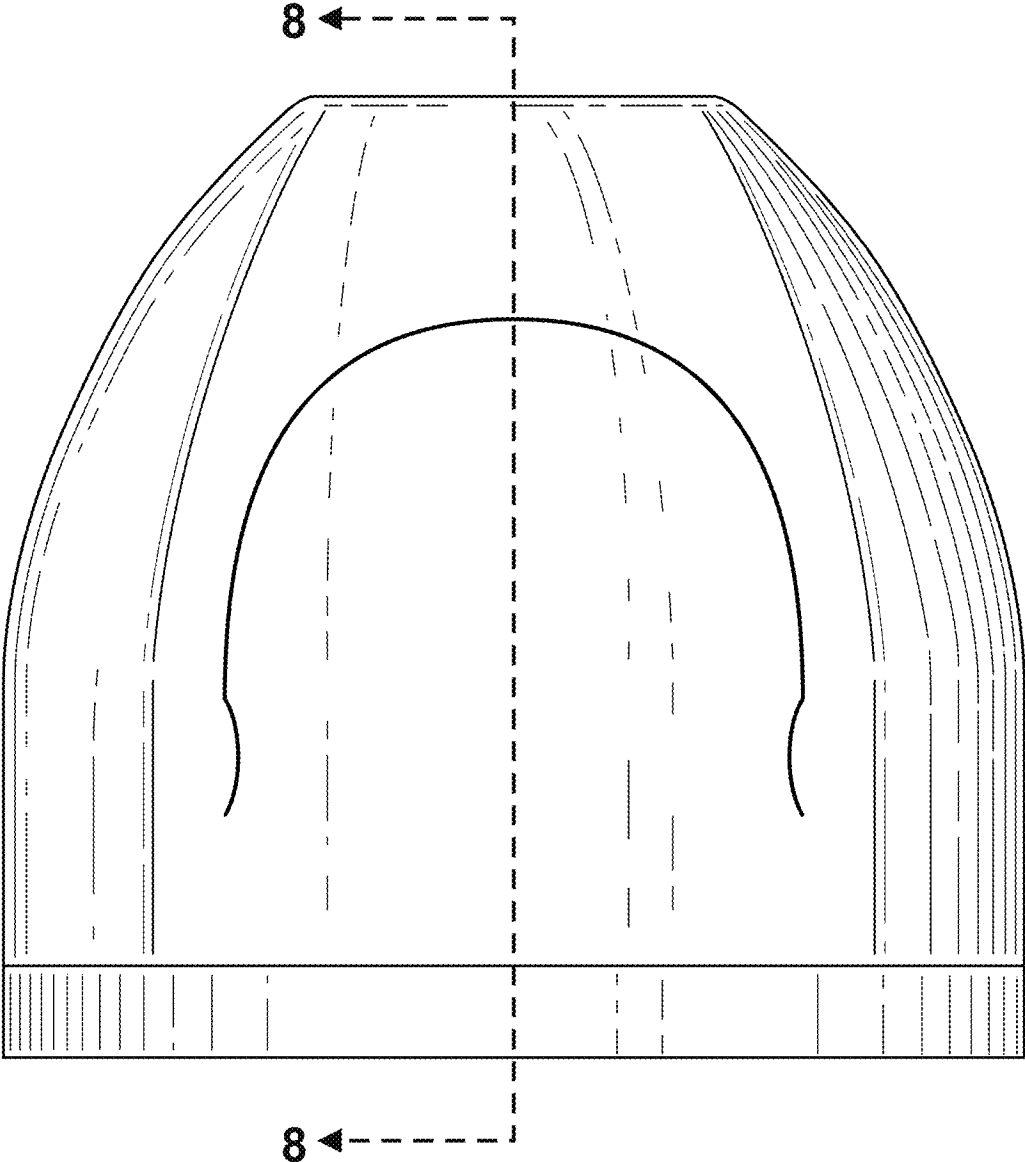


Fig. 2

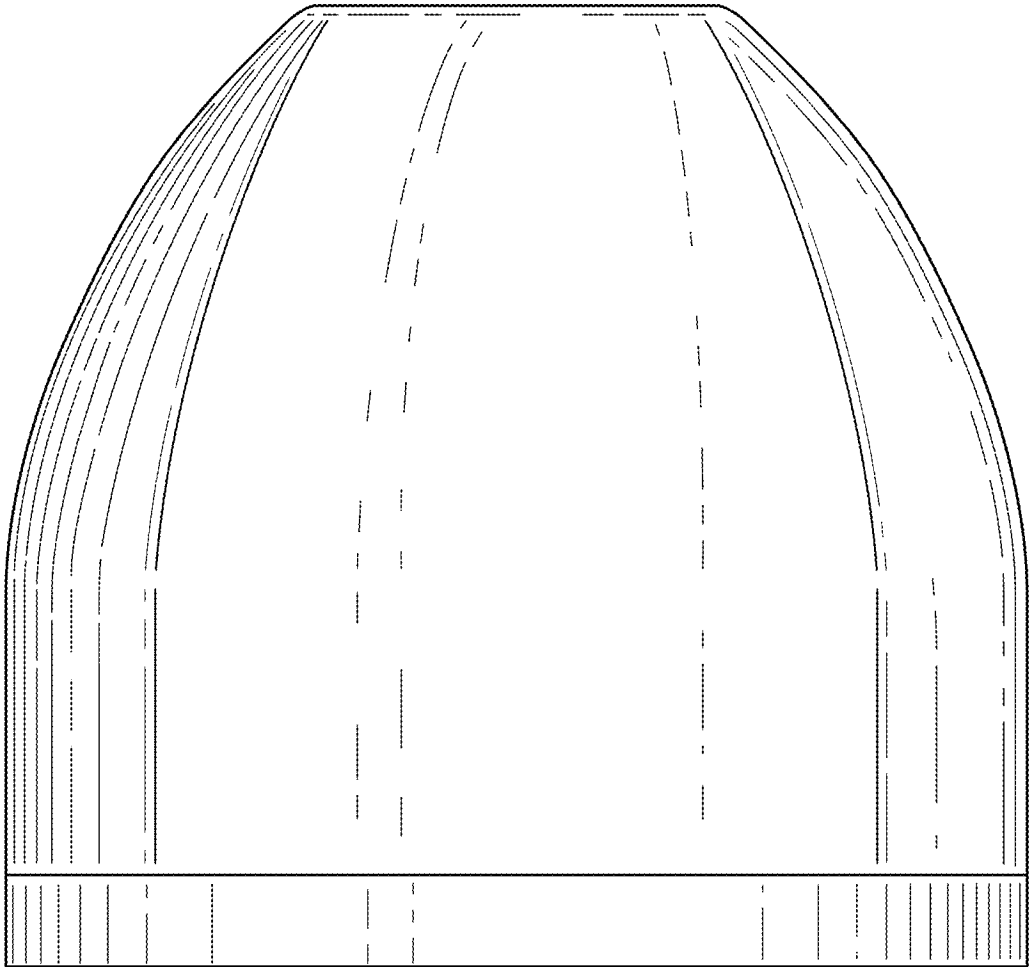


Fig. 3

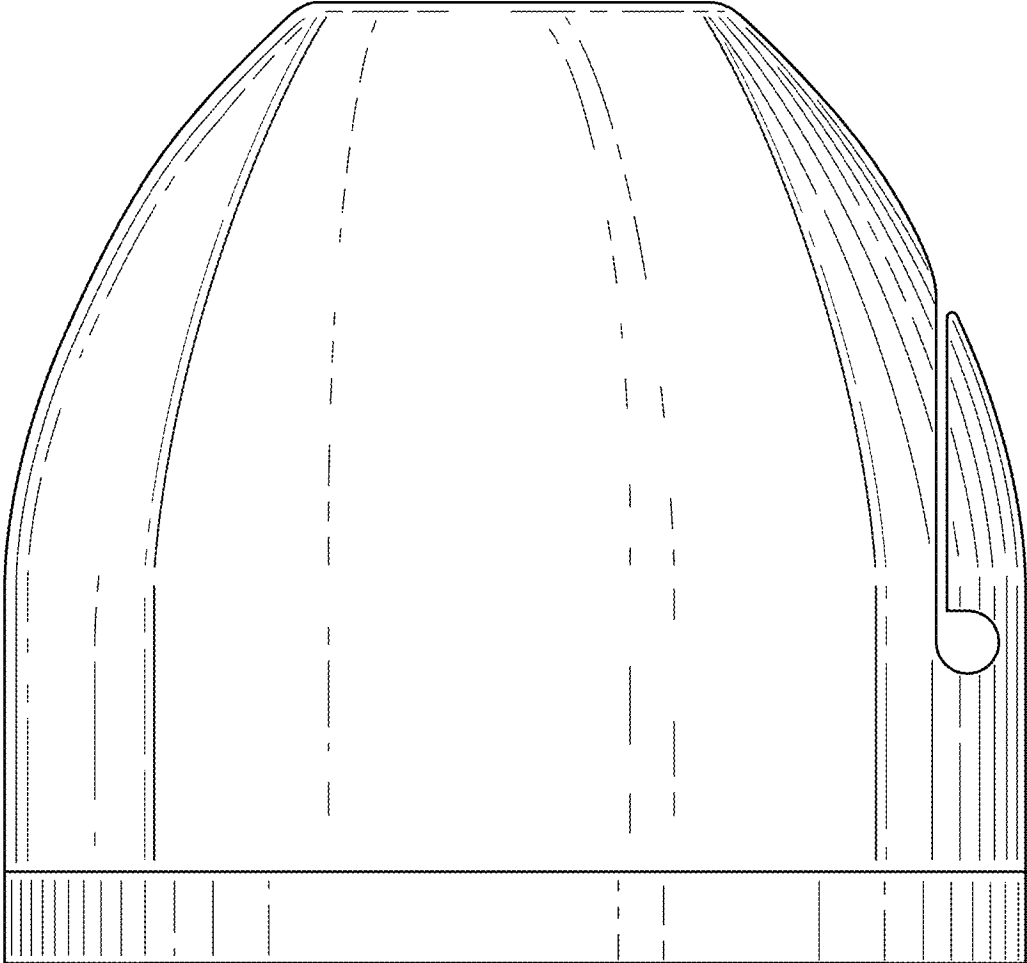


Fig. 4

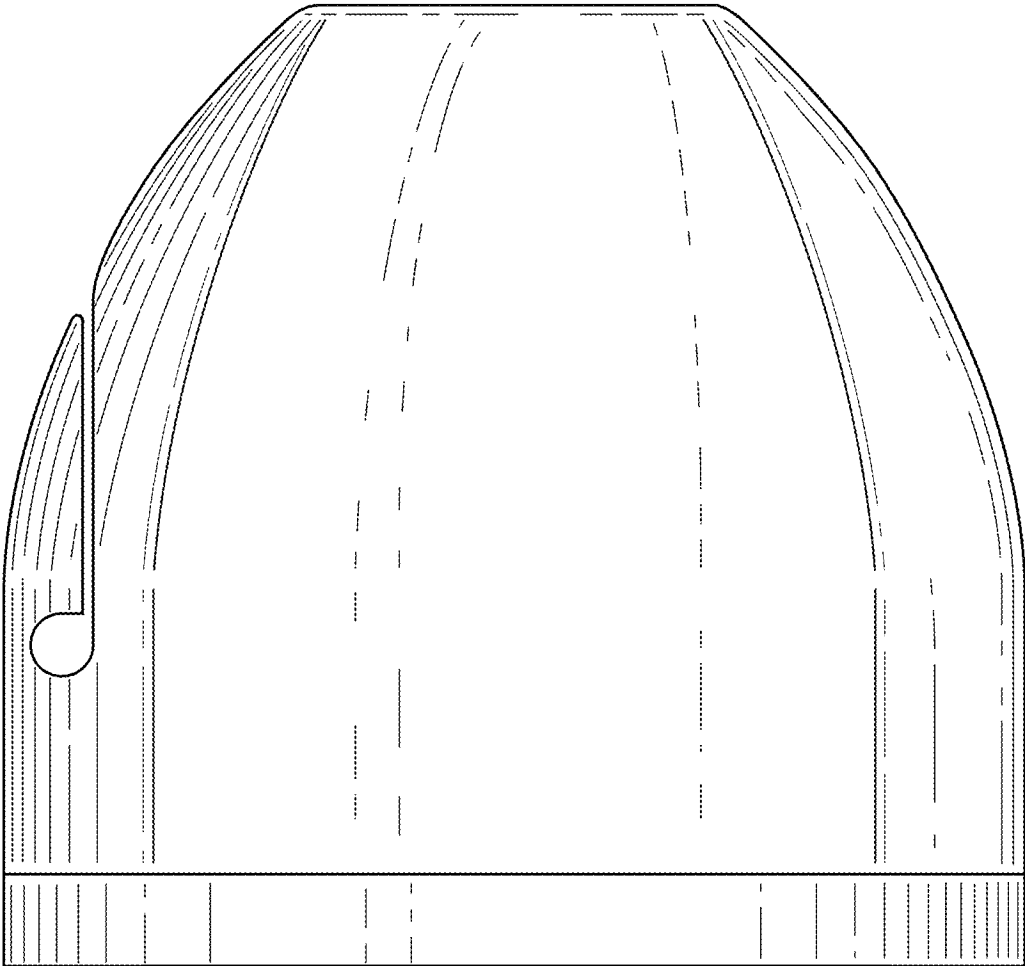


Fig. 5

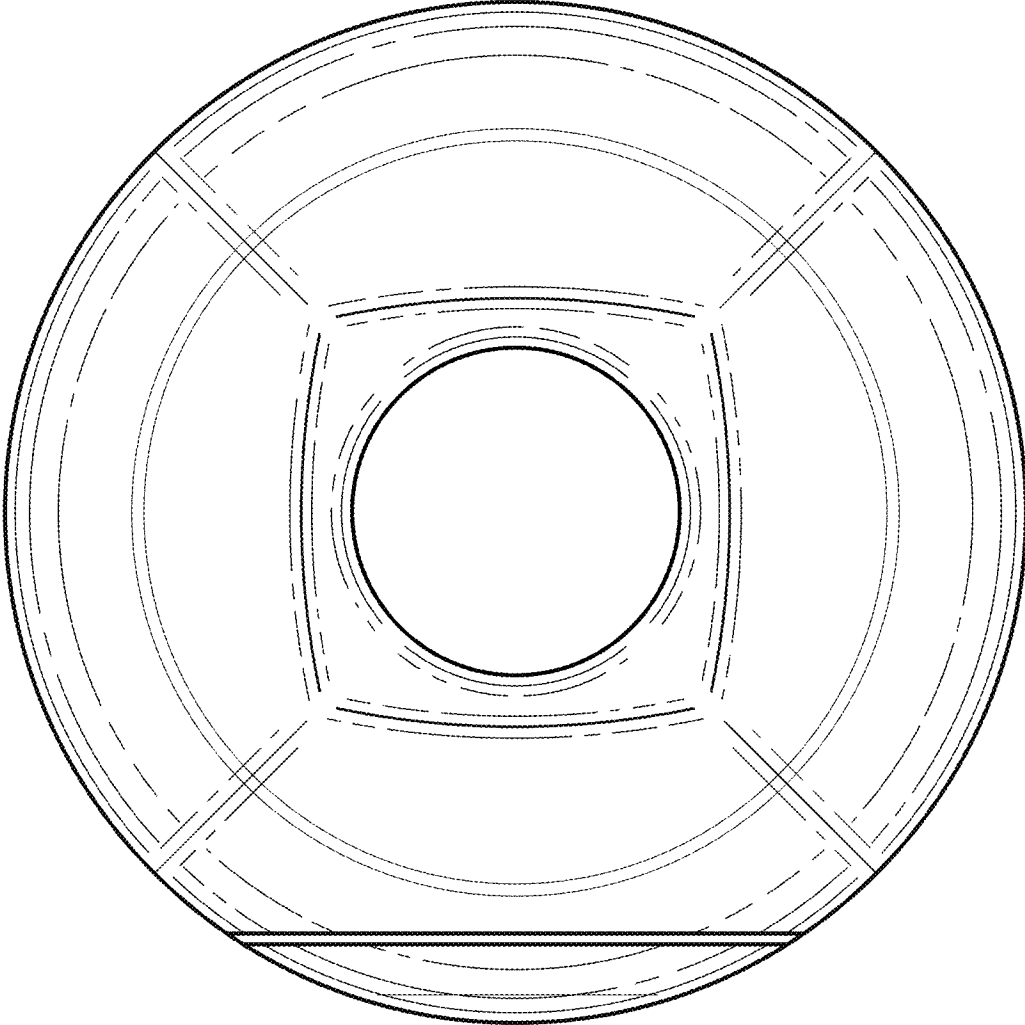


Fig. 6

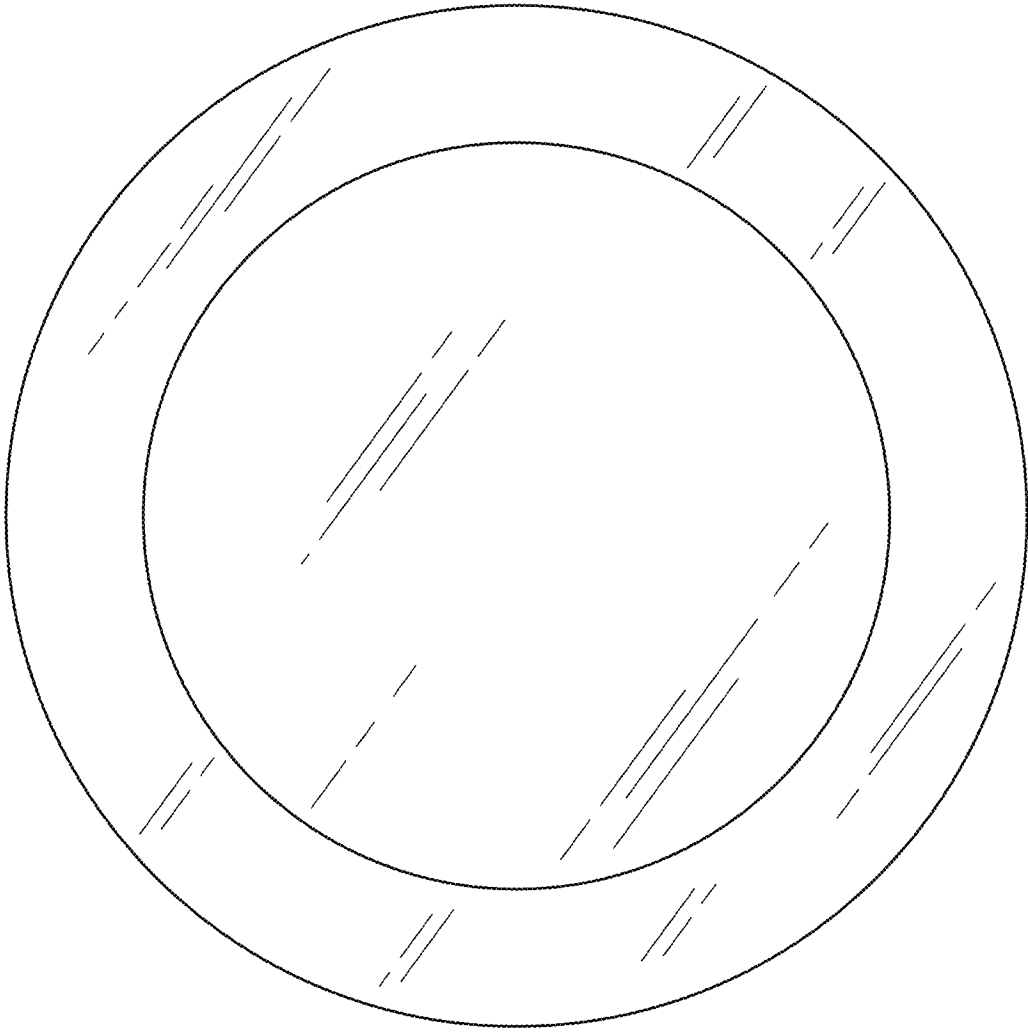


Fig. 7

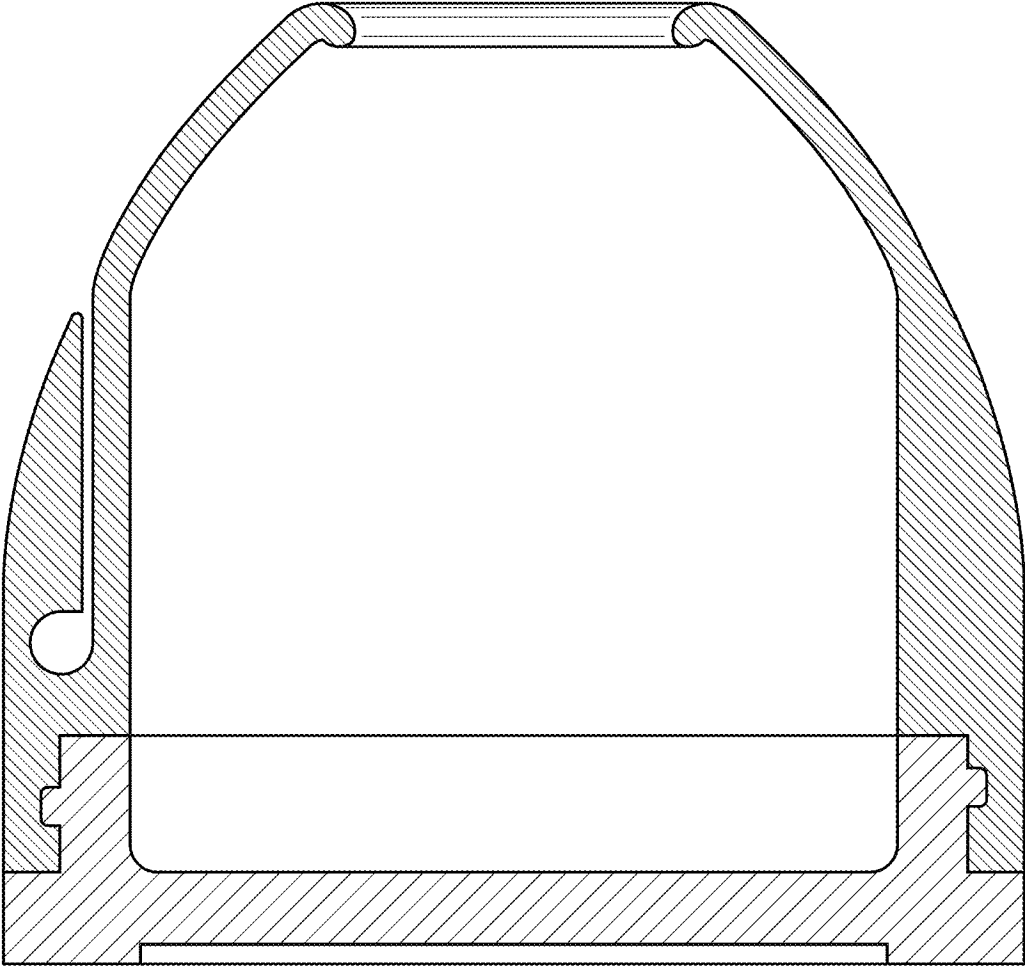


Fig.8