



US00D814728S

(12) **United States Design Patent**
Duve

(10) **Patent No.:** **US D814,728 S**

(45) **Date of Patent:** **** Apr. 3, 2018**

(54) **SCRAPER EDGED POOL SKIMMER BAG**

(71) Applicant: **Robert F. Duve**, Clarence, NY (US)

(72) Inventor: **Robert F. Duve**, Clarence, NY (US)

(**) Term: **15 Years**

(21) Appl. No.: **29/505,307**

(22) Filed: **Sep. 9, 2015**

(51) **LOC (11) Cl.** **08-99**

(52) **U.S. Cl.**
USPC **D32/46**

(58) **Field of Classification Search**
USPC D32/35, 46, 49, 42; D22/135;
D23/209-210
CPC A47L 13/08; A47L 17/06; A47L 13/022;
A47L 1/16; A63F 3/068; B29C 63/0047;
B60S 3/045; B27G 17/00; B60J 3/0295;
B25B 13/48; B25G 1/04; B25G 3/26;
B05C 17/0205; A45B 9/02

See application file for complete search history.

(56) **References Cited**

U.S. PATENT DOCUMENTS

3,220,037	A *	11/1965	Ruhling	E04H 4/1609	15/1.7
4,846,972	A *	7/1989	Anderson	E04H 4/1609	15/1.7
D316,619	S	4/1991	Richardson			
D330,444	S *	10/1992	Wall	D22/135	
6,302,277	B1 *	10/2001	Resh	B01D 29/27	15/1.7
6,358,410	B1	3/2002	Lambert			

D488,602	S *	4/2004	Pecci	D32/35	
D492,825	S *	7/2004	Pecci	D32/35	
D555,853	S	11/2007	Brown			
D638,182	S *	5/2011	Rossano	D32/35	
D638,183	S	5/2011	Rossano			
D668,053	S	10/2012	Cummings			
D761,498	S *	7/2016	Minter	D30/162	
D762,929	S *	8/2016	Minter	D30/162	
D763,520	S *	8/2016	Runyan	D30/162	

* cited by examiner

Primary Examiner — Michael A. Pratt
Assistant Examiner — Michelle E Wilson
(74) *Attorney, Agent, or Firm* — Simpson & Simpson, PLLC

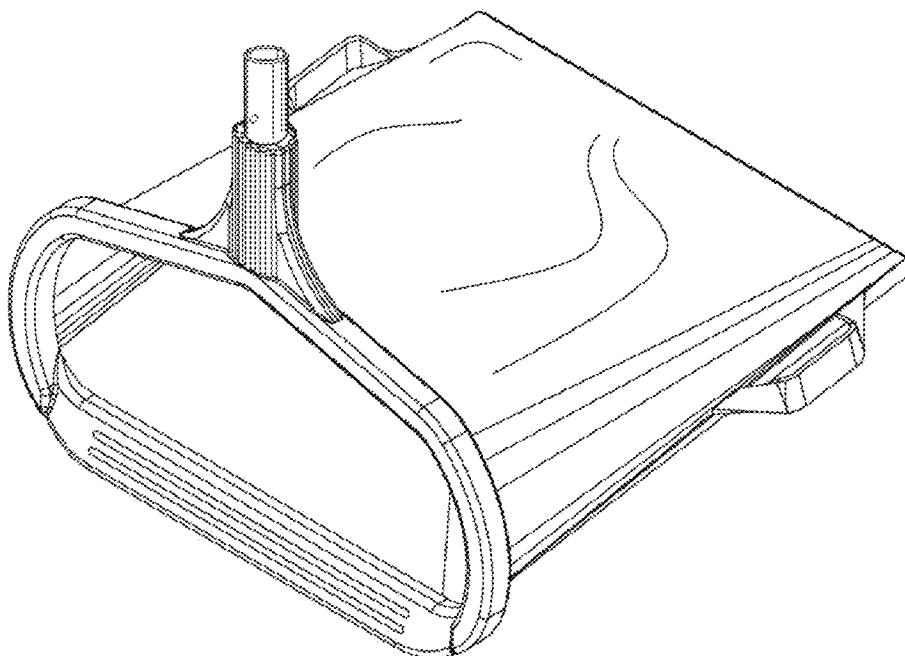
(57) **CLAIM**

The ornamental design for a scraper edged pool skimmer bag, substantially as shown and described.

DESCRIPTION

FIG. 1 is a left perspective view of the present design. FIG. 2 is a right perspective view of the present design. FIG. 3 is a bottom view of the present design. FIG. 4 is a top view of the present design. FIG. 5 is a left side view of the present design. FIG. 6 is a right side view of the present design. FIG. 7 is a top view of the present design; and, FIG. 8 is a bottom view of the present design. The center portion of the skimmer includes symbols representing impervious material.

1 Claim, 4 Drawing Sheets



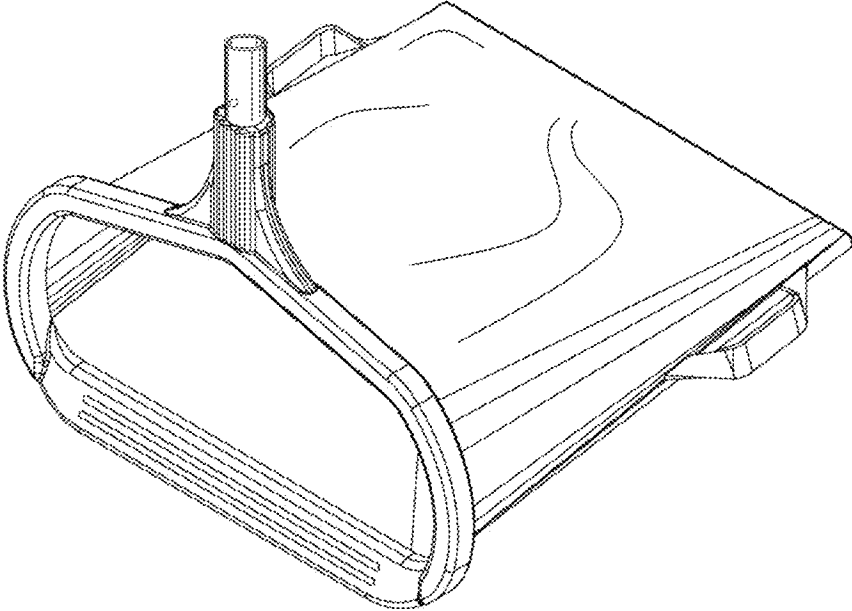


Fig.1

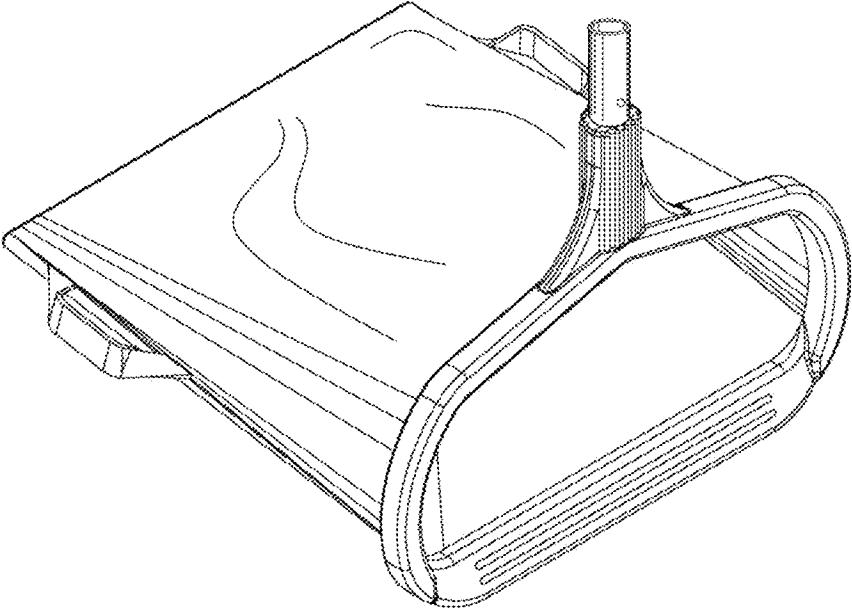


Fig.2

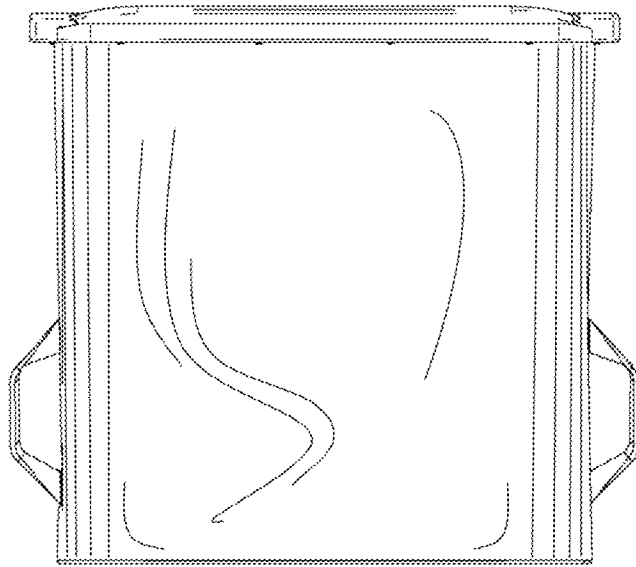


Fig.3

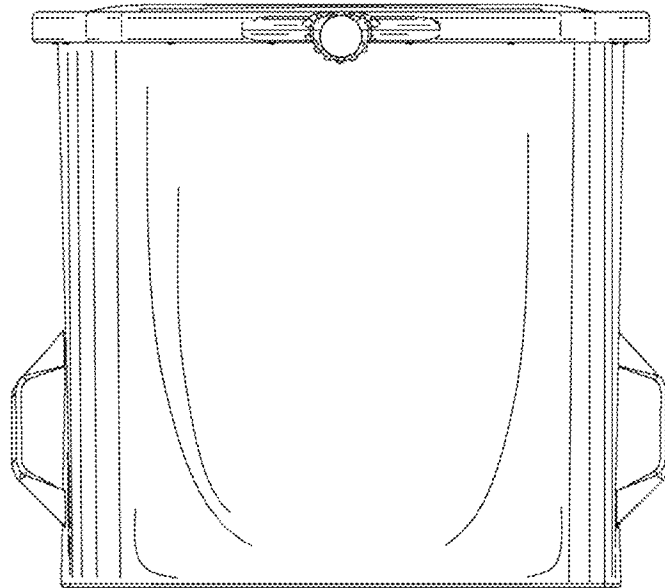


Fig.4

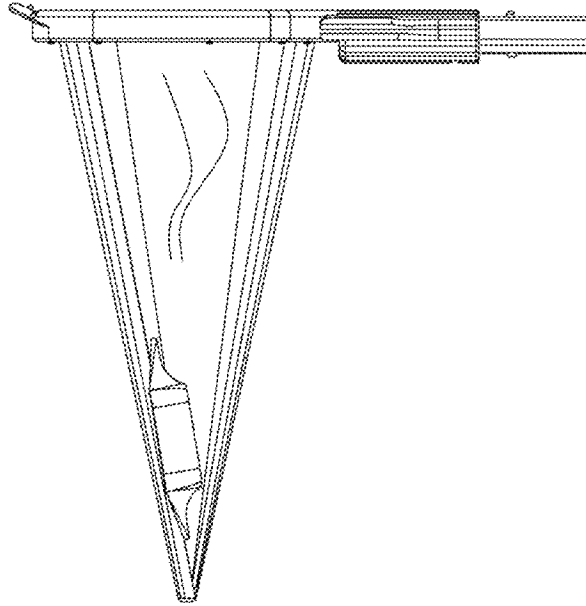


Fig.5

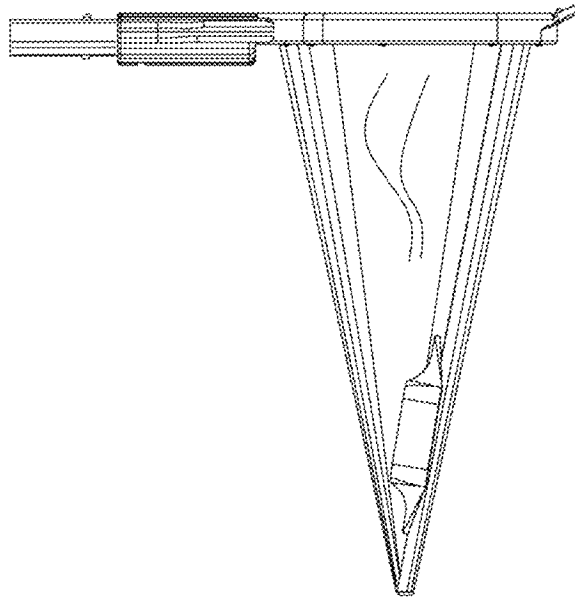


Fig.6

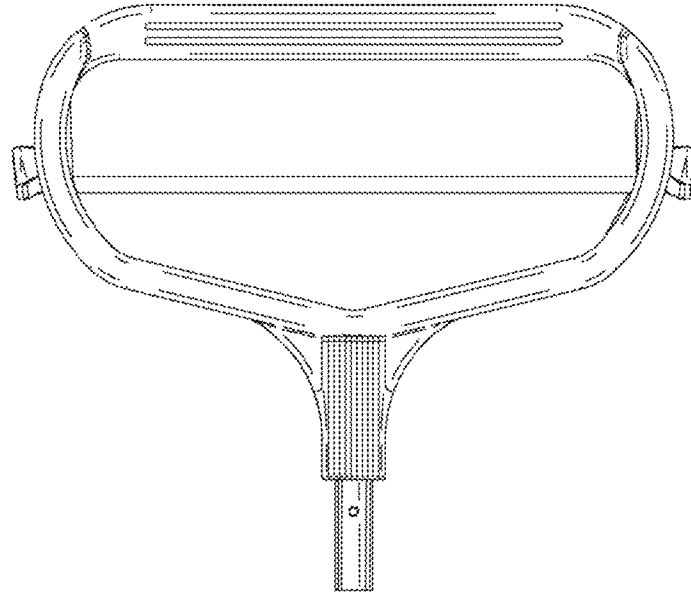


Fig.7

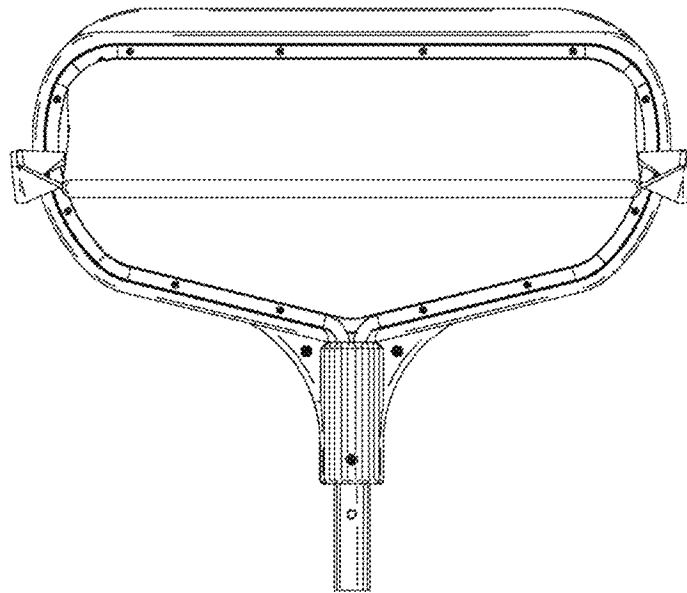


Fig.8