



US00D816455S

(12) **United States Design Patent**
Fire

(10) **Patent No.:** **US D816,455 S**

(45) **Date of Patent:** **** May 1, 2018**

(54) **SHARPENER**

D744,803 S * 12/2015 Johnson D8/93
D744,804 S * 12/2015 Johnson D8/93
D746,656 S * 1/2016 Smith D27/141

(Continued)

(71) Applicant: **Arthur Lansky Levine & Associates, Inc.**, Tonawanda, NY (US)

(72) Inventor: **Christopher P. Fire**, North Tonawanda, NY (US)

(73) Assignee: **Arthur Lansky Levine & Associates, Inc.**, Tonawanda, NY (US)

(**) Term: **15 Years**

(21) Appl. No.: **29/571,887**

(22) Filed: **Jul. 22, 2016**

(51) **LOC (11) Cl.** **08-05**

(52) **U.S. Cl.**
USPC **D8/91**

(58) **Field of Classification Search**
USPC D8/14, 90-94, 98, 99, 105, 107
CPC B24B 3/54; B24B 3/546; B24D 15/065;
B24D 15/08; B24D 15/081; B24D 15/082
See application file for complete search history.

(56) **References Cited**

U.S. PATENT DOCUMENTS

D241,504 S *	9/1976	Krusche et al.	D8/91
D375,241 S	11/1996	Pigott	
D375,442 S *	11/1996	Hughes	D8/16
6,039,642 A	3/2000	Collins	
6,101,898 A	8/2000	Gore et al.	
D512,624 S *	12/2005	Taylor	D8/99
D578,581 S *	10/2008	Smith	D21/667
D655,145 S *	3/2012	Smith	D8/91
8,221,199 B2	7/2012	Smith	
8,512,105 B2	8/2013	Smith	
D723,898 S *	3/2015	Smith	D8/105
D730,133 S *	5/2015	Sun	D8/35
D731,278 S *	6/2015	Cavanaugh	D8/105
D735,553 S *	8/2015	Demers	D8/107

OTHER PUBLICATIONS

Lansky Quadsharp. Snagged Oct. 2, 2017 from <http://tacticalgear.com/lansky-quadsharp-blue?hp=y&ob=...>

(Continued)

Primary Examiner — Phillip S Hyder

(74) *Attorney, Agent, or Firm* — Simpson & Simpson, PLLC

(57) **CLAIM**

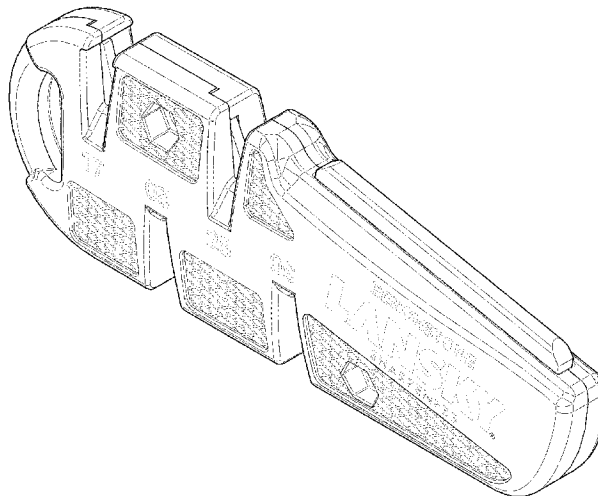
The ornamental design for a sharpener, as shown and described.

DESCRIPTION

FIG. 1 is a top perspective view of the sharpener of the present invention;
FIG. 2 is a front elevational view of the invention shown in FIG. 1;
FIG. 3 is a rear elevational view of the invention shown in FIG. 1;
FIG. 4 is a left side elevational view of the invention shown in FIG. 1;
FIG. 5 is a right side elevational view of the invention shown in FIG. 1;
FIG. 6 is a top plan view of the invention shown in FIG. 1; and;
FIG. 7 is a bottom plan view of the invention shown in FIG. 1.

The broken line showing of indicia shown in FIGS. 1, 4 and 5 is for the purpose of illustrating various markings and forms no part of the claimed design. Similarly, the broken line showing of knurled gripping regions shown in FIGS. 1, 4, 5, 6 and 7 is for the purpose of illustrating a representation of knurled gripping regions and forms no part of the claimed design.

1 Claim, 5 Drawing Sheets



(56)

References Cited

U.S. PATENT DOCUMENTS

D754,514	S	*	4/2016	Huber	D8/93
D761,631	S	*	7/2016	Jacobson	D8/105
D772,674	S	*	11/2016	Johnson	D8/91
D773,274	S	*	12/2016	Berman	D8/105
D788,564	S	*	6/2017	Demers	D8/107
2014/0127984	A1	*	5/2014	Smith	B25F 1/00 451/461
2015/0283678	A1		10/2015	Hangen et al.		

OTHER PUBLICATIONS

Smith's Pro Series Pocket Pal Sharpener and Survival Tool flyer, dated Nov. 26, 2012.

Smith's Edgesport Pocket Pal Knife Sharpener flyer, dated Jun. 5, 2012.

* cited by examiner

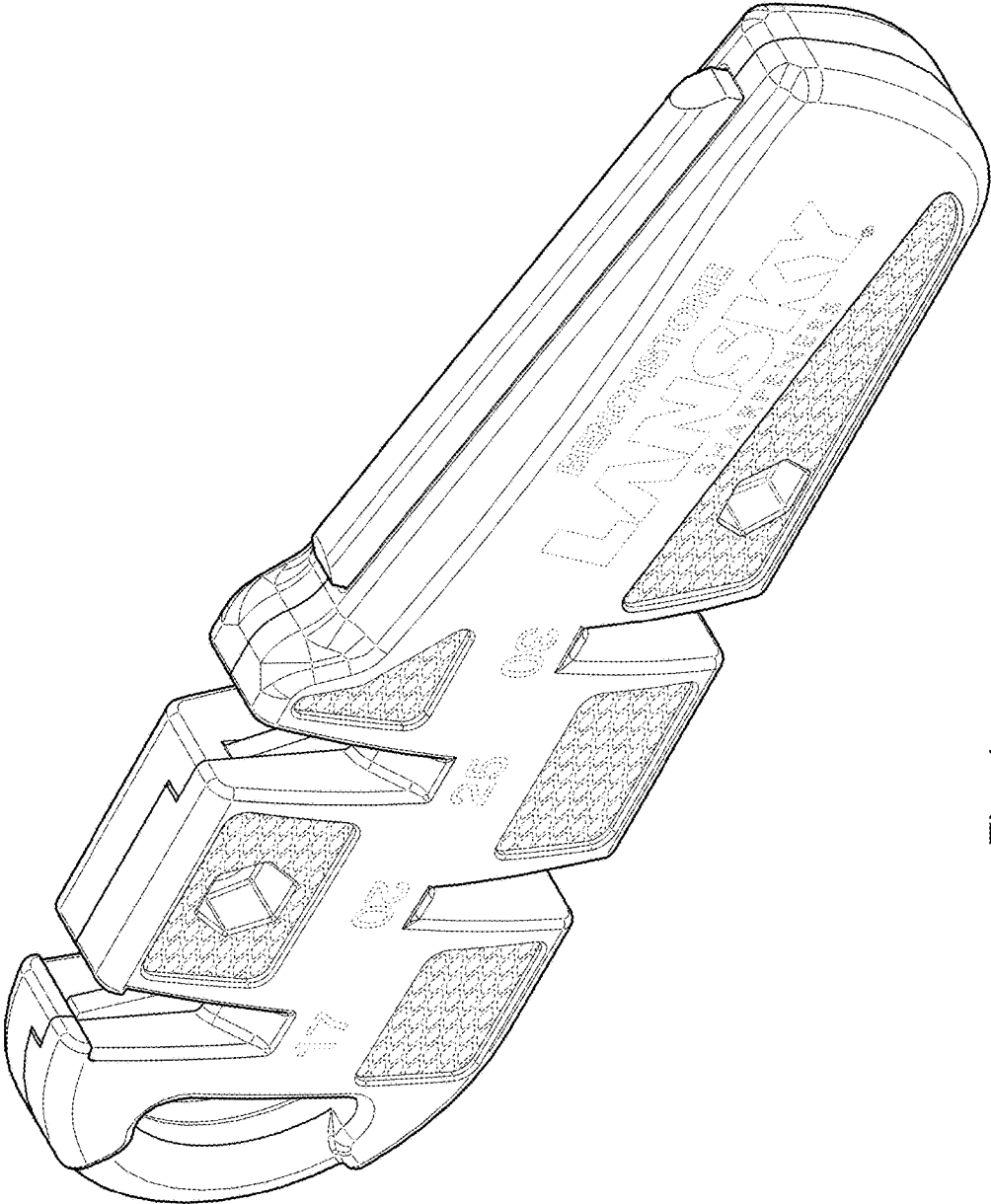


Fig. 1

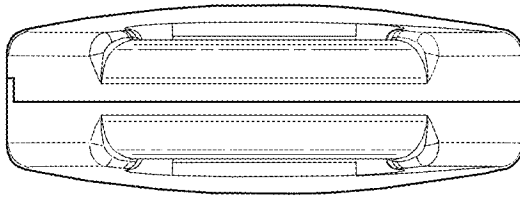


Fig. 3

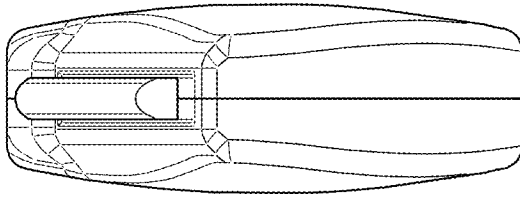


Fig. 2

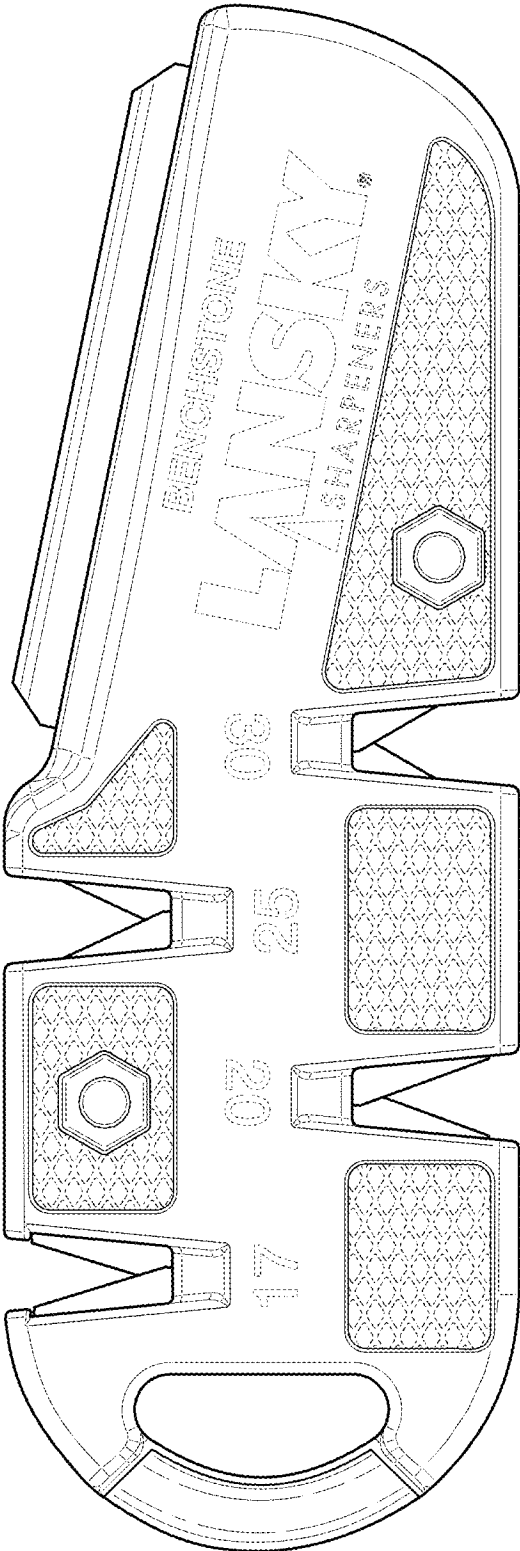


Fig. 4

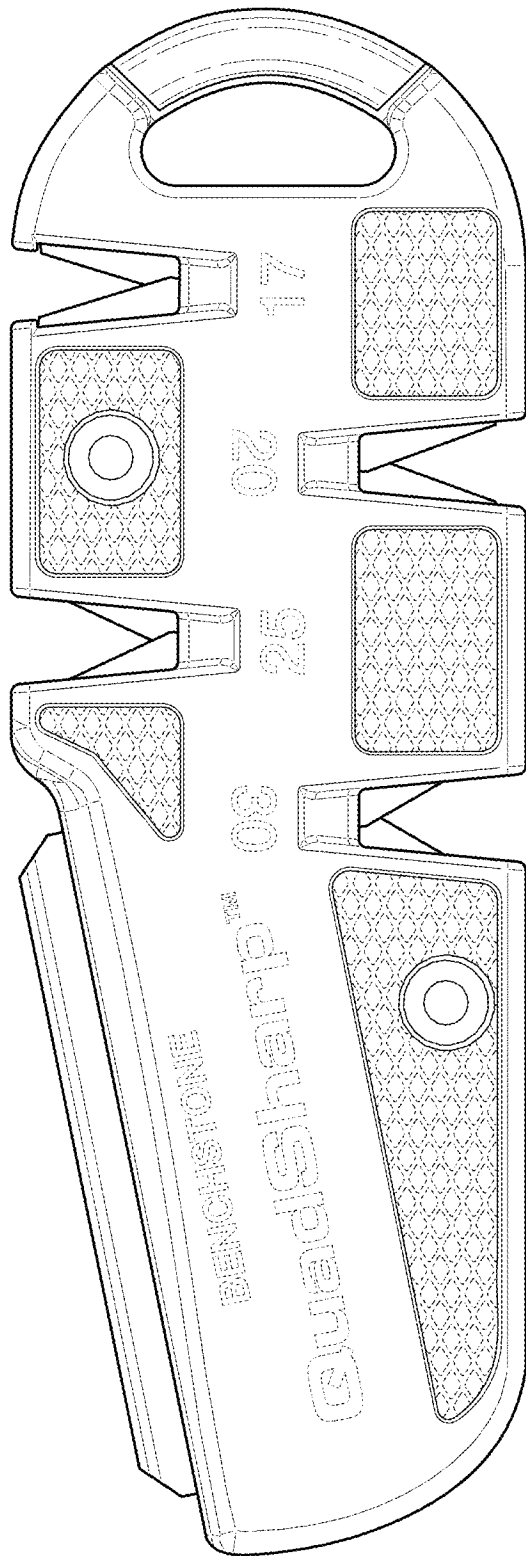


Fig. 5

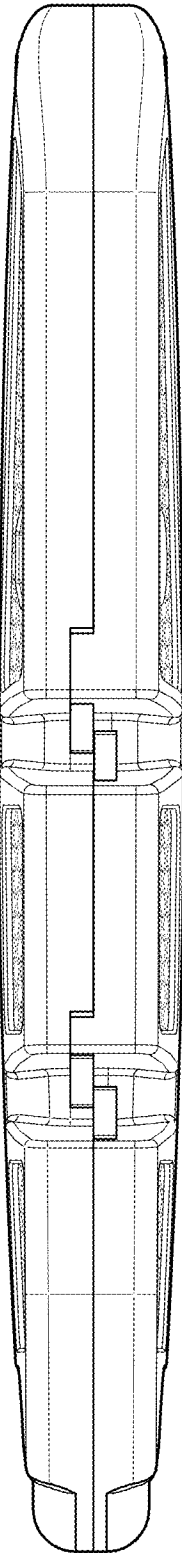


Fig. 7