



US00D818341S

(12) **United States Design Patent** (10) **Patent No.:** **US D818,341 S**  
**Graham et al.** (45) **Date of Patent:** **\*\* May 22, 2018**

(54) **COUNTERBALANCE**

OTHER PUBLICATIONS

(71) Applicant: **Weber Knapp Company**, Jamestown, NY (US)

[http://www.shopperschoice.com/item\\_item\\_2854886.html](http://www.shopperschoice.com/item_item_2854886.html); undated, last accessed Jun. 7, 2016.

(Continued)

(72) Inventors: **Daniel M. Graham**, Ashville, NY (US); **Jeremy F. Redlecki**, Clymer, NY (US)

*Primary Examiner* — Mark Goodwin  
(74) *Attorney, Agent, or Firm* — Simpson & Simpson, PLLC

(73) Assignee: **Weber Knapp Company**, Jamestown, NY (US)

(\*\*) Term: **15 Years**

(57) **CLAIM**

(21) Appl. No.: **29/563,068**

The ornamental design for a counterbalance, as shown and described.

(22) Filed: **May 2, 2016**

(51) **LOC (11) Cl.** ..... **08-06**

(52) **U.S. Cl.**  
USPC ..... **D8/323**

(58) **Field of Classification Search**

USPC .... D8/323, 325, 327, 328, 329; D10/95, 46; D7/409; 16/306

CPC ... E05D 3/12; E05D 11/0054; E05D 11/1014; E05D 1/04; E05Y 2900/602; E05F 1/1261; E05F 1/1058; E05B 73/007; E05B 65/50; E05C 17/365; E05C 17/36; E05C 17/025; B21D 56/40

See application file for complete search history.

**DESCRIPTION**

FIG. 1 is a front perspective view of the counterbalance of the present invention;

FIG. 2 is a back perspective view of the counterbalance shown in FIG. 1;

FIG. 3 is a front elevational view of the counterbalance shown in FIG. 1;

FIG. 4 is a rear elevational view of the counterbalance shown in FIG. 1;

FIG. 5 is a left side elevational view of the counterbalance shown in FIG. 1;

FIG. 6 is a right side elevational view of the counterbalance shown in FIG. 1;

FIG. 7 is a top plan view of the counterbalance shown in FIG. 1; and,

FIG. 8 is a bottom plan view of the counterbalance shown in FIG. 1.

The broken line showings of fasteners, e.g., screws, rivets, etc., depicted in the figures are for the purpose of illustrating various fasteners, and form no part of the claimed design. The broken line showing of a spring assembly depicted in the figures is for the purpose of illustrating a linear actuator, and forms no part of the claimed design.

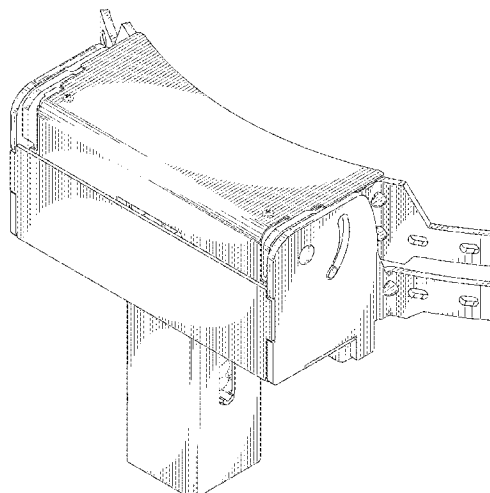
(56) **References Cited**

U.S. PATENT DOCUMENTS

1,059,221 A \* 4/1913 Saylor ..... B65D 51/28  
16/253  
4,382,312 A \* 5/1983 Liggett ..... E05D 3/06  
16/288  
5,394,590 A \* 3/1995 Yu ..... A47J 37/0786  
126/25 R  
5,850,828 A \* 12/1998 Valentino ..... A47J 37/0704  
126/201  
6,463,923 B2 \* 10/2002 Carley ..... A47J 36/12  
126/25 R

(Continued)

**1 Claim, 8 Drawing Sheets**



(56)

**References Cited**

U.S. PATENT DOCUMENTS

6,499,189 B2 \* 12/2002 Kondo ..... E05D 3/06  
 16/239  
 6,701,577 B1 \* 3/2004 Yeh ..... A47J 36/12  
 126/194  
 6,922,033 B2 \* 7/2005 Ziegenhorn ..... A47J 27/14  
 126/13  
 D507,957 S \* 8/2005 Nipke ..... D8/323  
 7,574,775 B2 \* 8/2009 Zetti ..... E05D 3/16  
 16/266  
 7,698,785 B2 \* 4/2010 Bennett ..... E05D 3/16  
 16/239  
 7,770,576 B2 \* 8/2010 Polkinghorn ..... A47J 37/0786  
 126/194  
 7,784,155 B2 \* 8/2010 Hoffman ..... E05D 3/10  
 16/367  
 D652,706 S \* 1/2012 Osaki ..... D8/323  
 D699,093 S \* 2/2014 Farnsworth ..... D8/323  
 D716,129 S \* 10/2014 Kashiwaguma ..... D8/323  
 D717,633 S \* 11/2014 Lu ..... D8/323  
 D730,149 S \* 5/2015 Smith ..... D8/323  
 D748,966 S \* 2/2016 Morinaga ..... D8/323  
 D749,394 S \* 2/2016 Morinaga ..... D8/323  
 D763,038 S \* 8/2016 Whitcomb ..... D7/409  
 9,603,484 B2 \* 3/2017 Cleveland ..... A47J 37/04  
 2008/0078374 A1 \* 4/2008 Polkinghorn ..... A47J 36/12  
 126/194

OTHER PUBLICATIONS

Viking Installation Guide, Viking Range Corporation, Greenwood, MI; C4 Outdoor Cooker Cart Assembly, created Apr. 23, 2008.

\* cited by examiner

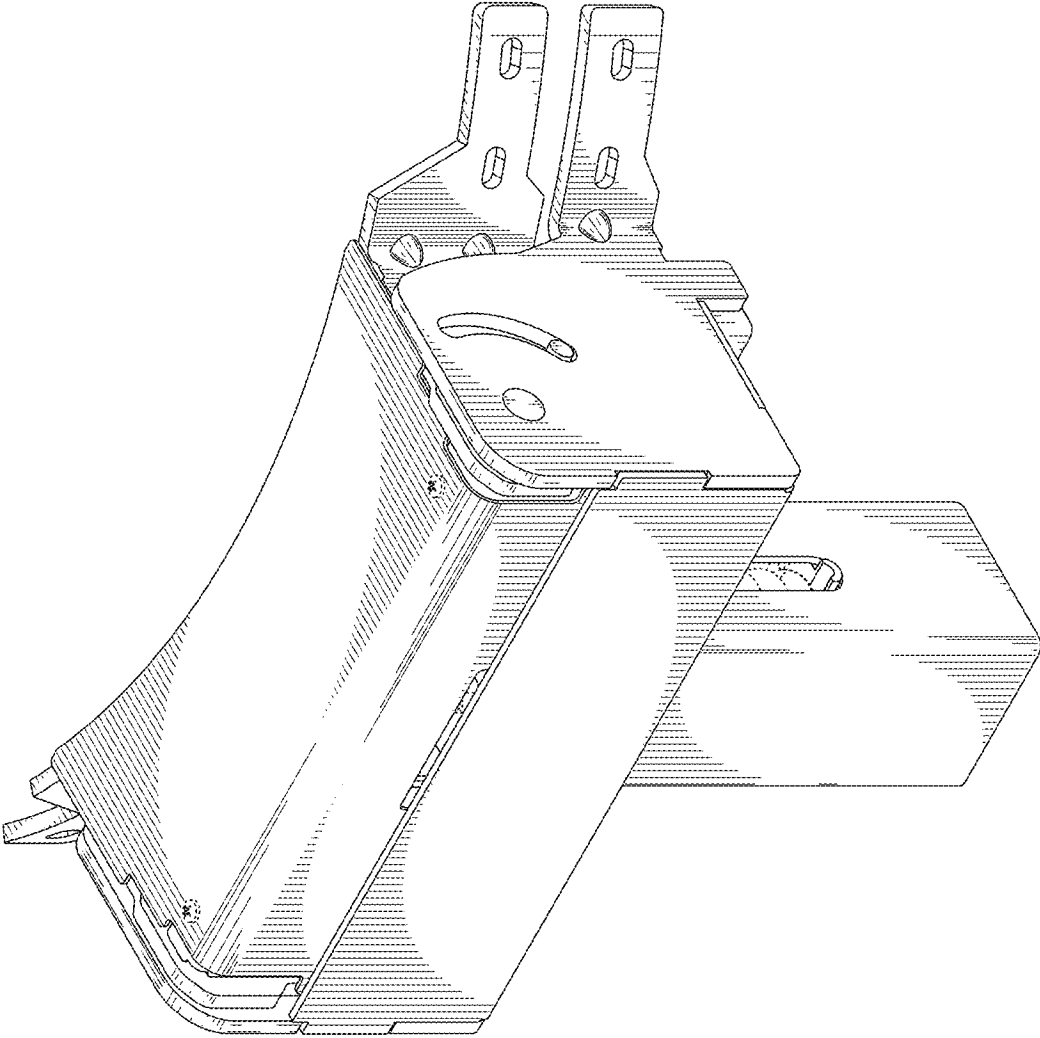


FIG. 1

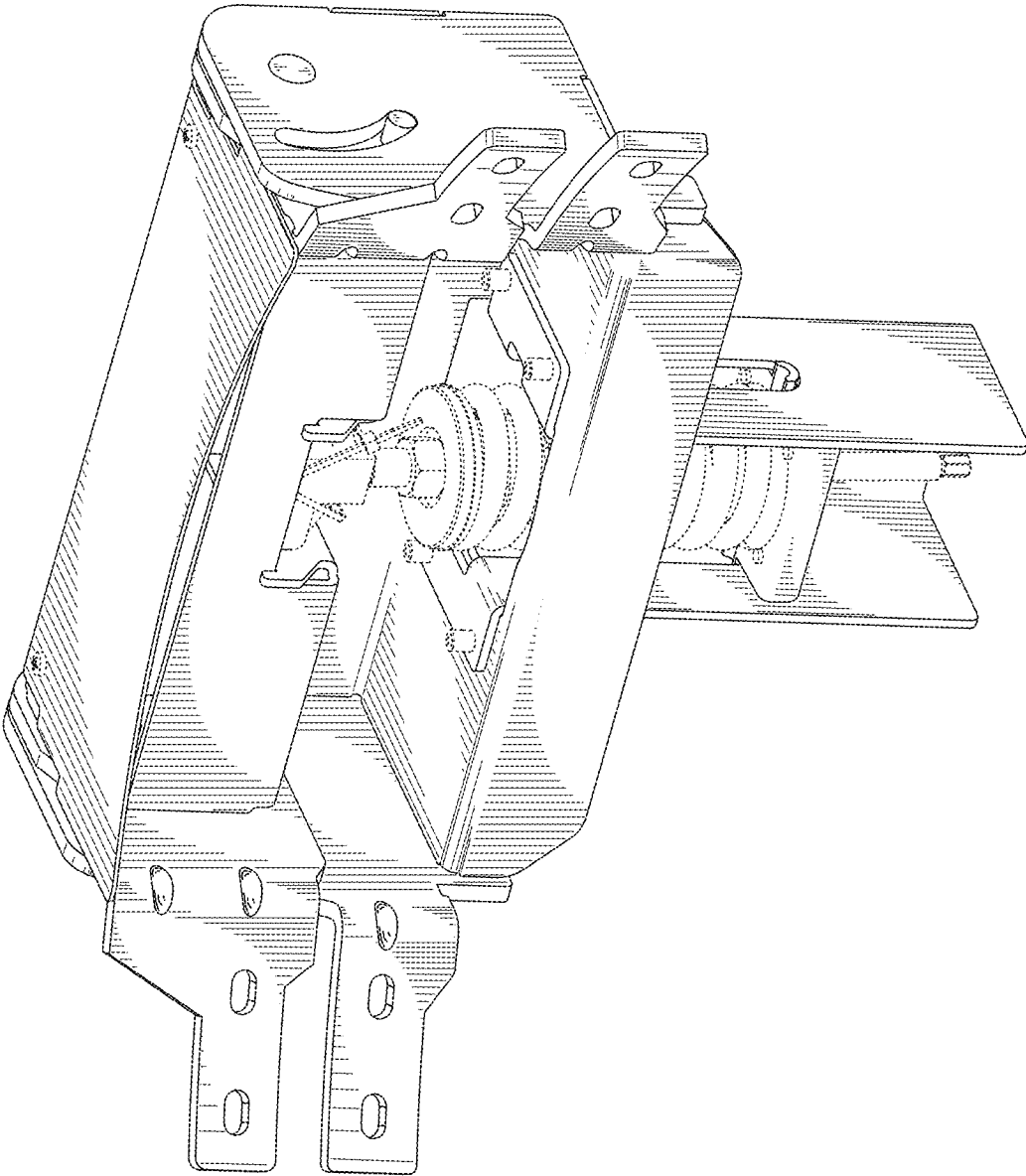


FIG. 2

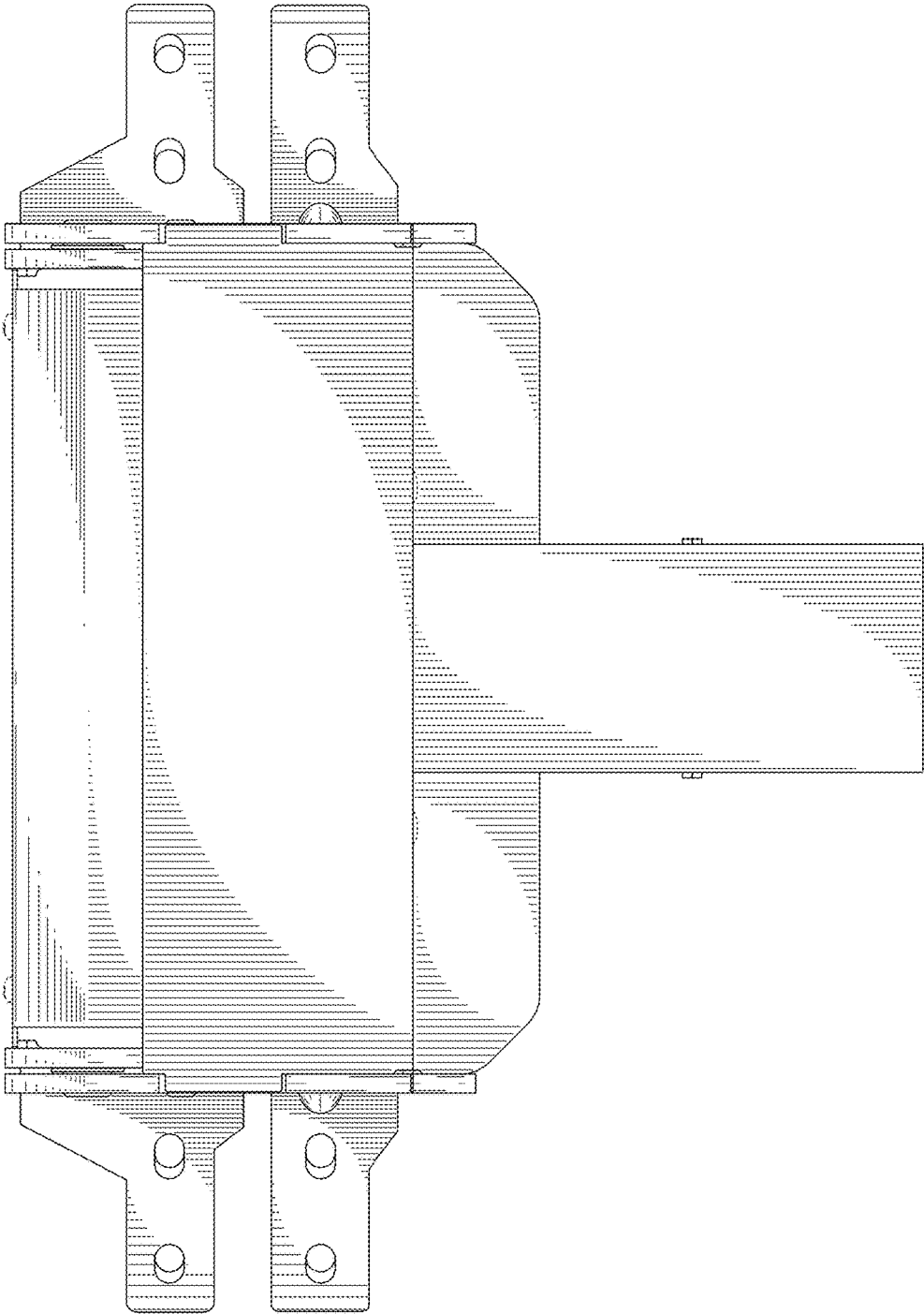


FIG. 3

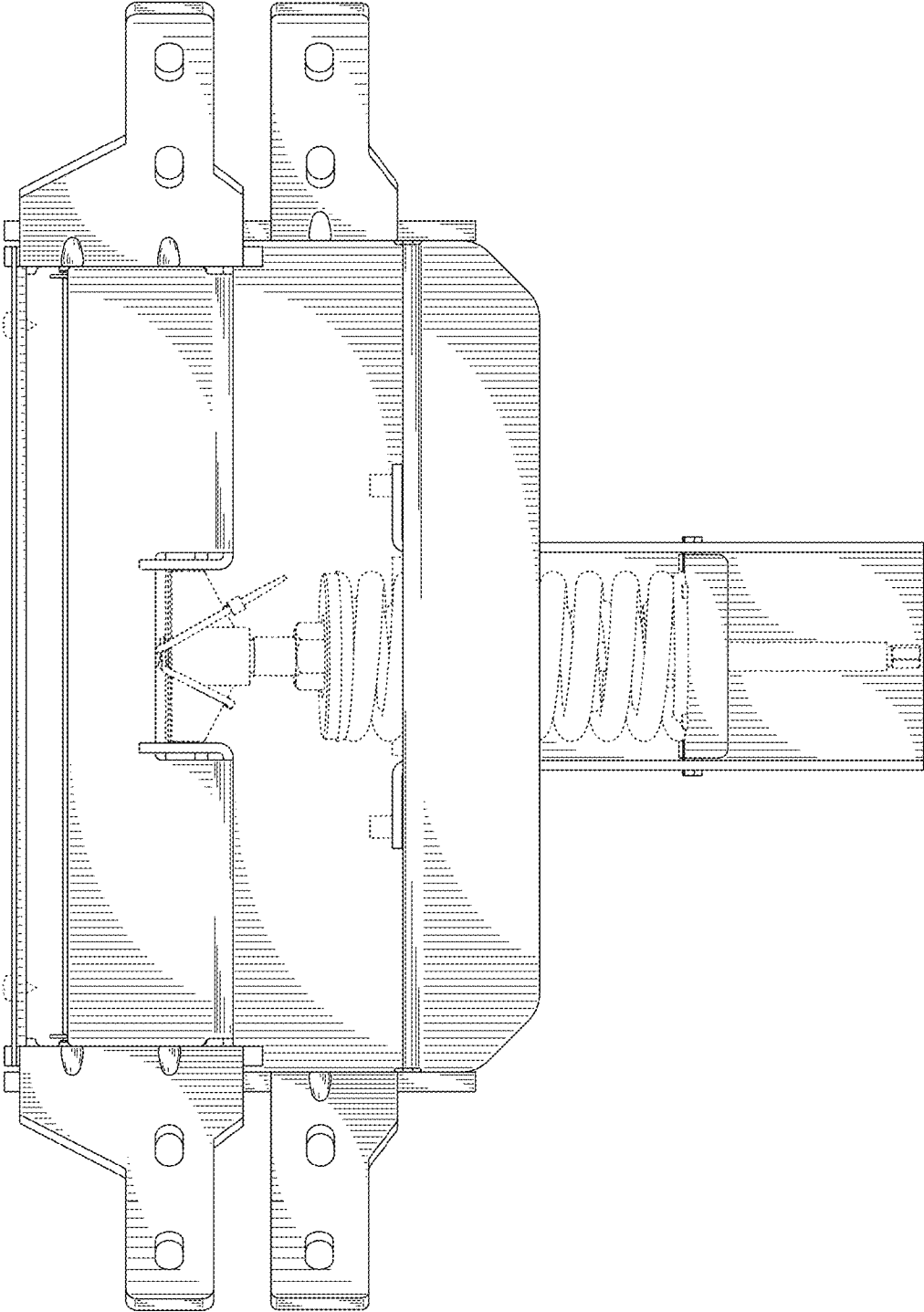


FIG. 4

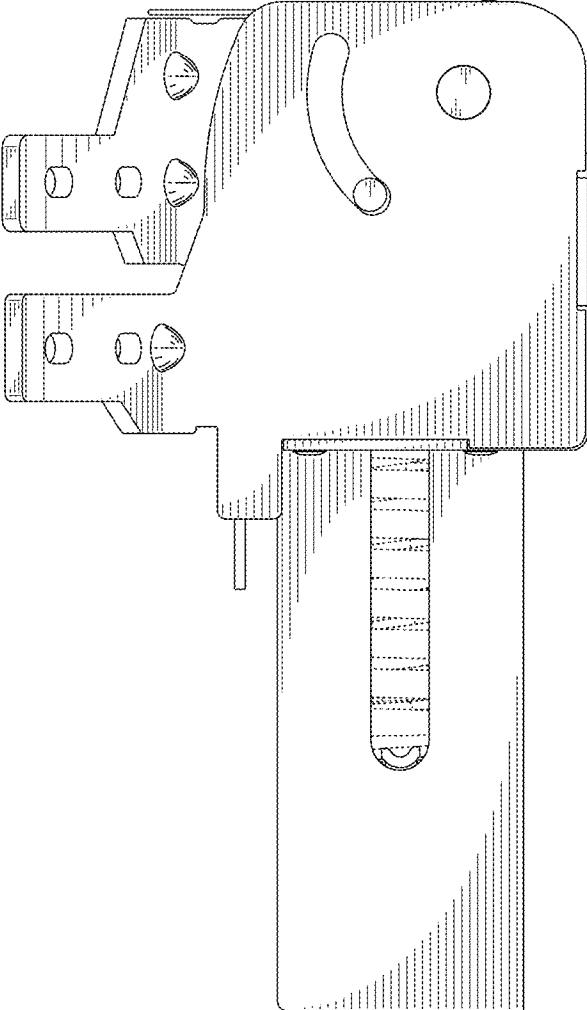


FIG. 5

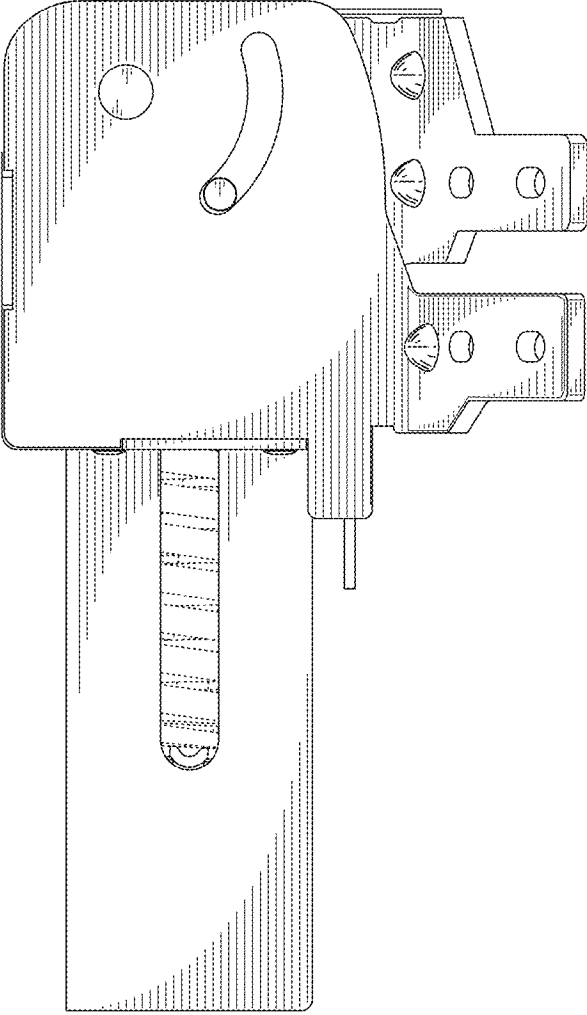


FIG. 6



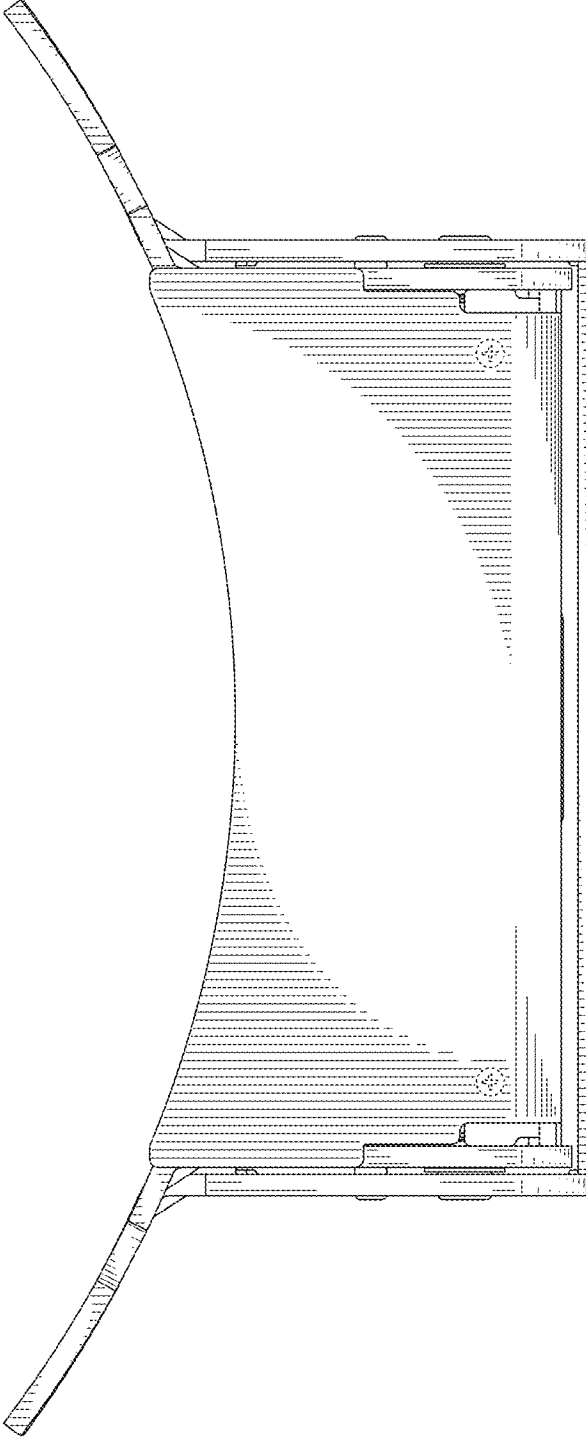


FIG. 7

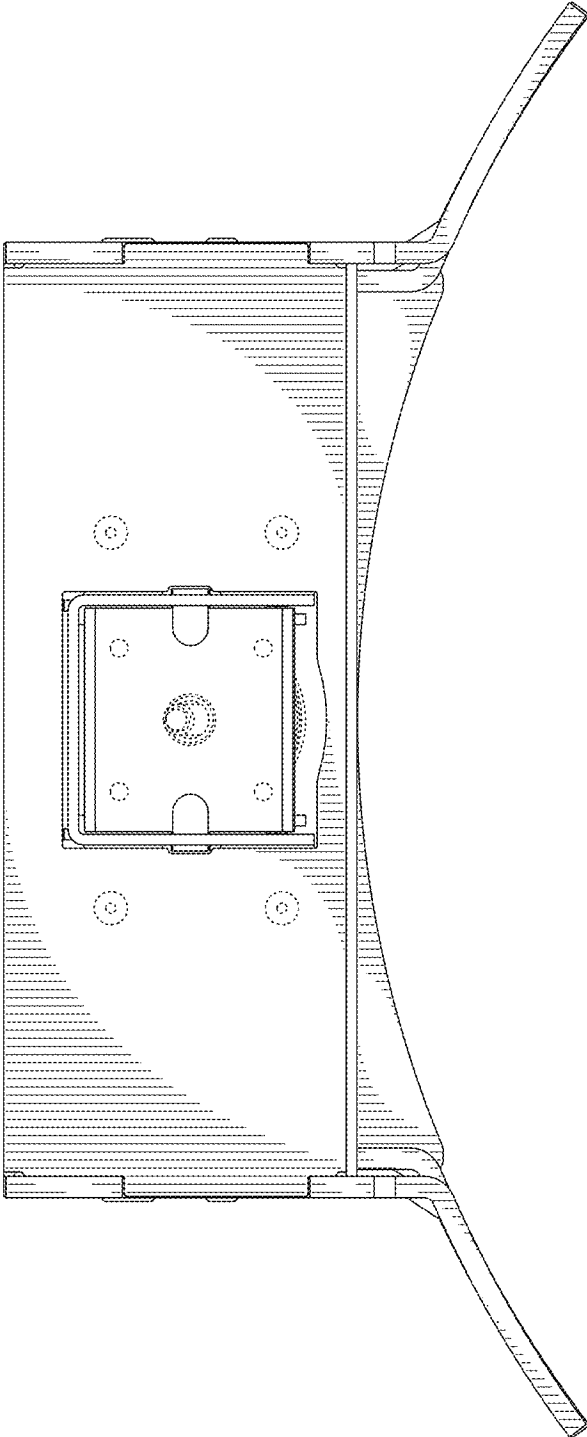


FIG. 8