



US00D822470S

(12) **United States Design Patent**
Rowan et al.

(10) **Patent No.:** **US D822,470 S**

(45) **Date of Patent:** **** Jul. 10, 2018**

(54) **DRAPERY ROD SUPPORT ASSEMBLY**

(71) Applicant: **Umbra LLC**, Buffalo, NY (US)

(72) Inventors: **Paul Rowan**, Toronto (CA); **Mauricio Alfonso**, Toronto (CA)

(73) Assignee: **Umbra LLC**, Buffalo, NY (US)

(**) Term: **15 Years**

(21) Appl. No.: **29/599,896**

(22) Filed: **Apr. 7, 2017**

(51) **LOC (11) Cl.** **08-05**

(52) **U.S. Cl.**
USPC **D8/376**

(58) **Field of Classification Search**

USPC D08/354, 376, 16, 17, 19, 37, 47, 71, 89,
D08/101, 363, 373, 377, 390, 391, 404;
D06/512, 524, 528, 534, 672, 680.1,
D06/680.2, 705.7, 708.25; D25/38.1,
D25/119, 122, 123
CPC A47G 33/004; A47H 1/00; A47H 13/00;
A47H 15/00; B44C 1/18; B44C 5/02;
B44C 5/04; B44C 5/0415; E01B 11/00

See application file for complete search history.

(56) **References Cited**

U.S. PATENT DOCUMENTS

1,201,834	A *	10/1916	Laun	A47H 1/022
					211/105.2
1,424,337	A *	8/1922	Boye	A47H 1/142
					211/105.2
1,453,748	A *	5/1923	Carlson	A47H 1/022
					211/105.2
1,504,825	A *	8/1924	Larsen	A47H 1/022
					211/105.2
D81,134	S *	5/1930	Henderson	D12/190
D84,209	S *	5/1931	Smith	D8/376
2,012,482	A *	8/1935	Russell	A47H 1/13
					248/254
D133,107	S *	7/1942	Rebholz	D25/55

3,156,977 A * 11/1964 Logan B21C 37/15
211/105.2
5,690,237 A * 11/1997 Marzec A47K 3/003
211/105.1
D464,561 S * 10/2002 Tang D8/376
(Continued)

OTHER PUBLICATIONS

Double Drapery Rod—White—Room Essentials™, posted at least 3 years ago, [retrieved Mar. 9, 2018]. Retrieved from Internet, <URL: <https://www.target.com/p/double-drapery-rod-white-48-84-room-essentials-153/-/A-11098554> >.*

(Continued)

Primary Examiner — Barbara Fox
Assistant Examiner — Kristin E Reed
(74) *Attorney, Agent, or Firm* — Simpson & Simpson, PLLC

(57) **CLAIM**

The ornamental design for a drapery rod support assembly, as shown and described.

DESCRIPTION

FIG. 1 is a top perspective view of a drapery rod support assembly showing the present invention, shown holding draperies;

FIG. 2 is a top perspective view thereof, shown with the draperies removed;

FIG. 3 is a left side elevational view thereof;

FIG. 4 is a right side elevational view thereof;

FIG. 5 is a front elevational view thereof;

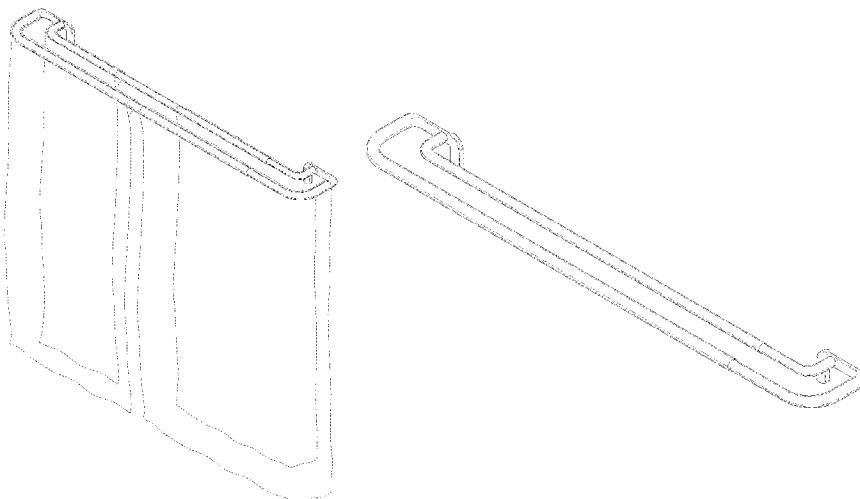
FIG. 6 is a rear elevational view thereof;

FIG. 7 is a top plan view thereof; and,

FIG. 8 is a bottom plan view thereof.

The broken lines showing draperies in FIG. 1 depict environment and form no part of the claimed design.

1 Claim, 5 Drawing Sheets



(56)

References Cited

U.S. PATENT DOCUMENTS

D586,647 S * 2/2009 Didehvar D8/376
D644,918 S * 9/2011 Rowan D8/363
8,469,207 B2 * 6/2013 Rowan A47H 1/102
16/94 R
8,978,228 B2 * 3/2015 Didehvar A47K 3/38
211/123
9,009,878 B2 * 4/2015 Baines A47K 3/38
4/558
2002/0088764 A1 * 7/2002 Pan A47K 10/10
211/105.1

OTHER PUBLICATIONS

Umbra Twilight Double Curtain Rod Set—Wrap Around Design is Ideal for Blackout Curtains or Room Darkening Curtains, 28 to 48 Inch, Matte Nickel, posted Mar. 29, 2017, [retrieved Mar. 9, 2018]. Retrieved from Internet, <URL: <https://www.amazon.com/Umbra-Twilight-Double-Curtain-Rod/dp/B01N56NZLG> >.*

Umbra Twilight 88-Inch to 144-Inch Room-Darkening Drapery Rod System, Auburn Bronze, posted Apr. 18, 2012, [retrieved Mar. 9, 2018]. Retrieved from Internet, <URL: <https://www.amazon.com/Umbra-Twilight-88-Inch-144-Inch-Room-Darkening/dp/B0052IVY1O> >.*

Continuing Exhibition, Fist: A Self-Portrait, Alexandra Martin, posted 2008-2009, [retrieved Mar. 9, 2018]. Retrieved from Internet, <URL: <http://www.rcbc.edu/sculpture-garden/continuing-exhibition> >.*

* cited by examiner

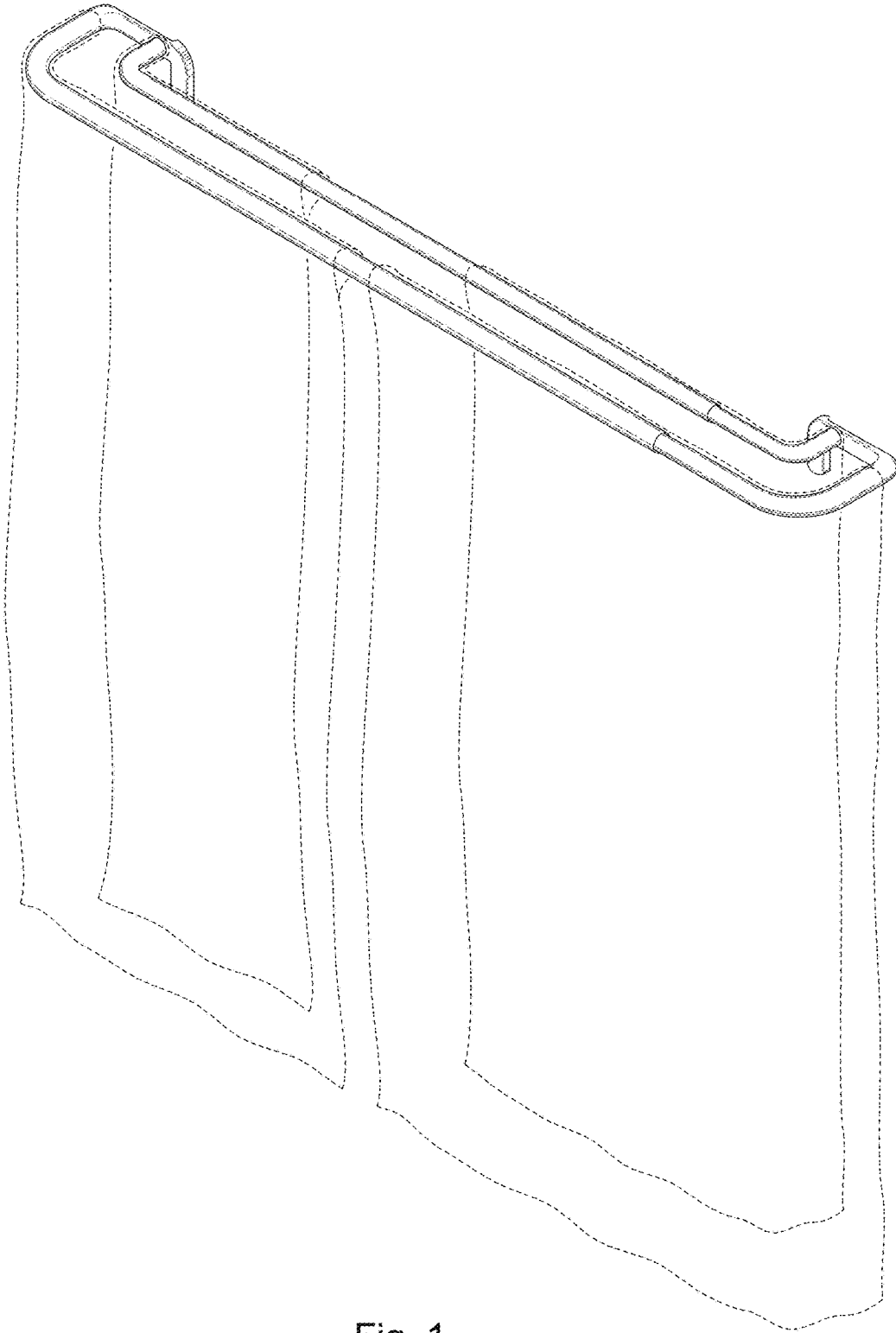


Fig. 1

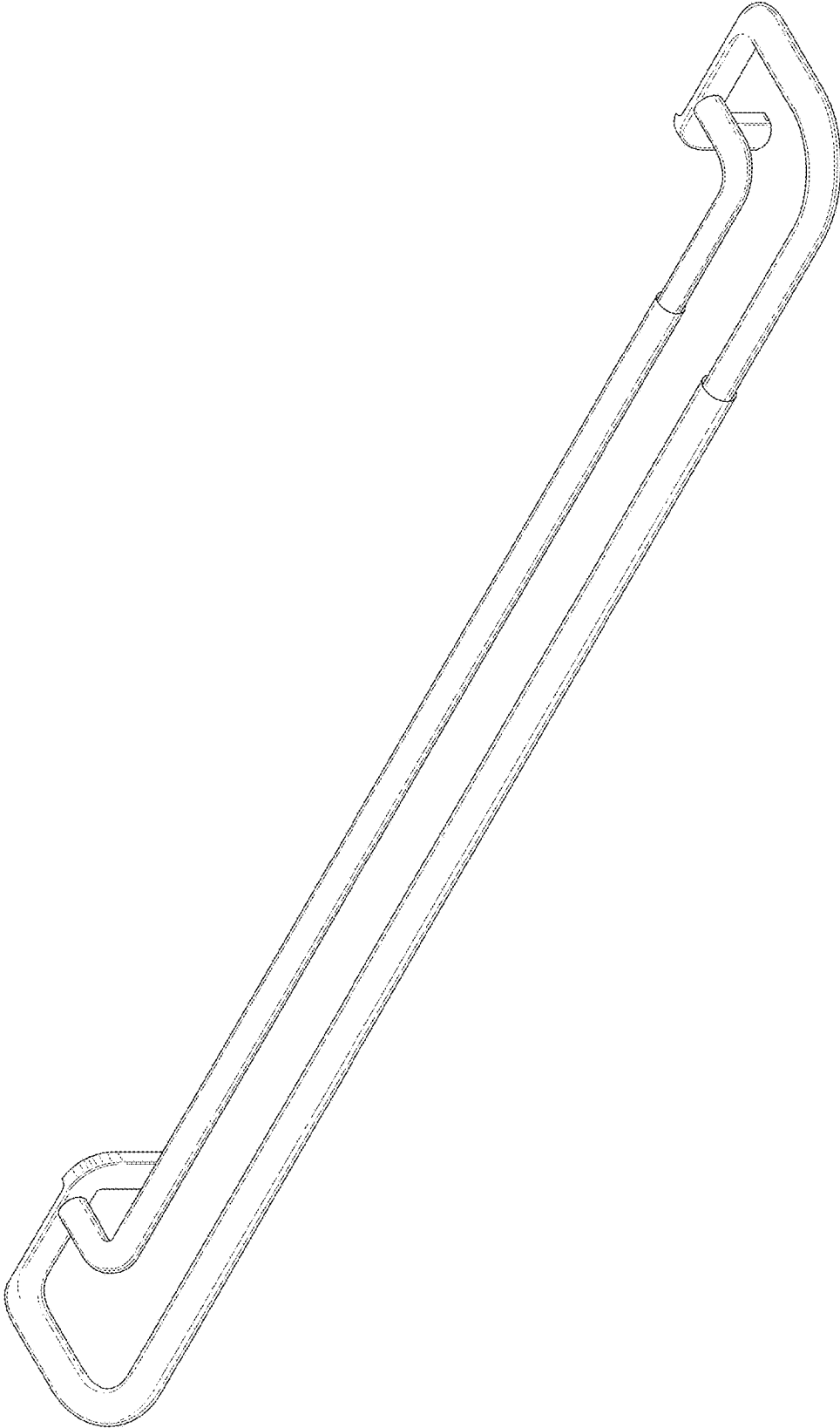


Fig. 2

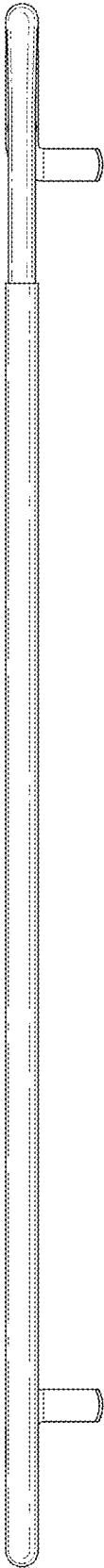


Fig. 3

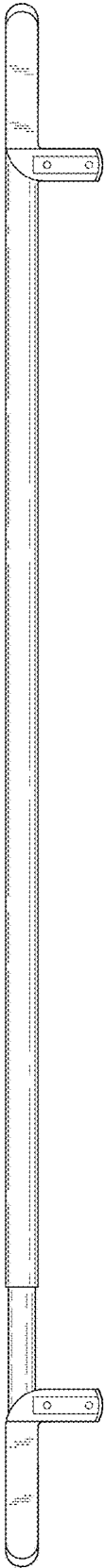


Fig. 4

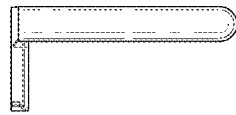


Fig. 5

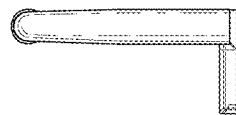


Fig. 6

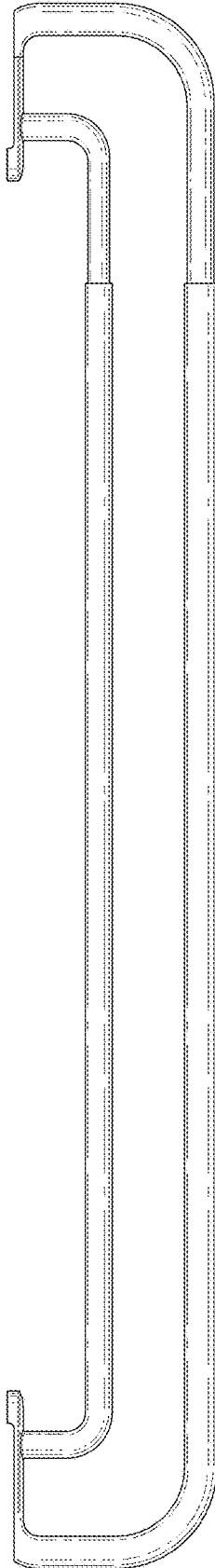


Fig. 7

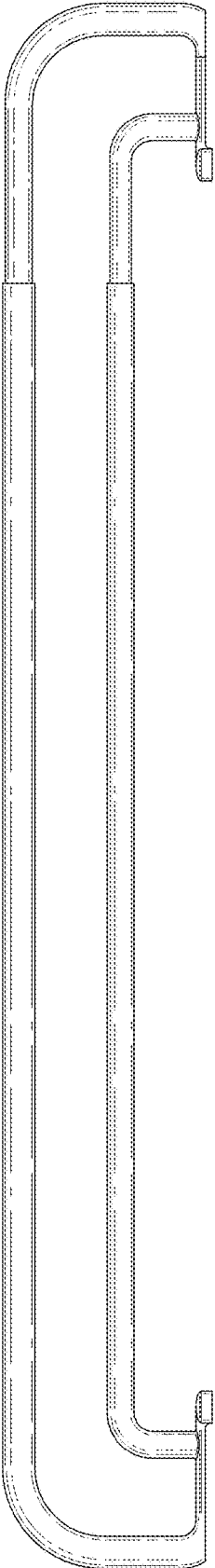


Fig. 8