



US00D822930S

(12) **United States Design Patent**
Green

(10) **Patent No.:** **US D822,930 S**

(45) **Date of Patent:** **** Jul. 10, 2018**

(54) **DISH DRYING RACK**

FOREIGN PATENT DOCUMENTS

(71) Applicant: **Umbra LLC**, Buffalo, NY (US)

CA 168652 S 3/2017
JP 2017113509 A 6/2017

(72) Inventor: **David Green**, Toronto (CA)

OTHER PUBLICATIONS

(73) Assignee: **Umbra LLC**, Buffalo, NY (US)

Handish Dish Drying Mat; B4Market Design; Available at: <https://www.youtube.com/watch?v=emBegADbSSQ>; Published Nov. 5, 2013. Last accessed Jan. 11, 2018.

(**) Term: **15 Years**

(Continued)

(21) Appl. No.: **29/607,656**

(22) Filed: **Jun. 15, 2017**

Primary Examiner — Austin Murphy

(51) **LOC (11) Cl.** **07-05**

(74) *Attorney, Agent, or Firm* — Simpson & Simpson, PLLC

(52) **U.S. Cl.**

(57) **CLAIM**

USPC **D32/55**

The ornamental design for a dish drying rack, as shown and described.

(58) **Field of Classification Search**

DESCRIPTION

USPC D32/55, 276, 3; D6/510, 525; D30/133;
211/41.5, 41.4, 41.3, 41.8; 361/679.4;
312/311, 333, 334.4; D7/354, 629
CPC A47J 47/20; A47J 2201/00; A47J 47/00;
B65D 35/02; B65D 35/22; B65D 35/56
See application file for complete search history.

FIG. 1 is a perspective view of the dish drying rack of the present invention;
FIG. 2 is a top plan view of the invention shown in FIG. 1;
FIG. 3 is a bottom plan view of the invention shown in FIG. 1;
FIG. 4 is a left side elevational view of the invention shown in FIG. 1;
FIG. 5 is a right side elevational view of the invention shown in FIG. 1;
FIG. 6 is a front elevational view of the invention shown in FIG. 1; and,
FIG. 7 is a rear elevational view of the invention shown in FIG. 1.

(56) **References Cited**

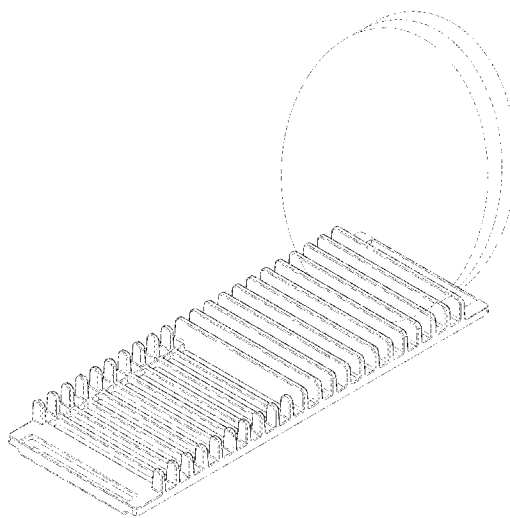
U.S. PATENT DOCUMENTS

2,479,118 A	8/1949	Jenness	
4,531,641 A	7/1985	Archambault	
D347,717 S	6/1994	Chapin	
D353,921 S	12/1994	Lippisch et al.	
D398,725 S	9/1998	Merkel	
6,170,676 B1	1/2001	Patadia et al.	
6,357,605 B1	3/2002	Martorella	
6,502,704 B2	1/2003	Martorella et al.	
6,581,774 B1	6/2003	Galafassi et al.	
D490,198 S	5/2004	Jerstroem et al.	
D599,067 S *	8/2009	Yang	D32/55
D663,912 S *	7/2012	Le	D32/55
D690,069 S *	9/2013	Sofy	D32/55
D692,199 S	10/2013	Huang	

(Continued)

The broken line illustrations shown in the drawings depict environmental subject matter for illustrative purposes only and form no part of the claimed design. In particular, the dishes illustrated in FIG. 1 in broken lines are to show the invention in context only and form no part of the claimed design.

1 Claim, 5 Drawing Sheets



(56)

References Cited

U.S. PATENT DOCUMENTS

D693,081	S	*	11/2013	Yang	D32/55
D693,082	S		11/2013	Evans et al.		
8,573,410	B2		11/2013	Chalifoux		
D695,482	S	*	12/2013	Huang	D32/55
D696,829	S	*	12/2013	Huang	D32/55
D732,256	S		6/2015	Huang		
D736,488	S	*	8/2015	Le	D32/55
9,107,552	B2		8/2015	Micek et al.		
D750,337	S	*	2/2016	Duvigneau	D32/55
D773,142	S	*	11/2016	Green	A47L 19/00 D32/55
D774,719	S		12/2016	Green		
D776,386	S		1/2017	Green		
D781,518	S	*	3/2017	Green	D32/55
D801,612	S		10/2017	Green		
2008/0149644	A1		6/2008	Piacenza et al.		
2008/0179264	A1		7/2008	Abrams		
2008/0210648	A1		9/2008	Davis		
2008/0283480	A1		11/2008	Segall et al.		
2013/0105423	A1		5/2013	Chalifoux		
2017/0172378	A1		6/2017	Green		

OTHER PUBLICATIONS

Design U.S. Appl. No. 29/560,273 for Combination Drying Mat and Rack; Inventor: David Green; Application not yet published.

* cited by examiner

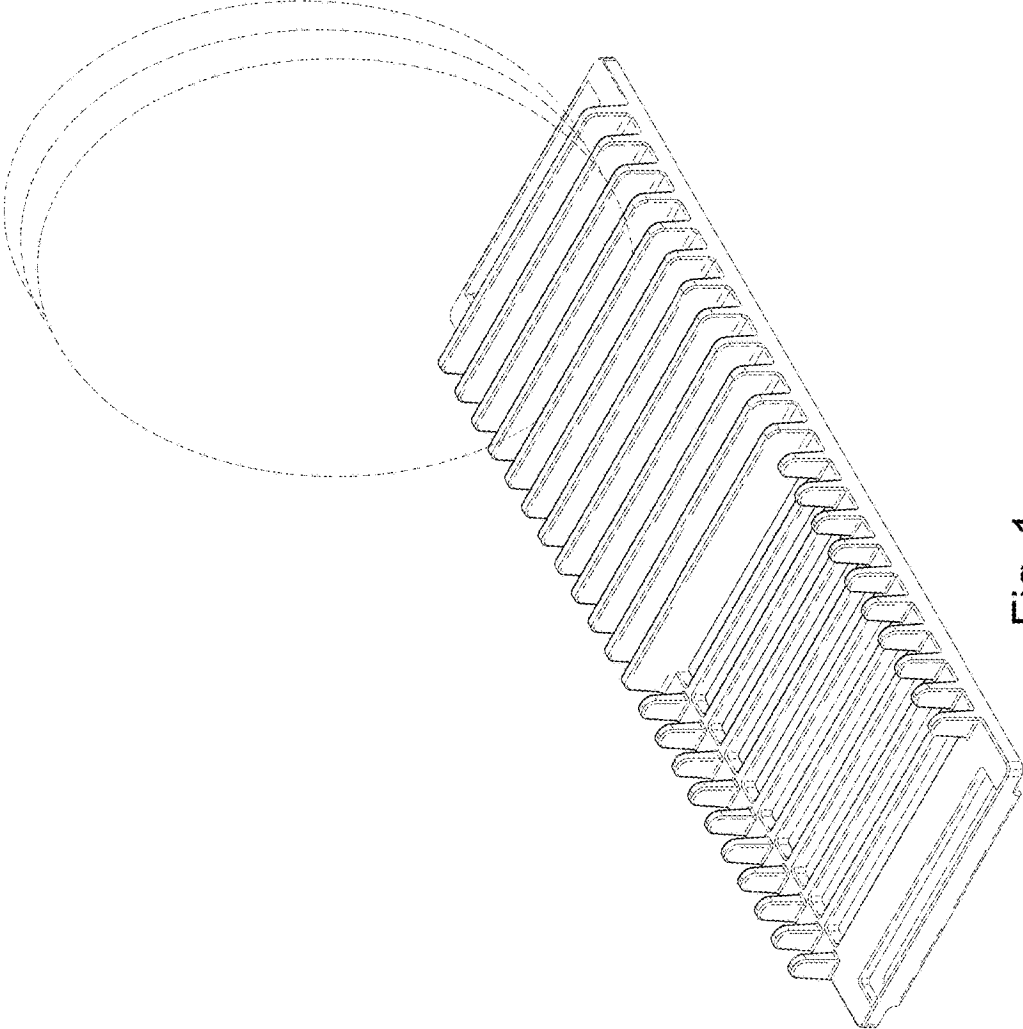


Fig. 1

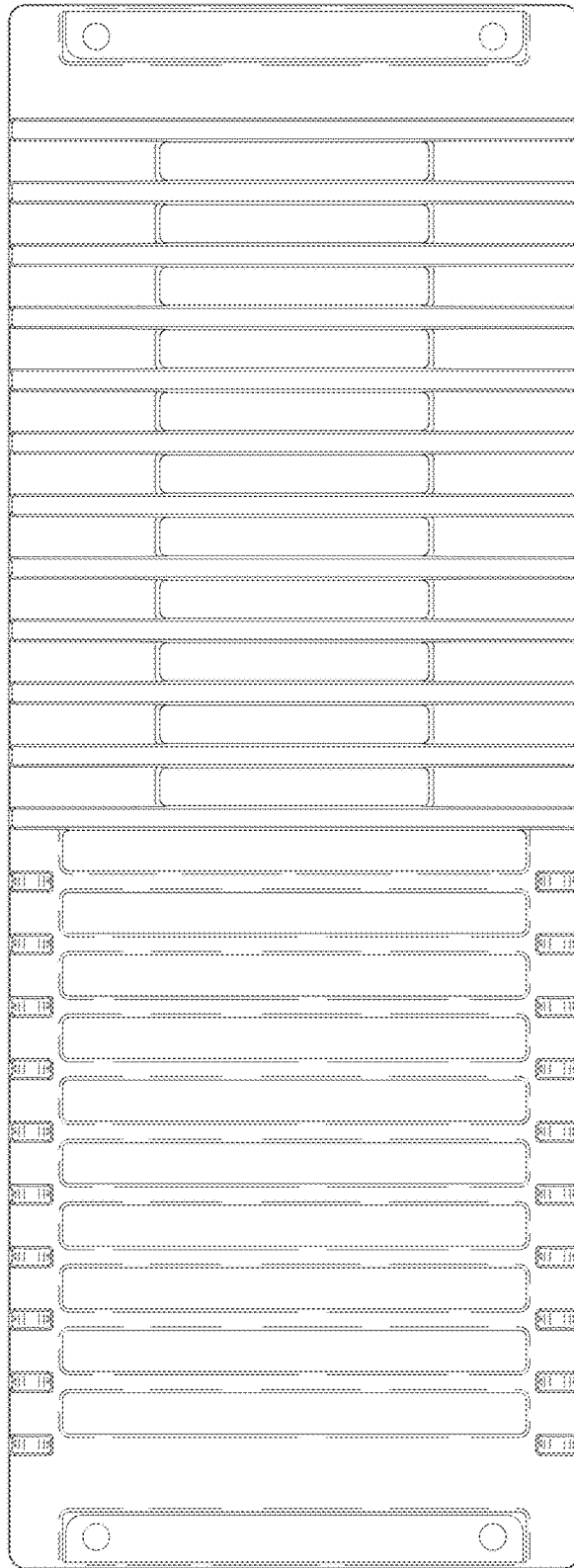


Fig. 2

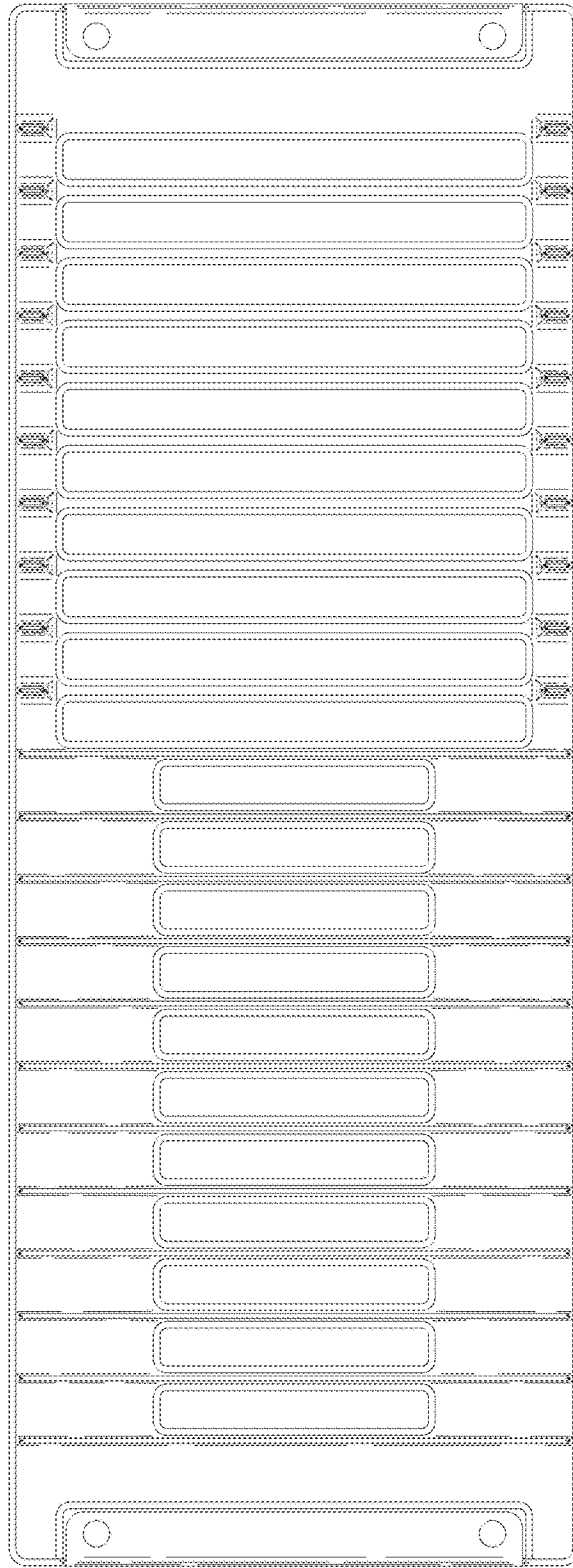


Fig. 3

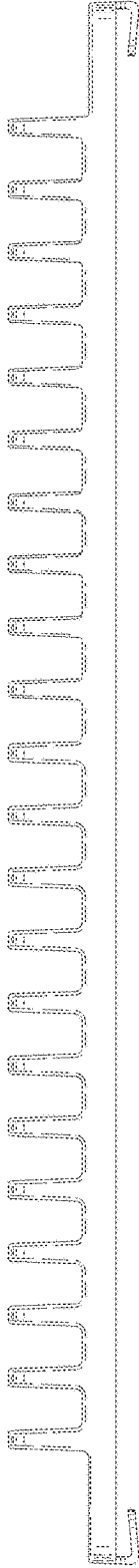


Fig. 4

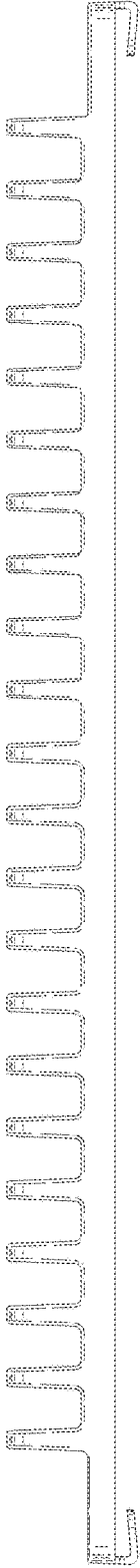


Fig. 5

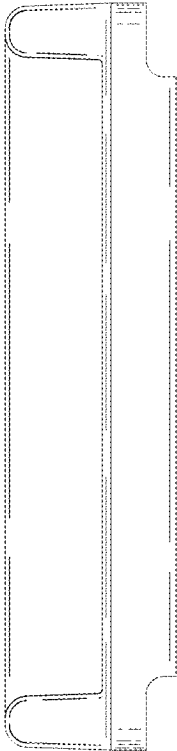


Fig. 6

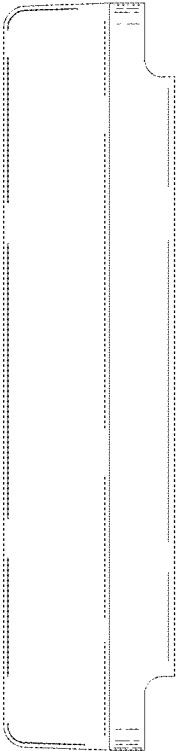


Fig. 7