



US00D839130S

(12) **United States Design Patent**
Park

(10) **Patent No.:** **US D839,130 S**

(45) **Date of Patent:** **** Jan. 29, 2019**

(54) **DESK PLANTER**

FOREIGN PATENT DOCUMENTS

(71) Applicant: **Umbra LLC**, Buffalo, NY (US)

CN 304760946 * 7/2018
EM 114406601-0004 * 11/2017

(72) Inventor: **Sung Wook Park**, Toronto (CA)

OTHER PUBLICATIONS

(73) Assignee: **Umbra, LLC**, Buffalo, NY (US)

YouTube-Umbra, NESTA Desk Planter Umbra, Published Aug. 2, 2017, [site visited Aug. 11, 2018], Available on the Internet URL <https://www.youtube.com/watch?v=IEyxP98s7sQ>*

(**) Term: **15 Years**

(Continued)

(21) Appl. No.: **29/618,986**

(22) Filed: **Sep. 26, 2017**

Primary Examiner — Karen S Acker

Assistant Examiner — Steven B Reinholdt, Jr.

(51) **LOC (11) Cl.** **11-02**

(74) *Attorney, Agent, or Firm* — Simpson & Simpson, PLLC

(52) **U.S. Cl.**

USPC **D11/154**

(58) **Field of Classification Search**

USPC D11/148, 149, 152, 153, 154; D23/267; D7/608, 609, 704

CPC A47G 7/044

See application file for complete search history.

(57) **CLAIM**

The ornamental design for a desk planter, as shown and described.

DESCRIPTION

FIG. 1 is a top, front, and right perspective view of a desk planter showing my new design;

FIG. 2 is a front elevational view of the desk planter shown in FIG. 1;

FIG. 3 is a left side elevational view of the desk planter shown in FIG. 1;

FIG. 4 is a back elevational view of the desk planter shown in FIG. 1;

FIG. 5 is a right side elevational view of the desk planter shown in FIG. 1;

FIG. 6 is a top plan view of the desk planter shown in FIG. 1; and,

FIG. 7 is a bottom plan view of the desk planter shown in FIG. 1.

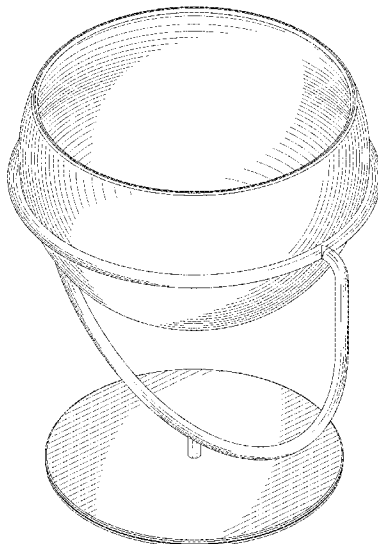
Shading and contour lines are included to convey the curvature of the planter and transitions to the flat planes of the bottom of the article.

(56) **References Cited**

U.S. PATENT DOCUMENTS

| | | | | | | |
|-----------|---|---|---------|-----------|-------|-----------------------|
| D242,941 | S | * | 1/1977 | Nagata | | 47/66.6 |
| 4,024,670 | A | * | 5/1977 | Stanley | | A01G 9/029 47/73 |
| D256,110 | S | * | 7/1980 | Dunbar | | D11/153 |
| D271,091 | S | * | 10/1983 | Peterson | | D11/153 |
| D275,432 | S | * | 9/1984 | Chan | | D11/148 |
| D285,992 | S | * | 10/1986 | De Vries | | D6/677.2 |
| 4,691,473 | A | * | 9/1987 | Ragen | | A47G 7/047 248/315 |
| D369,122 | S | * | 4/1996 | Lowe, Jr. | | D11/148 |
| D425,326 | S | * | 5/2000 | Rehmert | | D6/403 |
| D434,696 | S | * | 12/2000 | Ward | | D11/151 |
| D515,184 | S | * | 2/2006 | Beall | | D11/148 |
| D562,879 | S | * | 2/2008 | Lerner | | D17/22 |
| D575,327 | S | * | 8/2008 | Lerner | | D17/22 |
| D727,788 | S | * | 4/2015 | Hetland | | D11/144 |
| D770,860 | S | * | 11/2016 | Wampold | | D7/608 |

1 Claim, 7 Drawing Sheets



(56)

References Cited

OTHER PUBLICATIONS

Umbra website, Nesta Planter, Earliest Publication date from Wayback Machine Archive Sep. 9, 2017, [site visited Aug. 11, 2018], Available on the Internet URL <https://web.archive.org/web/20170909163912/http://www.umbra.com:80/usd/nesta-wht-spec>.*

* cited by examiner

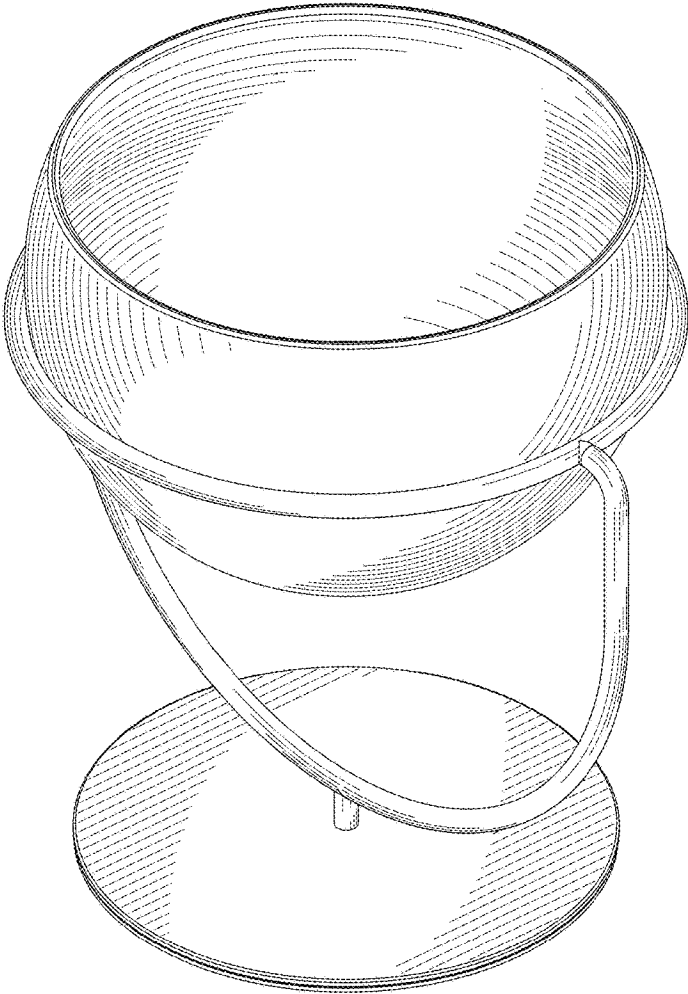


FIG. 1

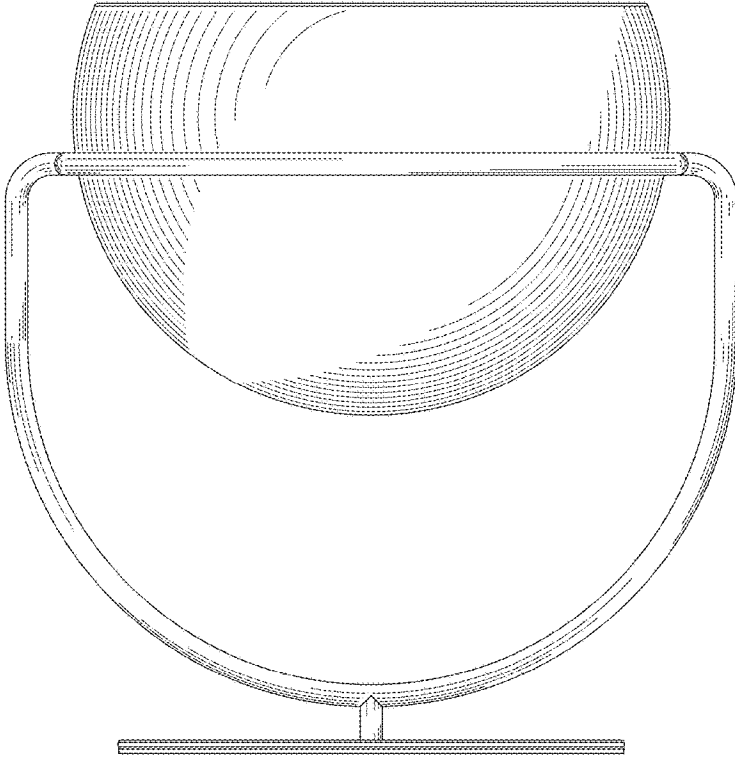


FIG. 2

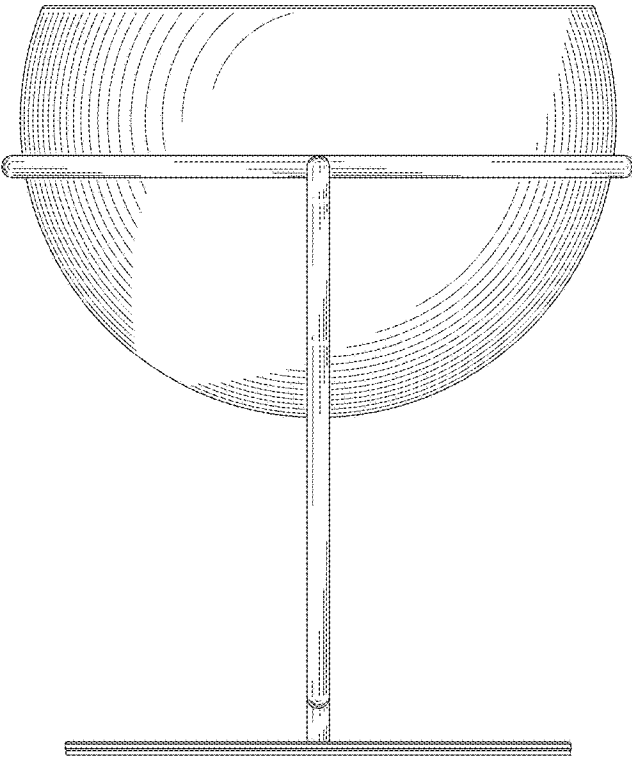


FIG. 3

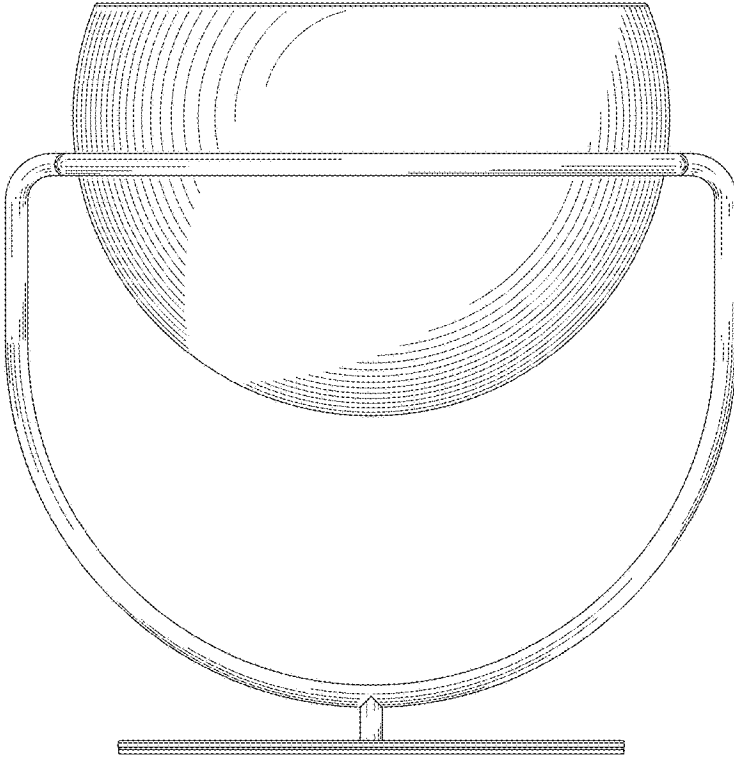


FIG. 4

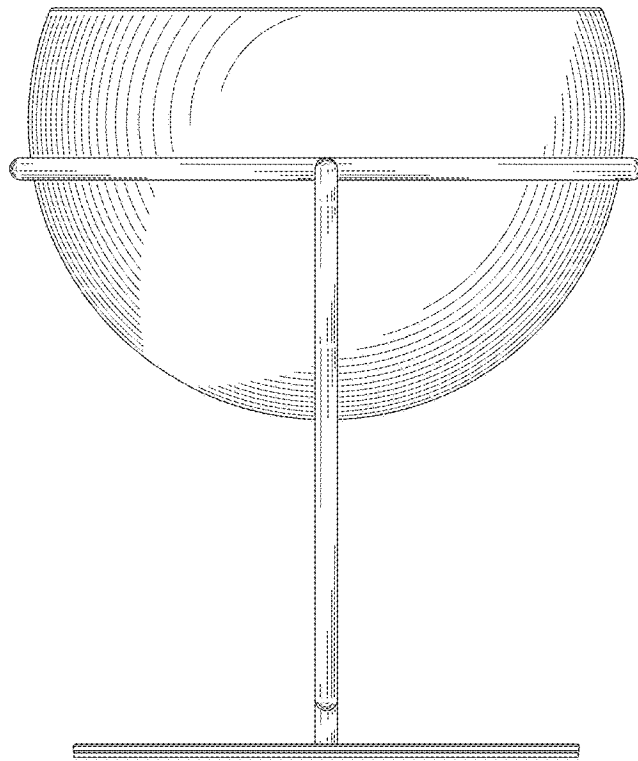


FIG. 5

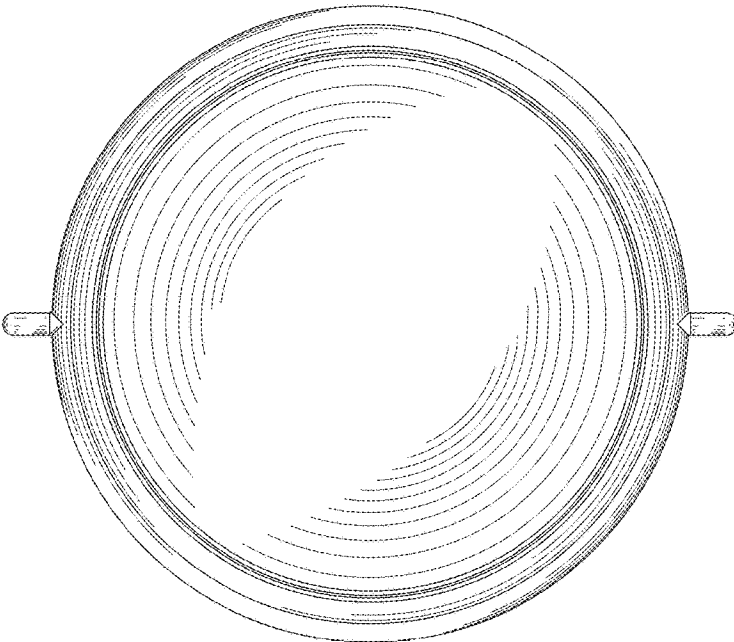


FIG. 6

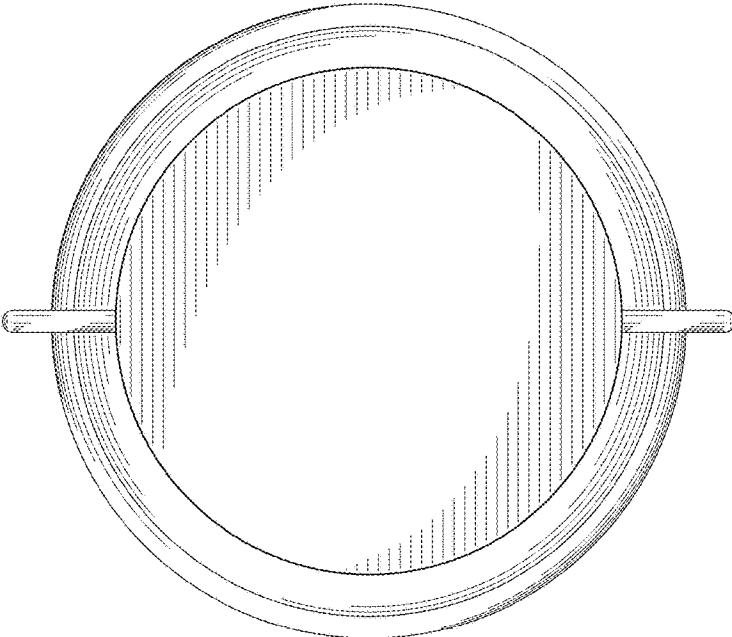


FIG. 7