



(12) **United States Design Patent** (10) **Patent No.:** **US D852,490 S**
De Loynes et al. (45) **Date of Patent:** **** Jul. 2, 2019**

(54) **ACCESSORY ORGANIZER**
 (71) Applicant: **Umbra LLC**, Buffalo, NY (US)
 (72) Inventors: **Eugenie De Loynes**, Toronto (CA);
Sung Wook Park, Toronto (CA)
 (73) Assignee: **Umbra LLC**, Buffalo, NY (US)
 (**) Term: **15 Years**
 (21) Appl. No.: **29/619,003**

Primary Examiner — Charles D Hanson
 (74) *Attorney, Agent, or Firm* — Simpson & Simpson,
 PLLC

(22) Filed: **Sep. 26, 2017**
 (51) **LOC (11) Cl.** **03-03**
 (52) **U.S. Cl.**
 USPC **D3/205**
 (58) **Field of Classification Search**
 USPC D3/205, 206; D7/359, 600.4, 701
 CPC A47F 7/14; B65D 21/00
 See application file for complete search history.

(57) **CLAIM**

The ornamental design for an accessory organizer, as shown and described.

DESCRIPTION

FIG. 1 is a front perspective view of the accessory organizer of the present invention;
 FIG. 2 is a front elevational view of the accessory organizer shown in FIG. 1;
 FIG. 3 is a back elevational view of the accessory organizer shown in FIG. 1;
 FIG. 4 is a left side elevational view of the accessory organizer shown in FIG. 1;
 FIG. 5 is a right side elevational view of the accessory organizer shown in FIG. 1;
 FIG. 6 is a top plan view of the accessory organizer shown in FIG. 1; and,
 FIG. 7 is a bottom plan view of the accessory organizer shown in FIG. 1.
 Stippling and/or contour lines are included in the various views, for example, FIGS. 1-7, to depict surface curvature, flatness or other shapes.

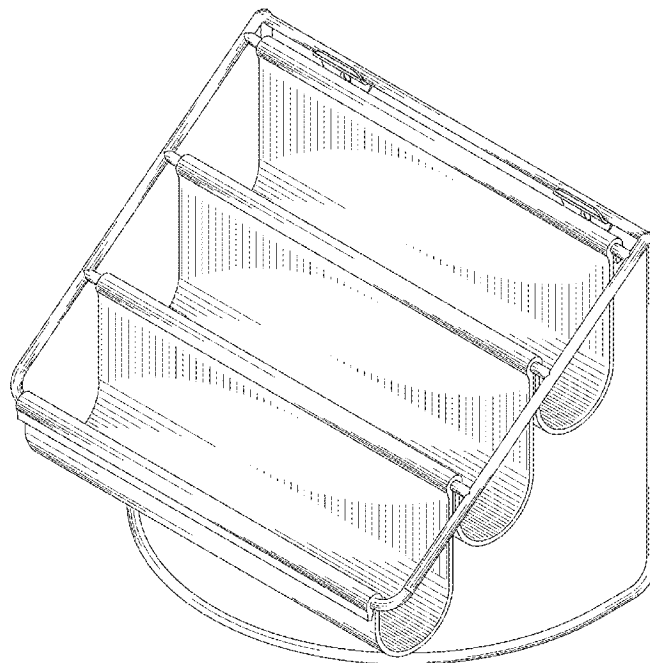
(56) **References Cited**

U.S. PATENT DOCUMENTS

5,447,242	A *	9/1995	Kelly	A47F 7/145 211/128.1
D370,177	S *	5/1996	Bankier	D7/553.3
D446,092	S *	8/2001	Cautereels	D7/701
D454,749	S *	3/2002	Georgiadis	D6/629
7,984,806	B2 *	7/2011	Matheou	A47B 73/008 206/427
D684,419	S *	6/2013	Cloutier	D7/354
D769,073	S *	10/2016	Lipper McCauley	D7/600.4

* cited by examiner

1 Claim, 7 Drawing Sheets



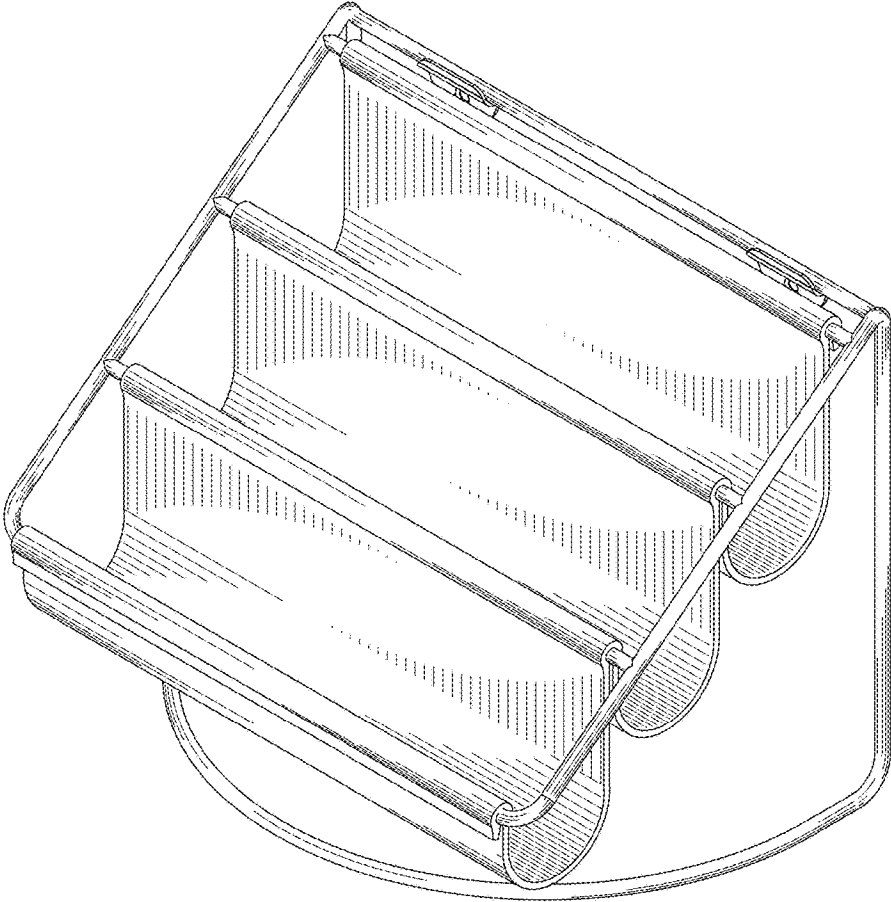


FIG. 1

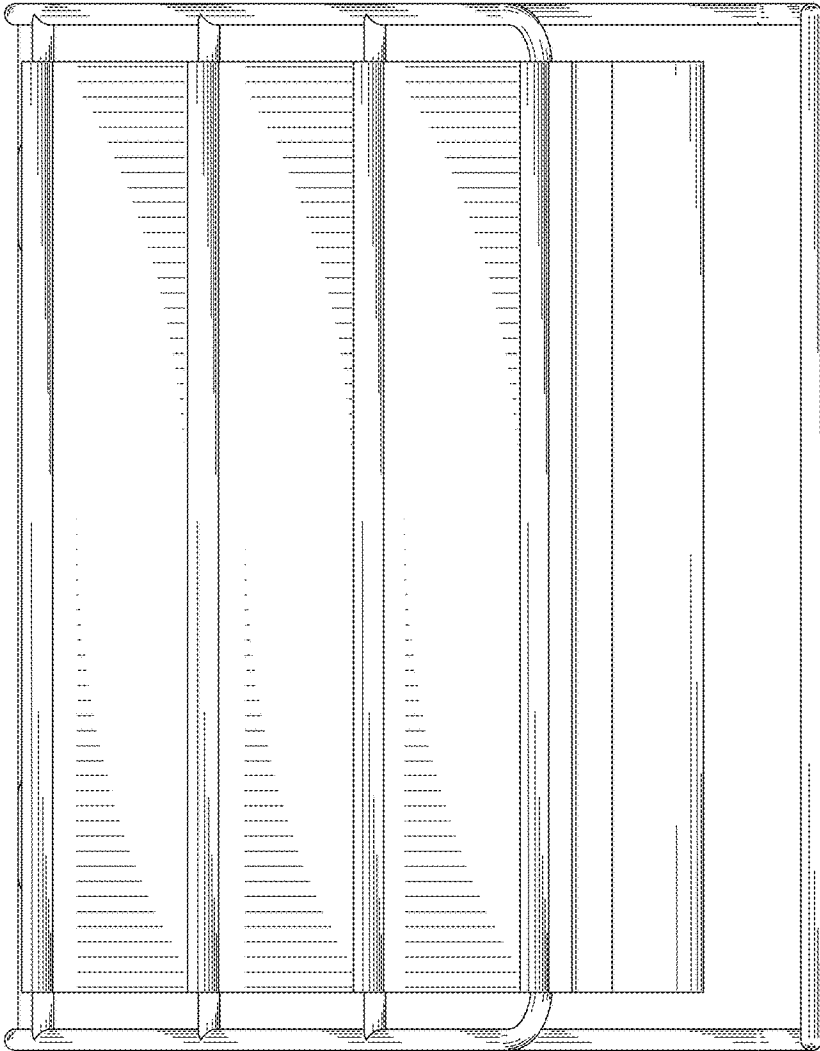


FIG. 2

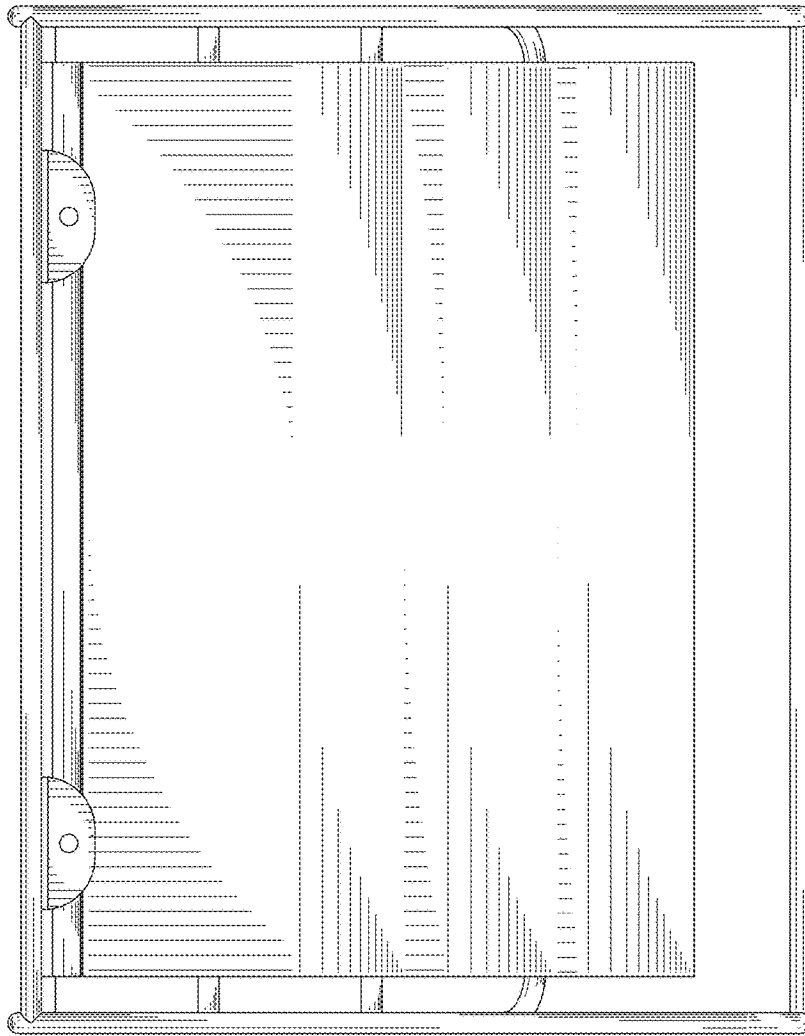


FIG. 3

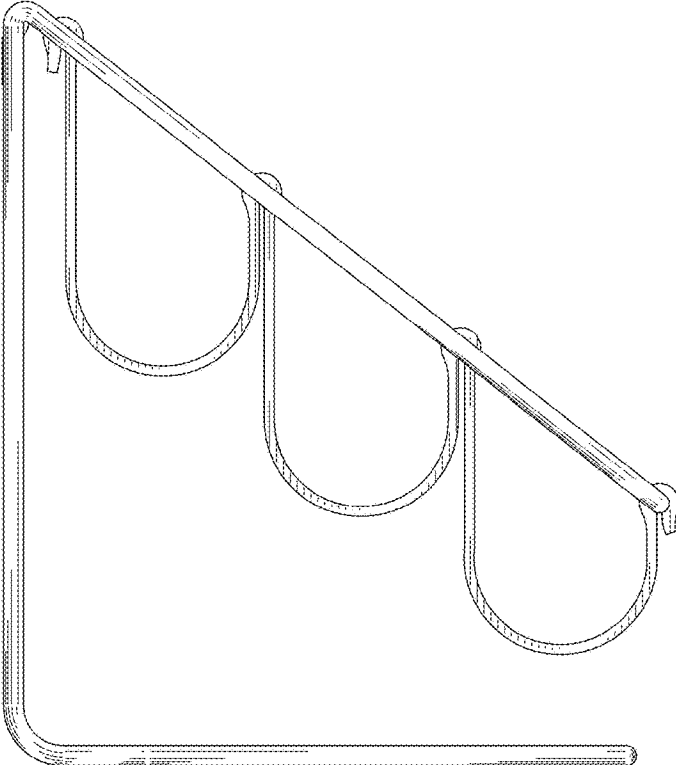


FIG. 4

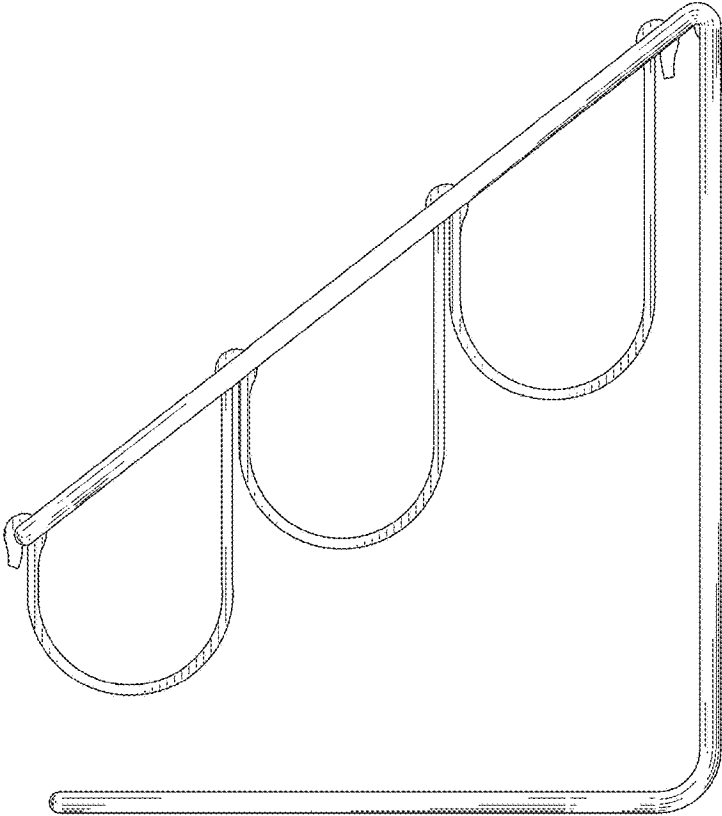


FIG. 5

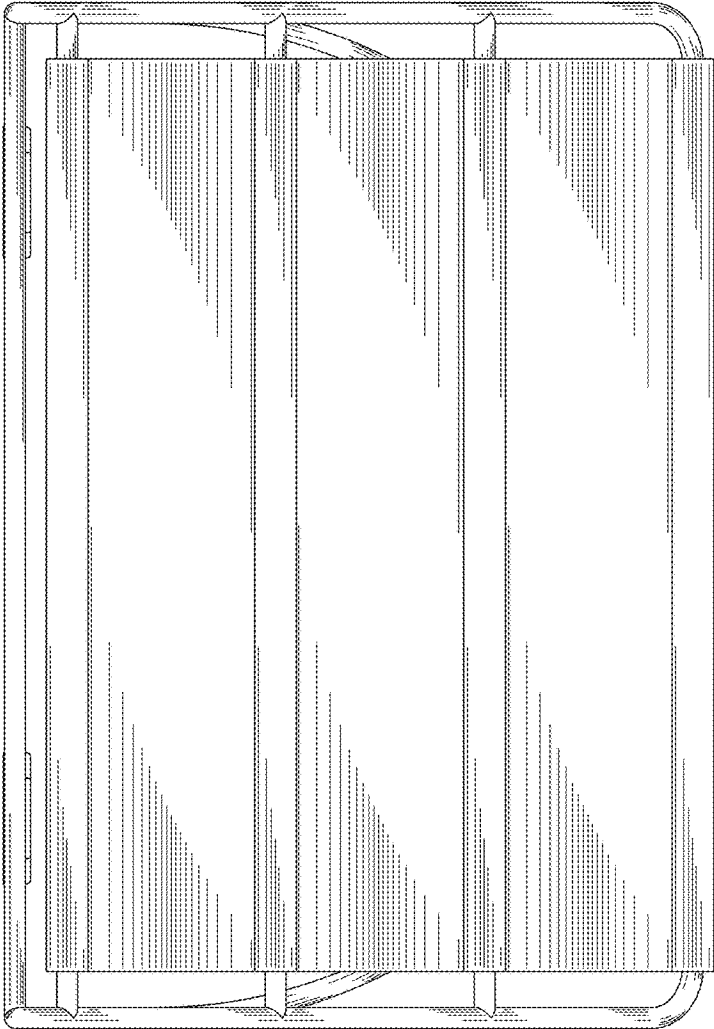


FIG. 6

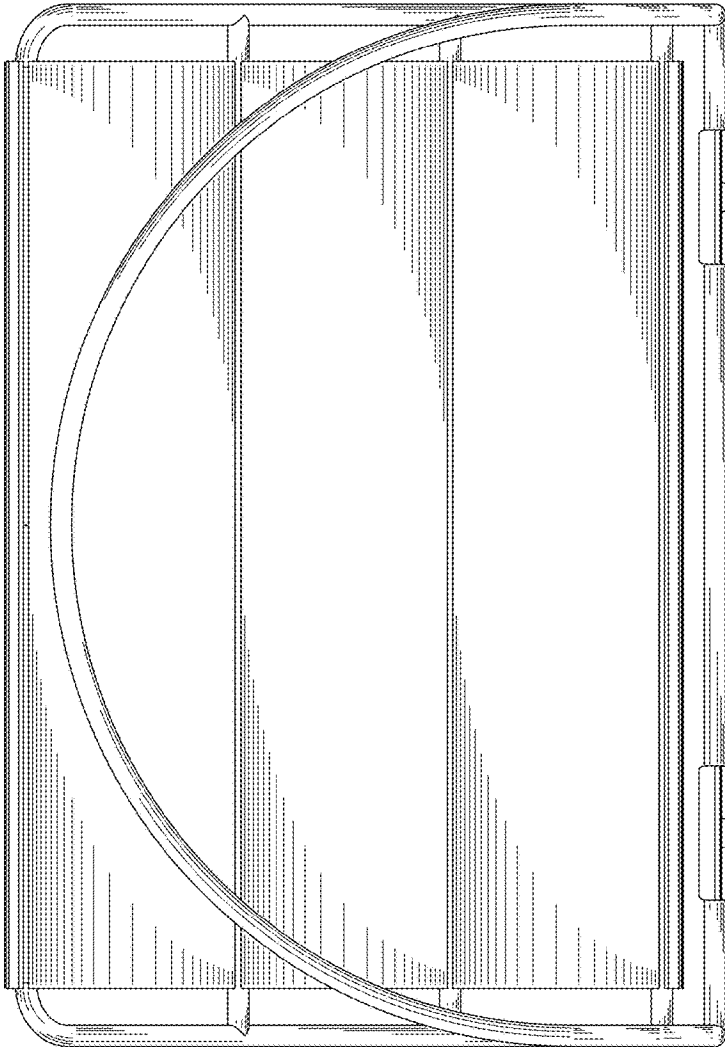


FIG. 7