



(12) **United States Design Patent**
Chau

(10) **Patent No.:** **US D869,862 S**
(45) **Date of Patent:** **** Dec. 17, 2019**

(54) **FREE STANDING VALET AND MIRROR**

Primary Examiner — Deanna L Pratt
(74) *Attorney, Agent, or Firm* — Simpson & Simpson, PLLC

(71) Applicant: **Umbra LLC**, Buffalo, NY (US)

(72) Inventor: **Wesley Chau**, Toronto (CA)

(57) **CLAIM**

(73) Assignee: **Umbra LLC**, Buffalo, NY (US)

The ornamental design for a free standing valet and mirror, as shown and described.

(**) Term: **15 Years**

(21) Appl. No.: **29/645,936**

DESCRIPTION

(22) Filed: **Apr. 30, 2018**

FIG. 1 is a perspective view of the free standing valet and mirror of the present invention;

(51) **LOC (12) Cl.** **06-01**

FIG. 2 is a front elevational view of the invention shown in FIG. 1;

(52) **U.S. Cl.**
USPC **D6/300**

FIG. 3 is a rear elevational view of the invention shown in FIG. 1;

(58) **Field of Classification Search**
USPC D6/300-314
CPC A47B 67/005; A47G 2025/025
See application file for complete search history.

FIG. 4 is a left side elevational view of the invention shown in FIG. 1;

FIG. 5 is a right side elevational view of the invention shown in FIG. 1;

(56) **References Cited**

U.S. PATENT DOCUMENTS

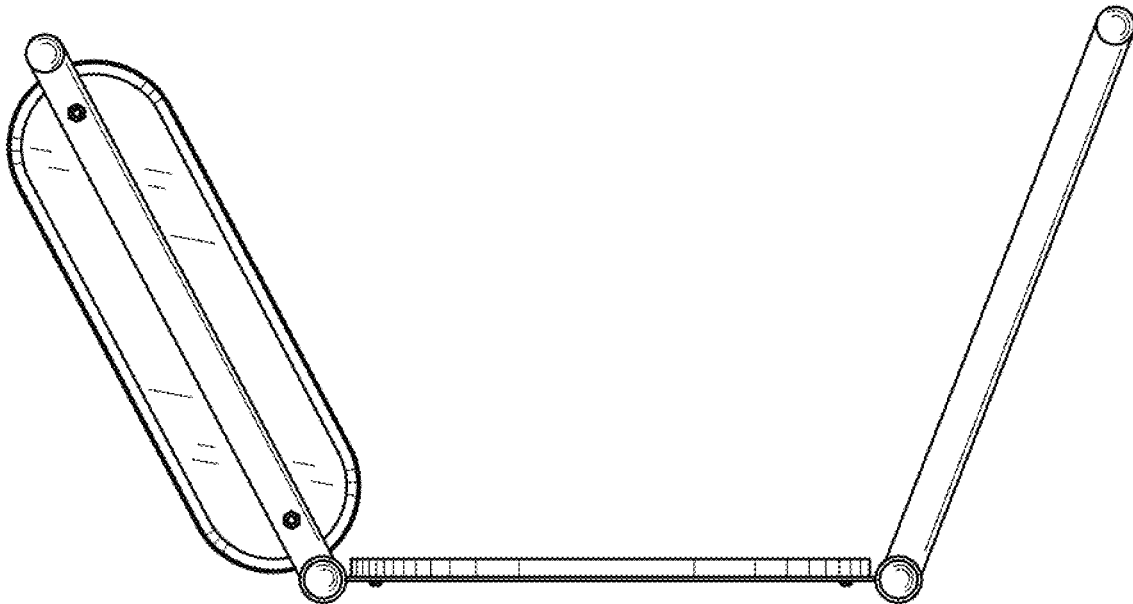
D309,536 S *	7/1990	Mo Yau Kee	D6/300
D311,099 S *	10/1990	Yau Kee	D6/300
D329,753 S *	9/1992	Delafield	D6/311
D669,703 S *	10/2012	Wu	D6/310
D804,831 S *	12/2017	Neri	D6/309

FIG. 6 is a top plan view of the invention shown in FIG. 1; and,
FIG. 7 is a bottom plan view of the invention shown in FIG. 1.

The broken lines in FIG. 1 of the drawing disclosure illustrate environment and form no part of the claimed design.

* cited by examiner

1 Claim, 6 Drawing Sheets



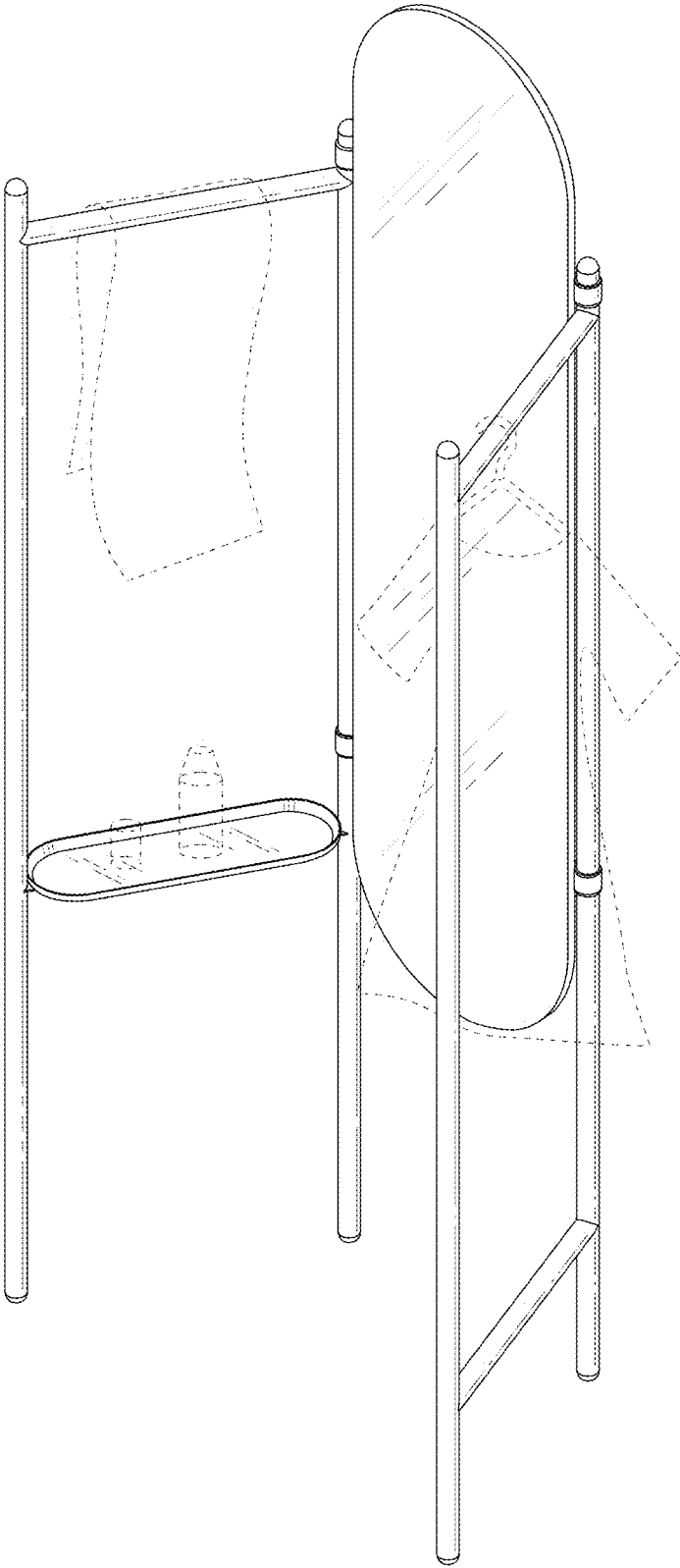


Fig. 1

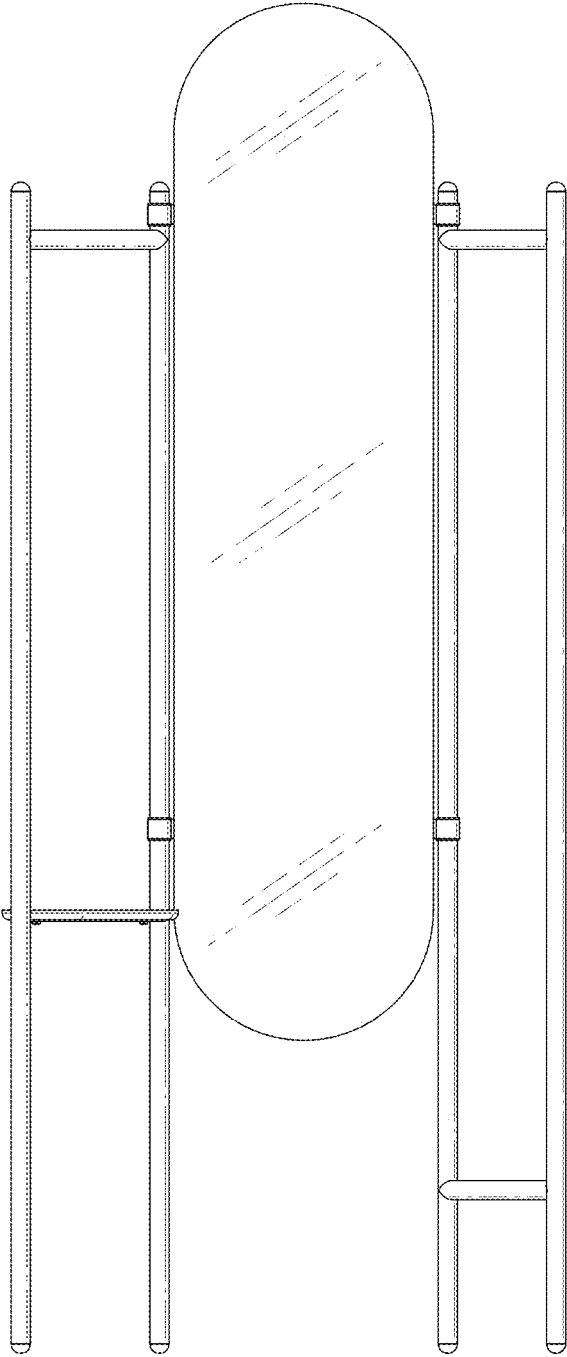


Fig. 2

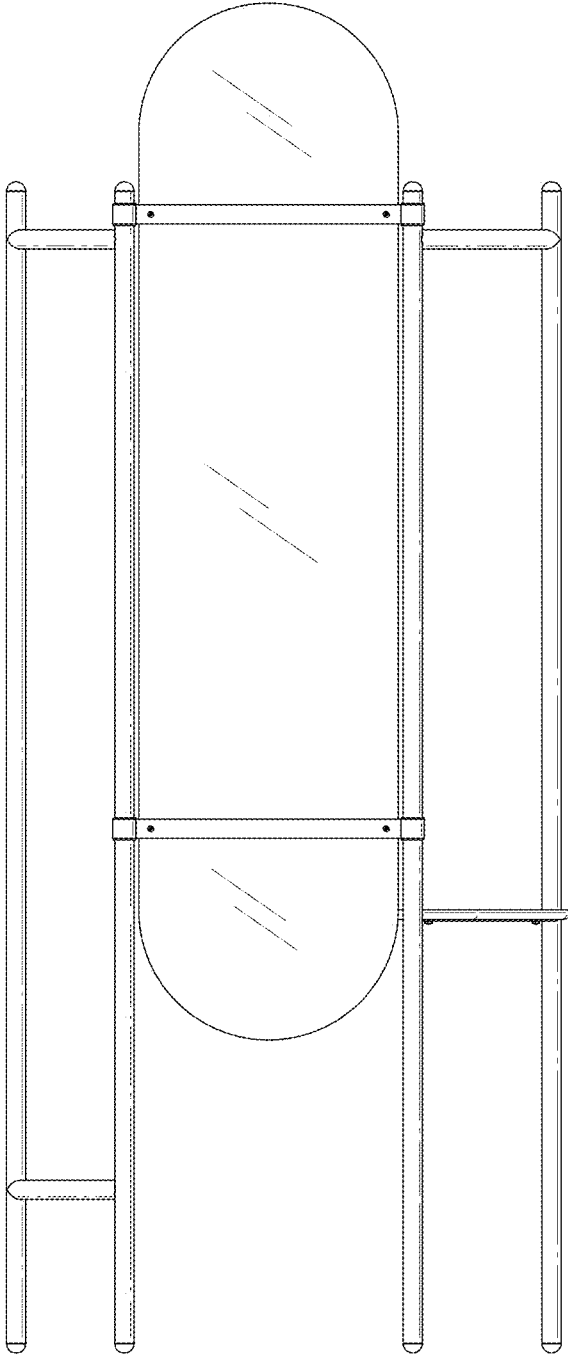


Fig. 3

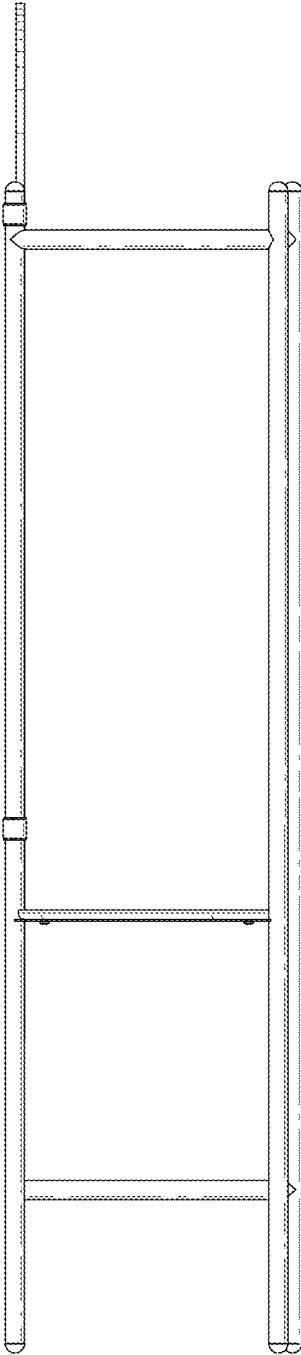


Fig. 4

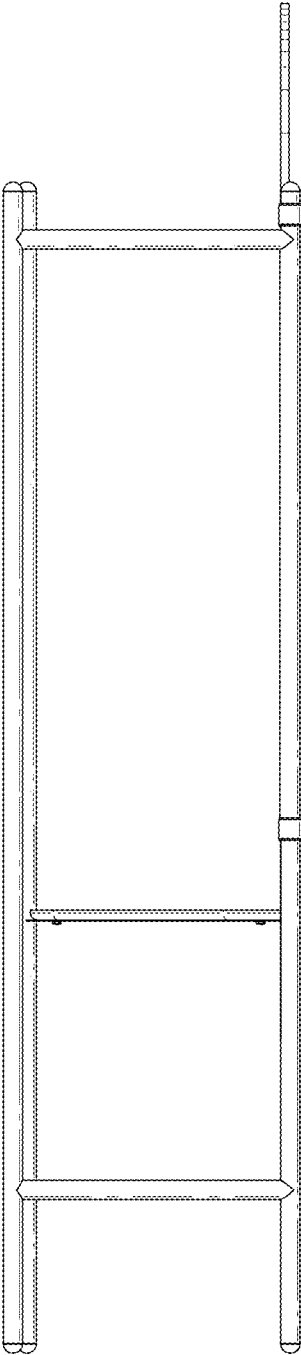


Fig. 5

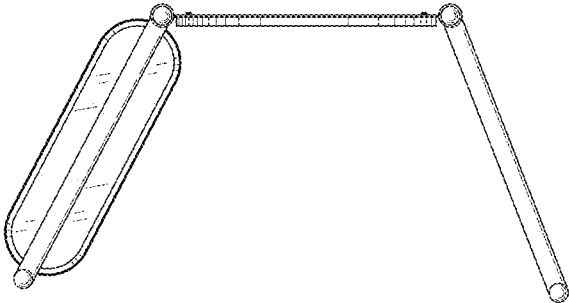


Fig. 6

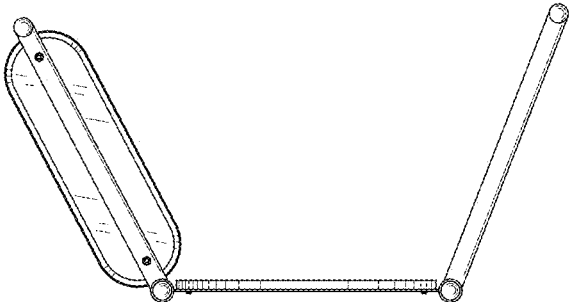


Fig. 7