



US00D886546S

(12) **United States Design Patent** (10) **Patent No.:** **US D886,546 S**
Green et al. (45) **Date of Patent:** **** Jun. 9, 2020**

(54) **UTENSIL HOLDER**
(71) Applicant: **Umbra LLC**, Buffalo, NY (US)
(72) Inventors: **David Green**, Toronto (CA); **Matthew J. Carr**, Toronto (CA); **Wesley Chau**, Toronto (CA)
(73) Assignee: **Umbra LLC**, Buffalo, NY (US)
(**) Term: **15 Years**

D433,287 S * 11/2000 Goodman D7/640
D497,520 S * 10/2004 Goodman D19/84
D591,565 S * 5/2009 Goodman D7/637
D698,209 S * 1/2014 Goodman D7/640

* cited by examiner
Primary Examiner — Janice Patyk
(74) *Attorney, Agent, or Firm* — Simpson & Simpson, PLLC

(21) Appl. No.: **29/638,480**
(22) Filed: **Feb. 27, 2018**
(51) **LOC (12) Cl.** **07-07**
(52) **U.S. Cl.**
USPC **D7/637**
(58) **Field of Classification Search**
USPC D7/631, 637-641, 550.1; 30/298.4,
30/296.1; 206/372, 373, 553; 211/70.7;
248/37.3, 111; D9/420-426, 432;
D19/77, 81-86
CPC A47B 88/20; A47F 7/00; A47G 21/00;
A47G 21/14; B26B 3/00
See application file for complete search history.

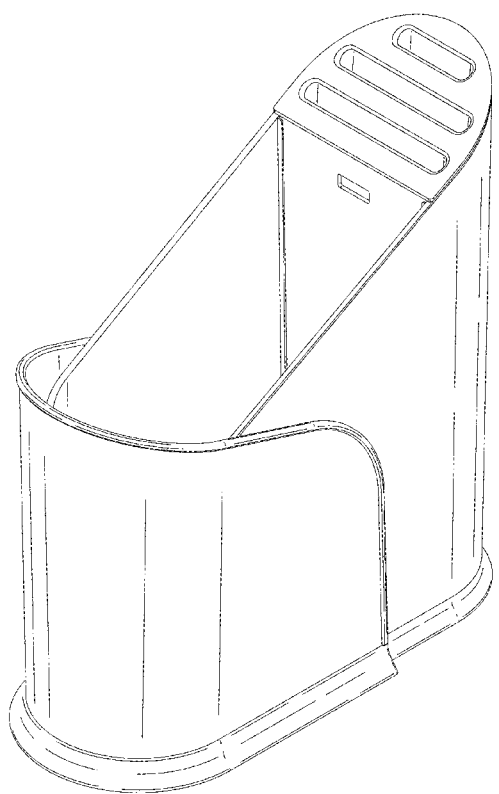
(57) **CLAIM**
The ornamental design for a utensil holder, as shown and described.

DESCRIPTION

FIG. 1 is a perspective view of a utensil holder of the present invention;
FIG. 2 is a front elevational view thereof;
FIG. 3 is a rear elevational view thereof;
FIG. 4 is a right side elevational view thereof;
FIG. 5 is a left side elevational view thereof;
FIG. 6 is a top plan view thereof; and,
FIG. 7 is a bottom plan view thereof.
The broken lines in the figures illustrate the portions of the design that form no part of the claimed design.

(56) **References Cited**
U.S. PATENT DOCUMENTS
D397,000 S * 8/1998 Goodman D7/637
D402,161 S * 12/1998 Fischer, Jr. D7/620

1 Claim, 6 Drawing Sheets



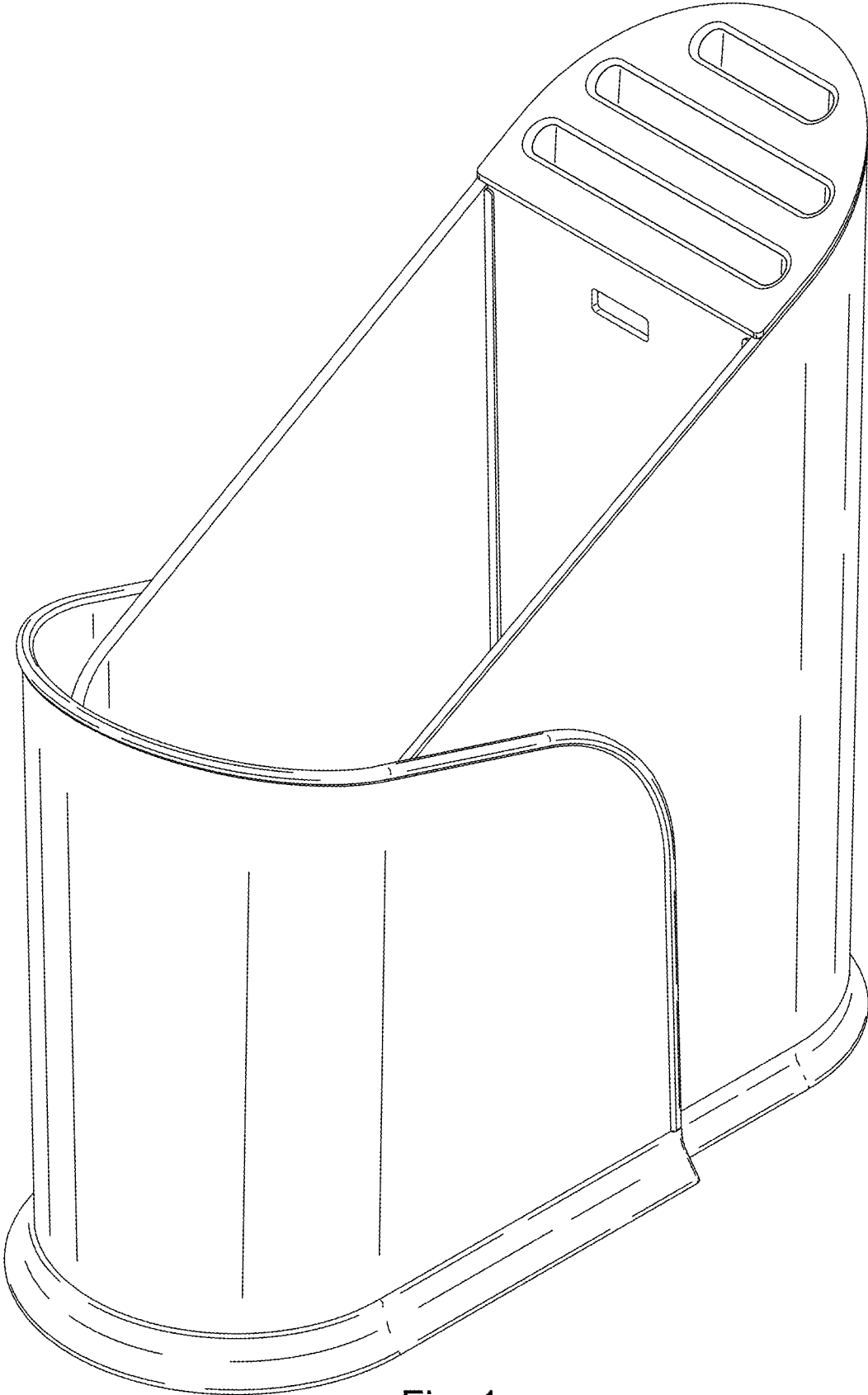


Fig. 1

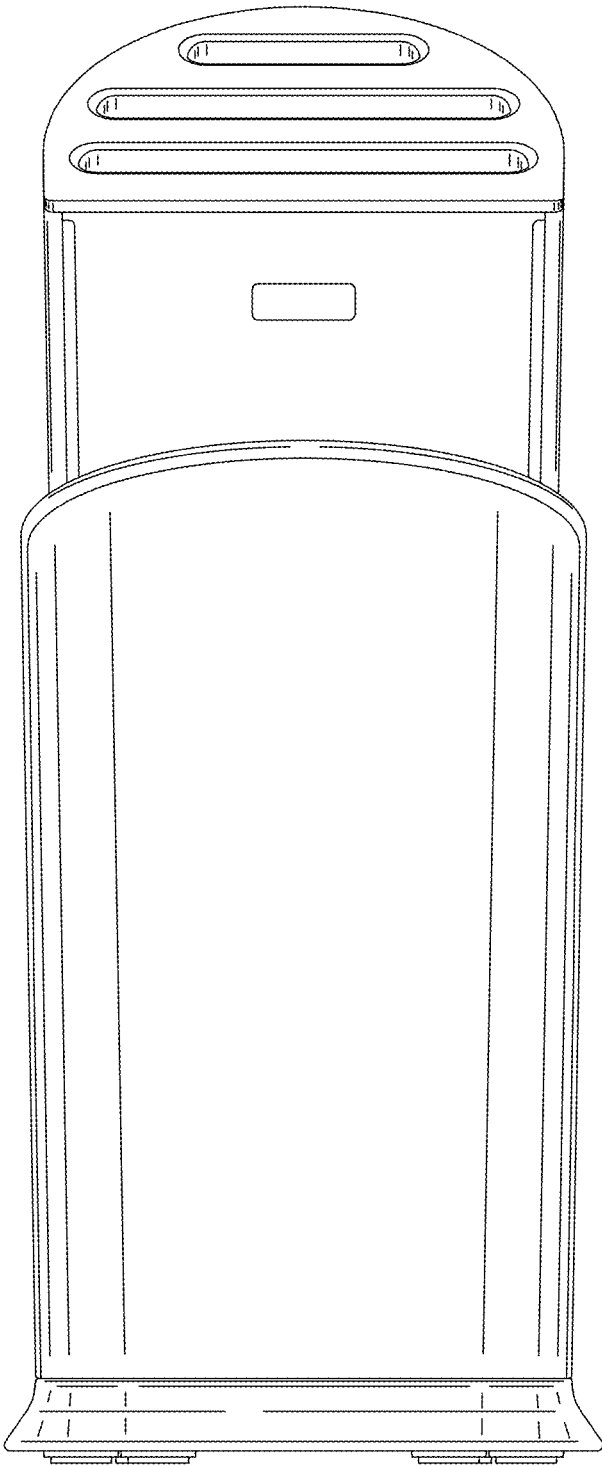


Fig. 2

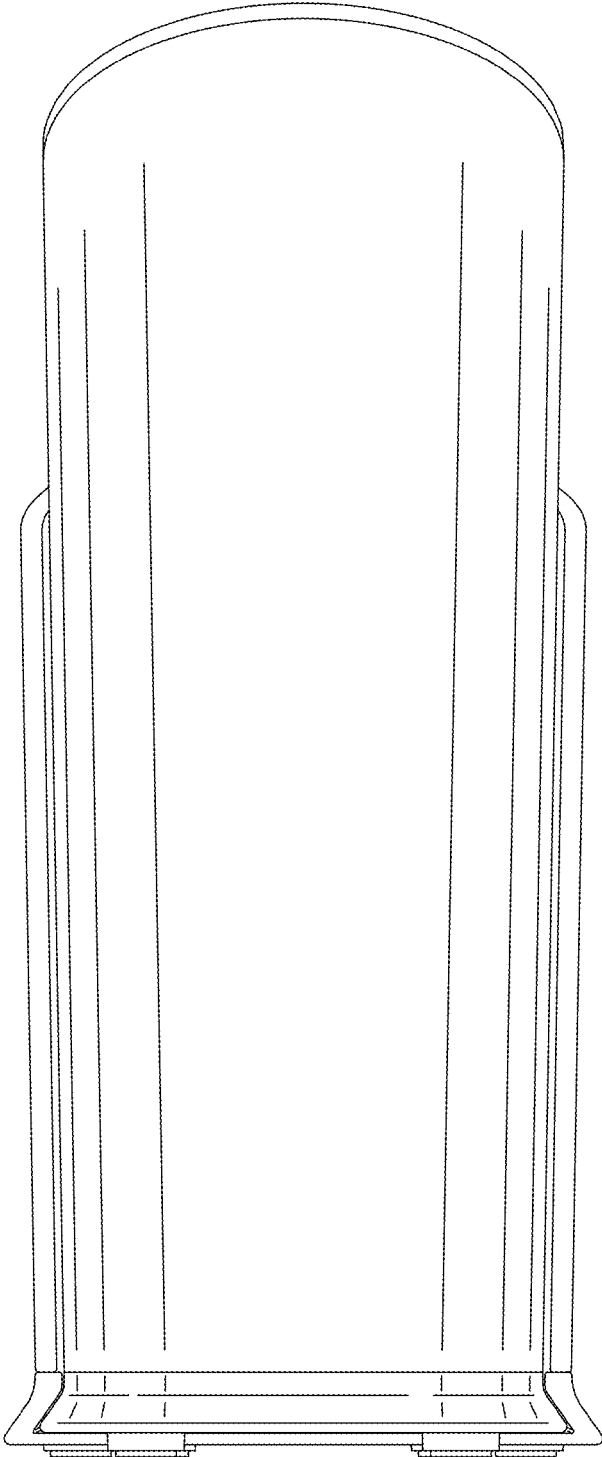


Fig. 3

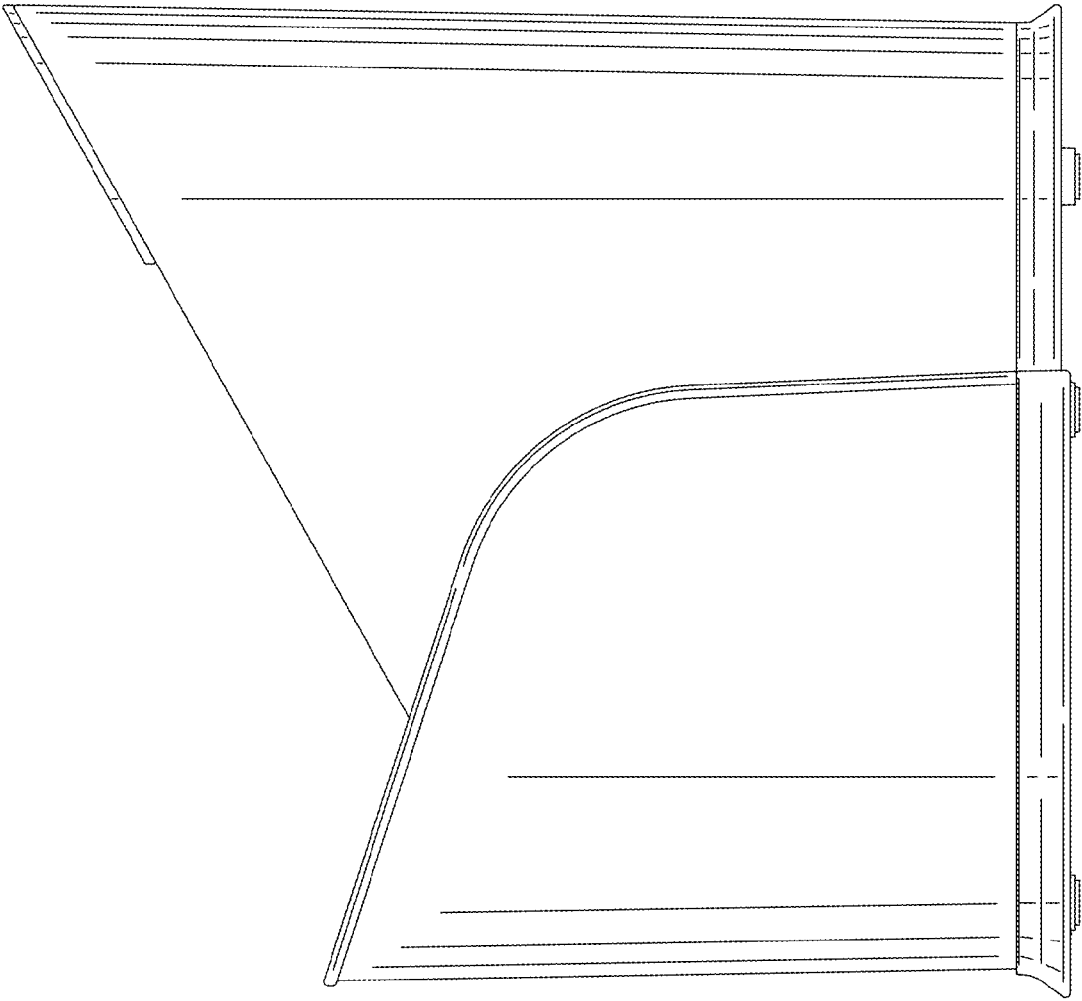


Fig. 4

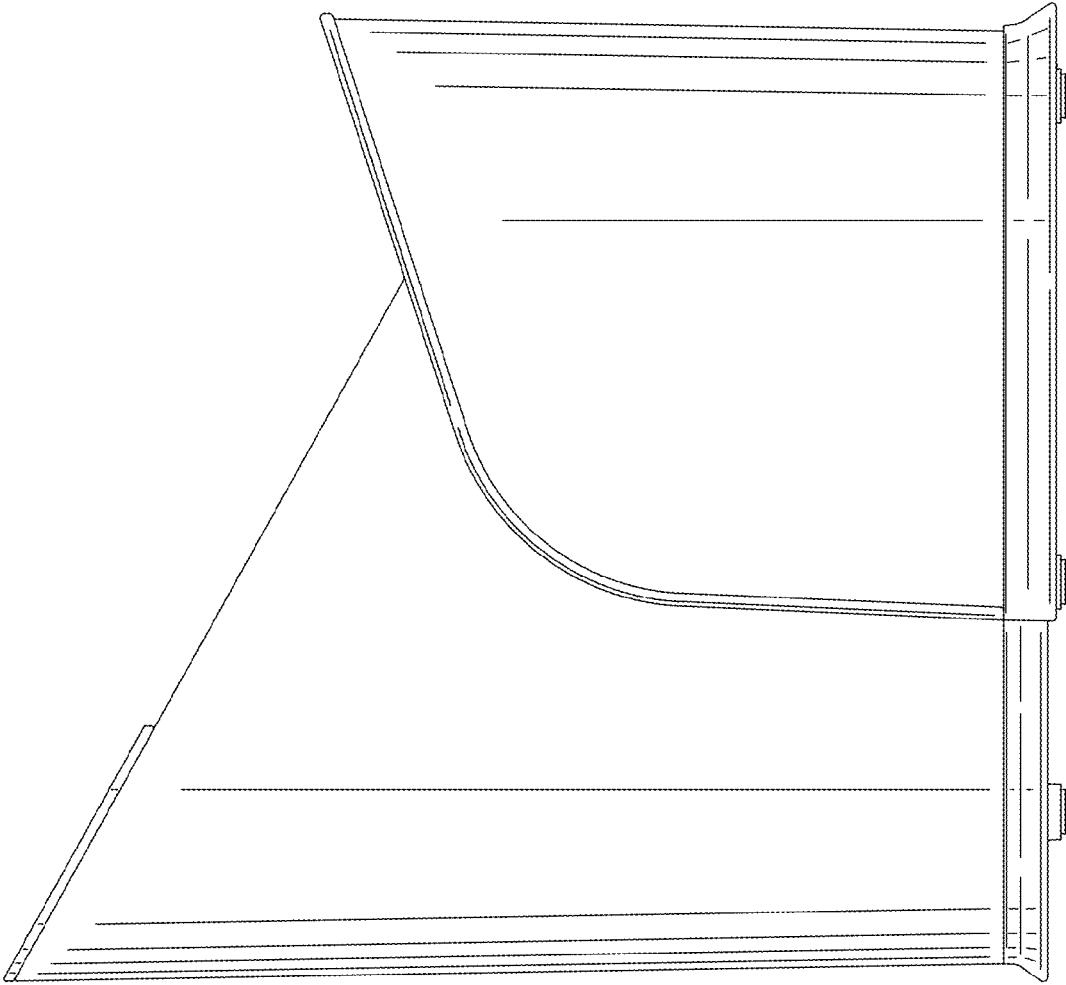


Fig. 5

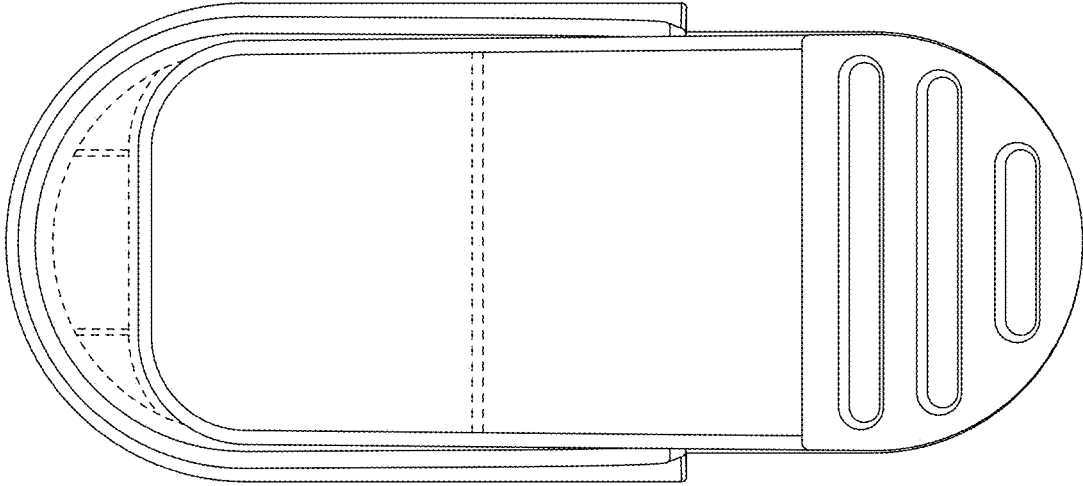


Fig. 6

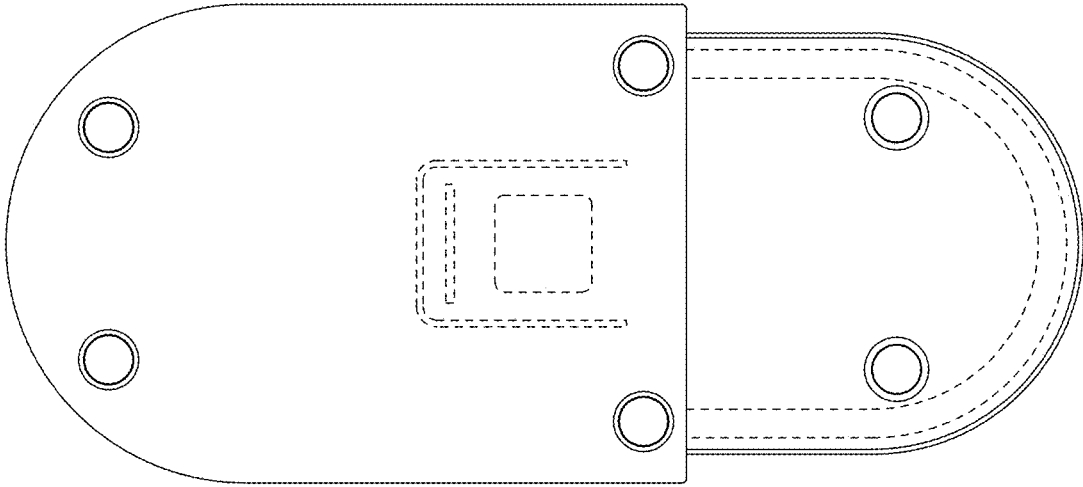


Fig. 7