



US00D892628S

(12) **United States Design Patent**
Caruso

(10) **Patent No.:** **US D892,628 S**

(45) **Date of Patent:** **** Aug. 11, 2020**

(54) **AEROSOL CANISTER CASE WITH INDICATION RING**

(71) Applicant: **Albert P. Caruso**, Tonawanda, NY (US)

(72) Inventor: **Albert P. Caruso**, Tonawanda, NY (US)

(**) Term: **15 Years**

(21) Appl. No.: **29/676,510**

(22) Filed: **Jan. 11, 2019**

(51) **LOC (12) Cl.** **09-01**

(52) **U.S. Cl.**
USPC **D9/688**; D9/682; D9/715

(58) **Field of Classification Search**
USPC D9/682-694, 435, 436, 444, 445, 448, D9/715, 719, 754, 501, 517, 520, 521
CPC B65D 83/14; B65D 83/16; B65D 83/20; B65D 83/201; B65D 83/205; B65D 83/206; B65D 83/22; B65D 83/38; B65D 83/382; B65D 83/384; B65D 83/386; B65D 83/388; B65D 83/40

See application file for complete search history.

(56) **References Cited**

U.S. PATENT DOCUMENTS

2,908,244	A	10/1959	Clark	
D220,941	S *	6/1971	Usen	D9/688
3,593,926	A *	7/1971	Kozub	B65D 83/205 239/579
3,912,131	A *	10/1975	Friedman	B65D 83/14 222/402.1
3,913,805	A *	10/1975	Sette	B65D 83/205 222/402.11
3,917,121	A *	11/1975	Ciaffone	B65D 83/205 222/146.3
4,103,806	A *	8/1978	White	B65D 83/40 220/724

4,735,349	A *	4/1988	Diamond	B65D 83/205 222/402.1
D298,740	S *	11/1988	Warrell	D9/520
D317,714	S *	6/1991	Greubel	D28/91.1
5,027,982	A *	7/1991	Demarest	B65D 83/205 222/182
D335,817	S *	5/1993	Greubel	D9/688
5,234,140	A *	8/1993	Demarest	B01J 7/02 222/394
5,366,118	A	11/1994	Ciammitti et al.	
5,379,924	A	1/1995	Taylor	

(Continued)

FOREIGN PATENT DOCUMENTS

CN	103980592	8/2014		
DE	202011000160	U1 *	4/2012	B65D 83/56

(Continued)

Primary Examiner — Catherine A Tuttle
(74) *Attorney, Agent, or Firm* — Simpson & Simpson, PLLC; Michael Nicholas Vranjes

(57) **CLAIM**

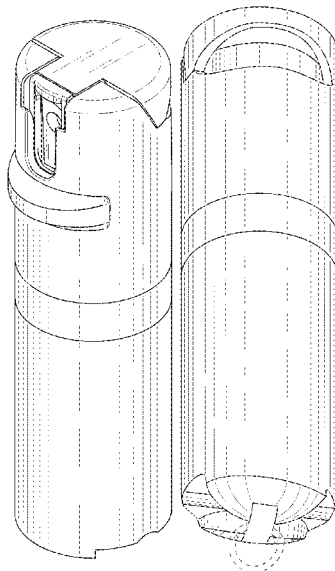
The ornamental design for an aerosol canister case with indication ring, as shown and described.

DESCRIPTION

FIG. 1 is a front top perspective view of the aerosol canister case with indication ring showing my new design; FIG. 2 is a rear bottom perspective view thereof; FIG. 3 is a front elevational view thereof; FIG. 4 is a rear elevational view thereof; FIG. 5 is a left side elevational view thereof; FIG. 6 is a right side elevational view thereof; FIG. 7 is a top plan view thereof; and, FIG. 8 is a bottom plan view thereof.

The broken lines depicting the connection means are for illustrative purposes only; and form no part of the claimed design.

1 Claim, 7 Drawing Sheets



(56)

References Cited

U.S. PATENT DOCUMENTS

5,388,730 A * 2/1995 Abbott B65D 83/205
 222/153.13
 5,458,263 A 10/1995 Ciammitti et al.
 5,531,359 A * 7/1996 Winner B65D 83/384
 222/153.11
 5,556,003 A 9/1996 Johnson et al.
 5,709,320 A * 1/1998 Jimenez B05B 11/00
 222/153.13
 D402,542 S * 12/1998 Meshberg D9/688
 6,398,082 B2 6/2002 Clark et al.
 6,592,011 B1 * 7/2003 Lammel B65D 83/384
 222/153.11
 D507,753 S * 7/2005 Lamb D9/504
 6,932,246 B2 8/2005 Crosnier et al.
 D513,387 S * 1/2006 Limbert D9/600
 D533,788 S * 12/2006 Kleiman D9/687
 D553,002 S * 10/2007 Petek D9/682
 7,922,041 B2 4/2011 Gurrisi et al.
 8,556,125 B2 10/2013 Dapper
 8,622,256 B2 1/2014 Campbell
 8,765,850 B2 7/2014 Iwamoto et al.
 8,978,937 B2 3/2015 Chamber et al.
 D734,151 S * 7/2015 Herbst D9/448
 9,120,606 B2 9/2015 Walter et al.

9,174,229 B2 11/2015 Smith
 9,205,618 B2 12/2015 Campbell
 D792,764 S * 7/2017 Jacobs D9/448
 9,803,954 B2 10/2017 Scarr
 9,815,612 B1 * 11/2017 Caruso B65D 83/40
 10,479,592 B1 * 11/2019 Caruso B05B 15/62
 2006/0081661 A1 * 4/2006 Lasserre B65D 83/22
 222/402.1
 2008/0029551 A1 2/2008 Lombardi
 2010/0206246 A1 8/2010 Waldrep
 2011/0303767 A1 12/2011 Smith
 2012/0325861 A1 12/2012 Pardonge
 2014/0252036 A1 9/2014 Ballard
 2015/0097004 A1 * 4/2015 Caruso B65D 83/384
 222/153.11
 2015/0329252 A1 11/2015 Walter et al.
 2015/0344214 A1 12/2015 Yamaguchi et al.
 2016/0059247 A1 3/2016 Smith

FOREIGN PATENT DOCUMENTS

GB 1362492 8/1974
 GB 2463716 A * 3/2010 B05B 11/3097
 JP 20140051586 10/2015
 WO WO-2014018498 A1 * 1/2014 B05B 12/0022

* cited by examiner

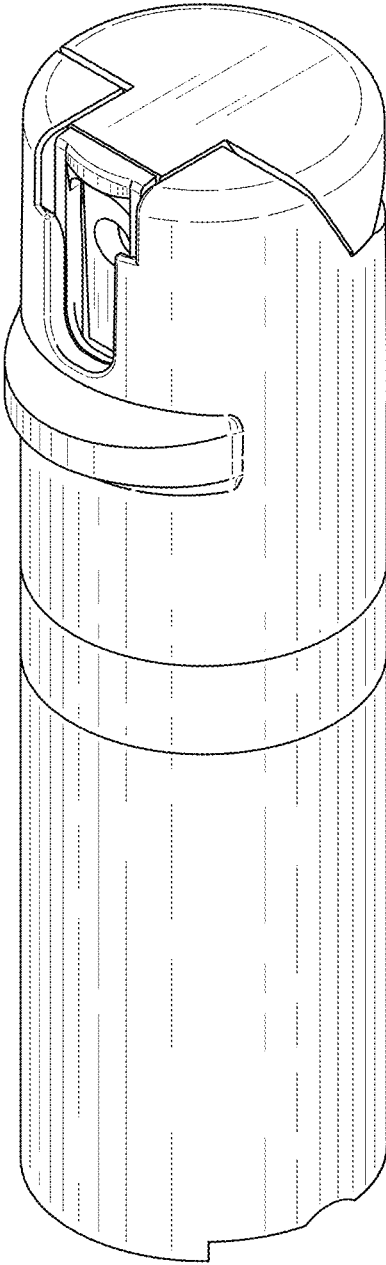


Fig. 1

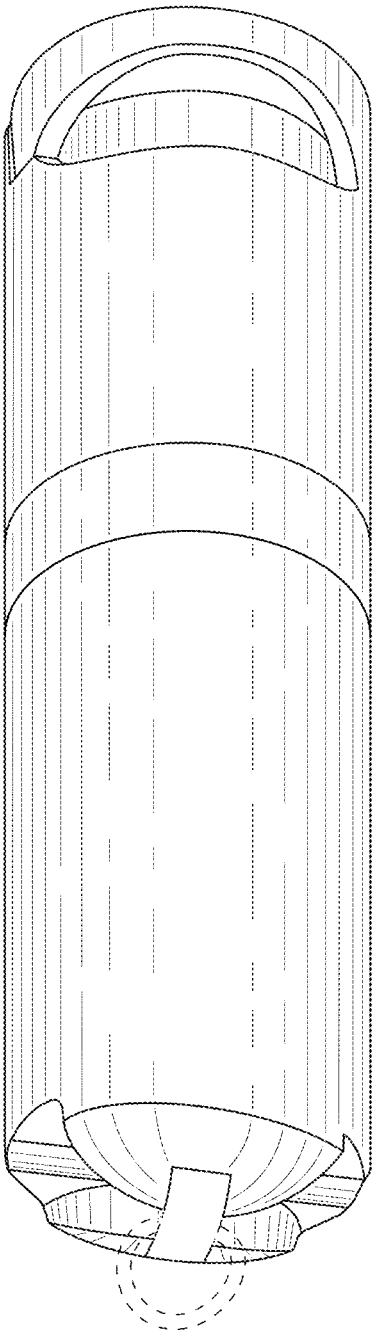


Fig. 2

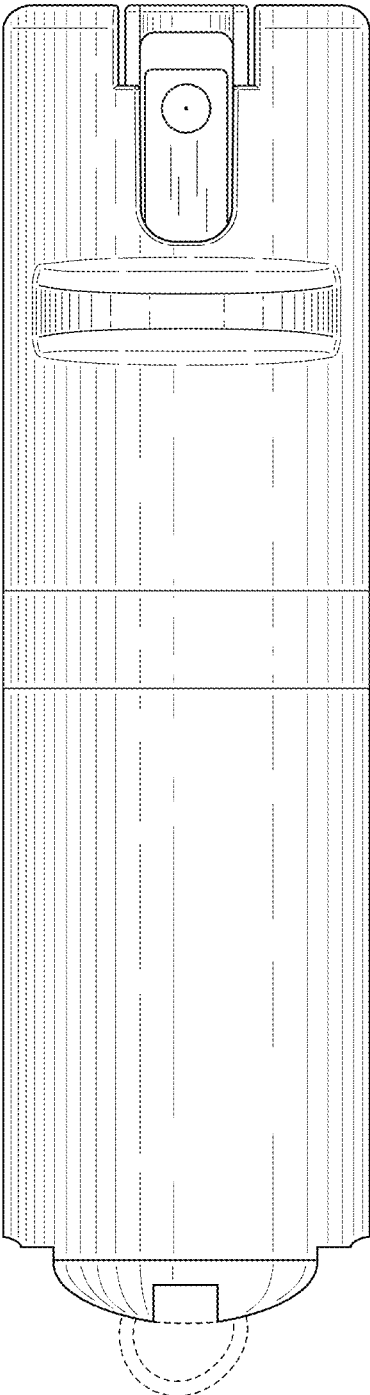


Fig. 3

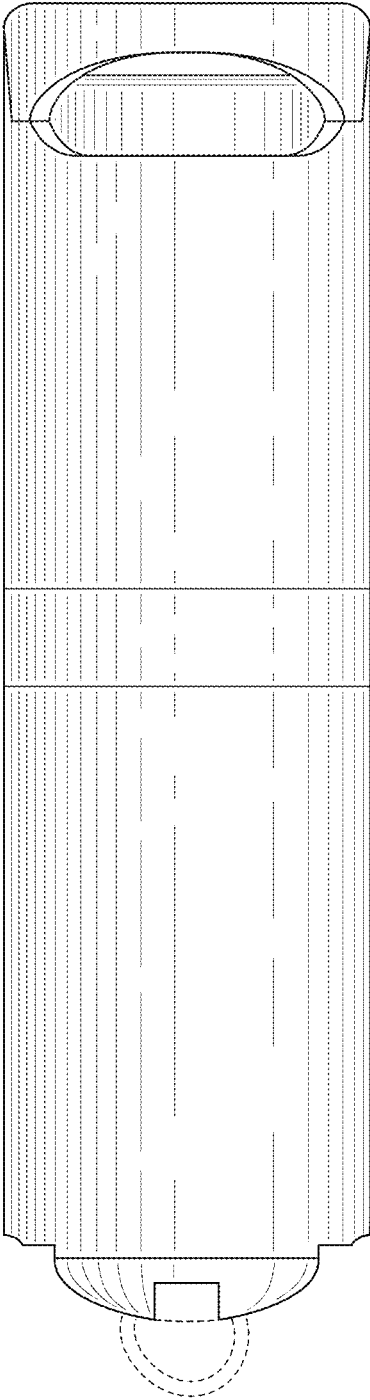


Fig. 4

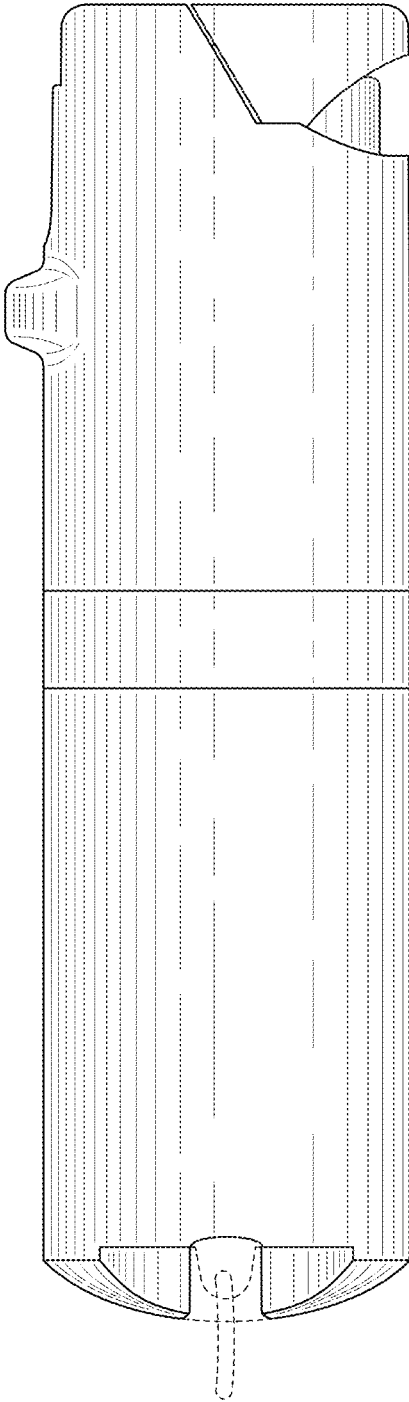


Fig. 5

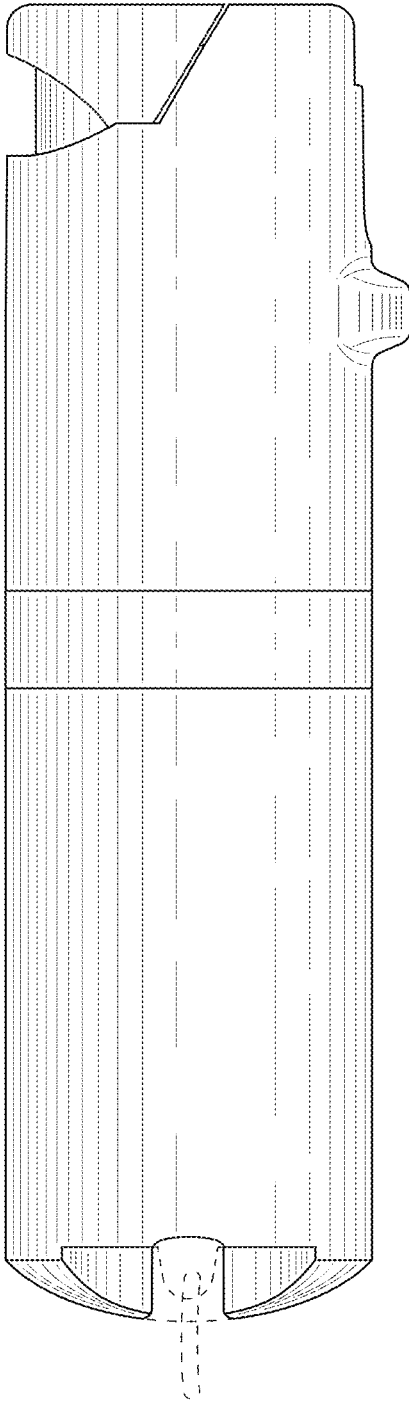


Fig. 6

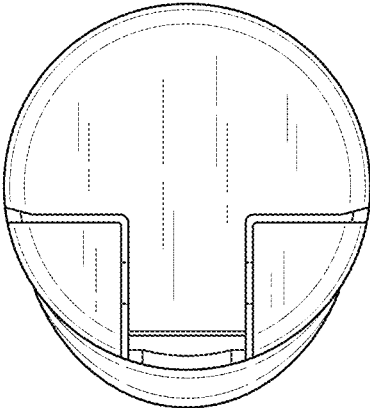


Fig. 7

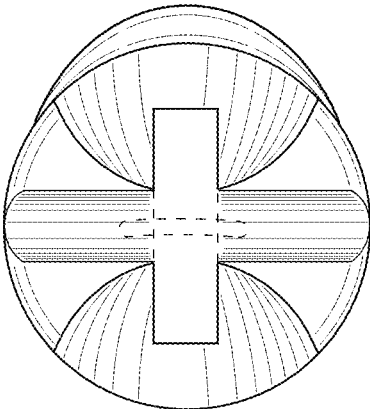


Fig. 8