



US00D919218S

(12) **United States Design Patent** (10) **Patent No.:** **US D919,218 S**
Asis (45) **Date of Patent:** **** May 11, 2021**

(54) **DISH RACK**

(71) Applicant: **Umbra LLC**, Buffalo, NY (US)

(72) Inventor: **Nathan Asis**, Richmond Hill (CA)

(73) Assignee: **Umbra LLC**, Buffalo, NY (US)

(**) Term: **15 Years**

(21) Appl. No.: **29/719,109**

(22) Filed: **Dec. 31, 2019**

(51) **LOC (13) Cl.** **07-05**

(52) **U.S. Cl.**
USPC **D32/55**

(58) **Field of Classification Search**
USPC D32/55, 276, 3; D6/510, 525; D30/133;
211/41.5, 41.4, 41.3, 41.8; 361/679.4;
312/311, 333, 334.4; D7/354, 629
CPC A47J 47/20; A47J 2201/00; A47J 47/00;
B65D 35/02; B65D 35/22; B65D 35/56
See application file for complete search history.

(56) **References Cited**

U.S. PATENT DOCUMENTS

D586,061	S	*	2/2009	Curtin	D32/55
D647,678	S	*	10/2011	Yang	D32/55
D667,190	S	*	9/2012	Miller	D32/55
D677,443	S	*	3/2013	Urdaneta	D32/55
D693,081	S	*	11/2013	Yang	D32/55
D699,413	S	*	2/2014	Huang	D32/55
D706,510	S	*	6/2014	Lerner	D32/55
D776,385	S	*	1/2017	Evans	D32/55
D776,387	S	*	1/2017	Chen	D32/56
D783,216	S	*	4/2017	Huang	D32/55
D799,133	S	*	10/2017	Wong	D32/55

D819,289	S	*	5/2018	Umholtz	D32/55
D871,703	S	*	12/2019	Huang	D32/55
D874,775	S	*	2/2020	Xie	D32/55
D887,098	S	*	6/2020	Li	D32/55

* cited by examiner

Primary Examiner — Austin Murphy
(74) *Attorney, Agent, or Firm* — Simpson & Simpson, PLLC

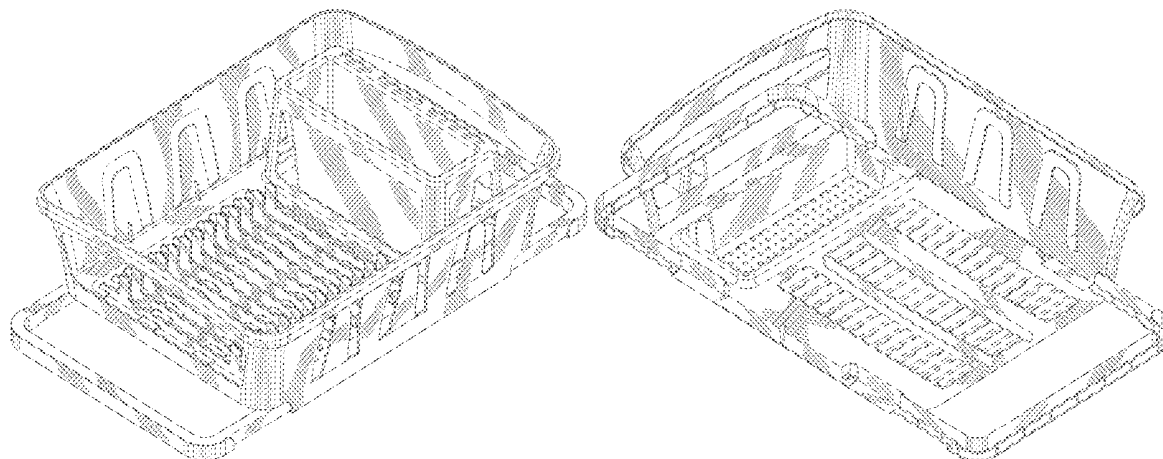
(57) **CLAIM**

The ornamental design for a dish rack, as shown and described.

DESCRIPTION

FIG. 1 is a top front perspective view of the dish rack of the present invention;
FIG. 2 is a top rear perspective view of the dish rack shown in FIG. 1;
FIG. 3 is a bottom front perspective view of the dish rack shown in FIG. 1;
FIG. 4 is a bottom rear perspective view of the dish rack shown in FIG. 1;
FIG. 5 is a front view of the dish rack shown in FIG. 1;
FIG. 6 is a rear view of the dish rack shown in FIG. 1;
FIG. 7 is a left side view of the dish rack shown in FIG. 1;
FIG. 8 is a right side view of the dish rack shown in FIG. 1;
FIG. 9 is a top plan view of the dish rack shown in FIG. 1; and,
FIG. 10 is a bottom plan view of the dish rack shown in FIG. 1.
Stippling and/or contour lines are included in the various views, for example, FIGS. 1-9, to depict surface curvature, flatness, or other shapes.

1 Claim, 8 Drawing Sheets



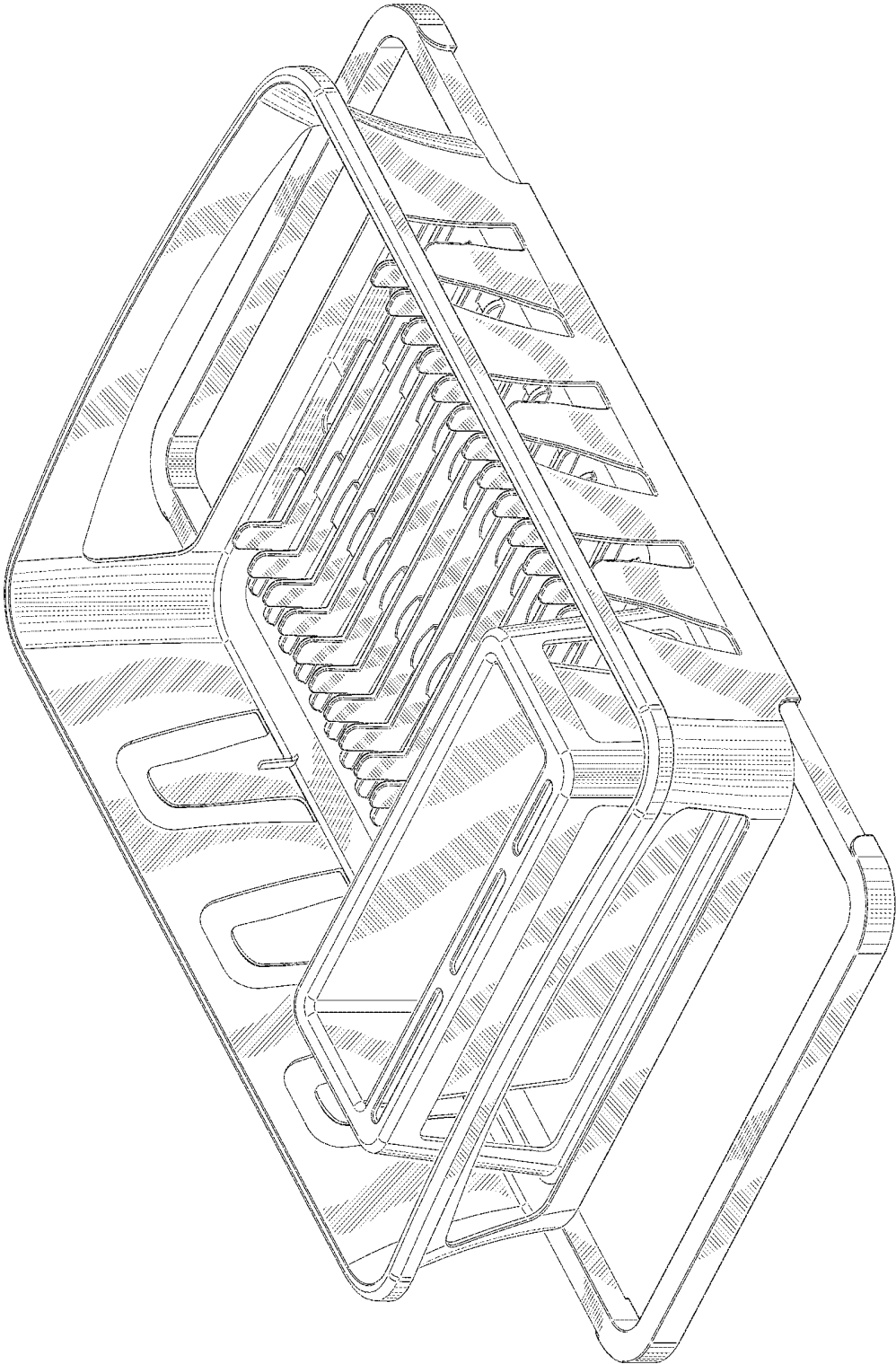


Fig. 1

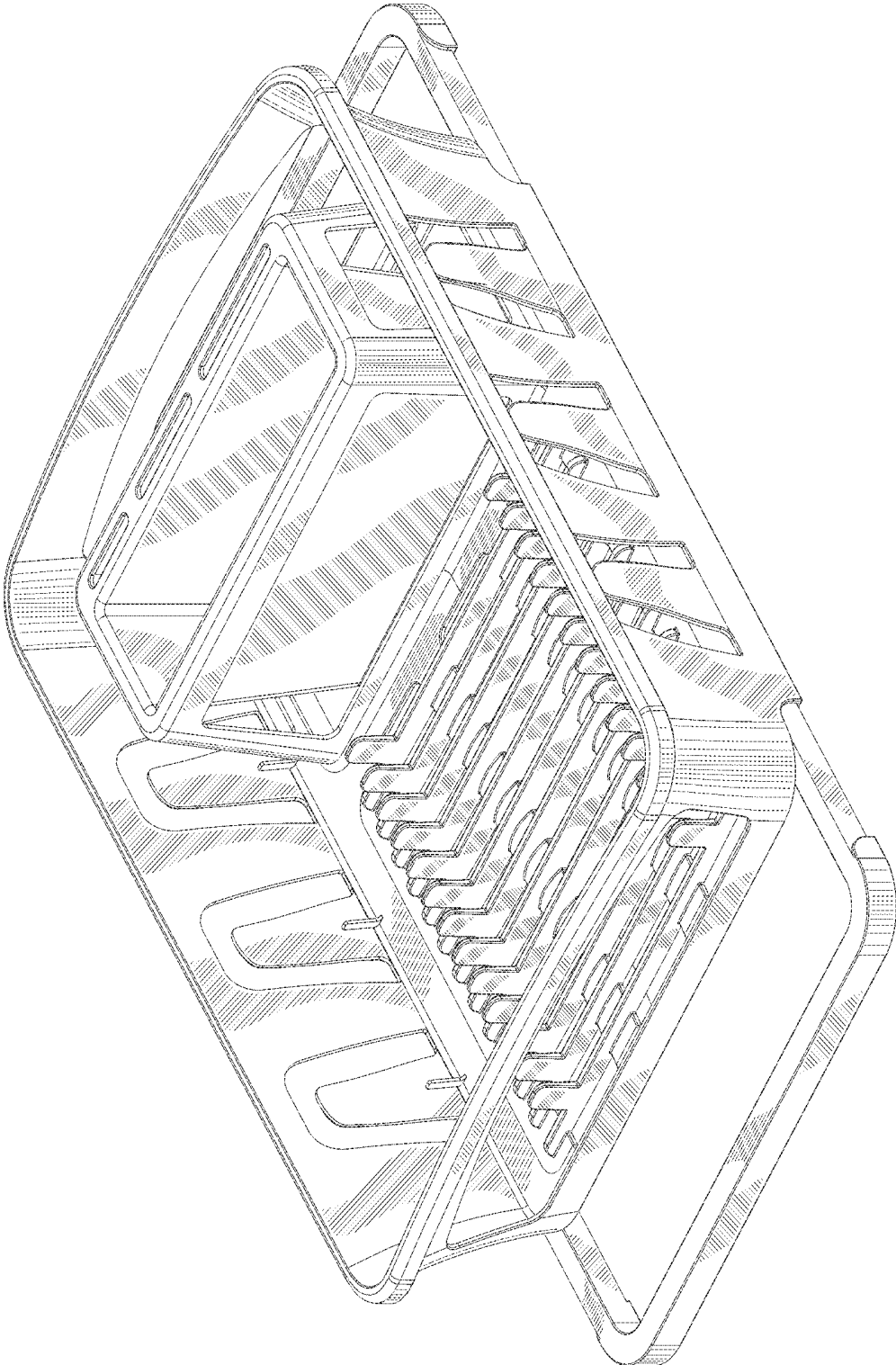


Fig. 2

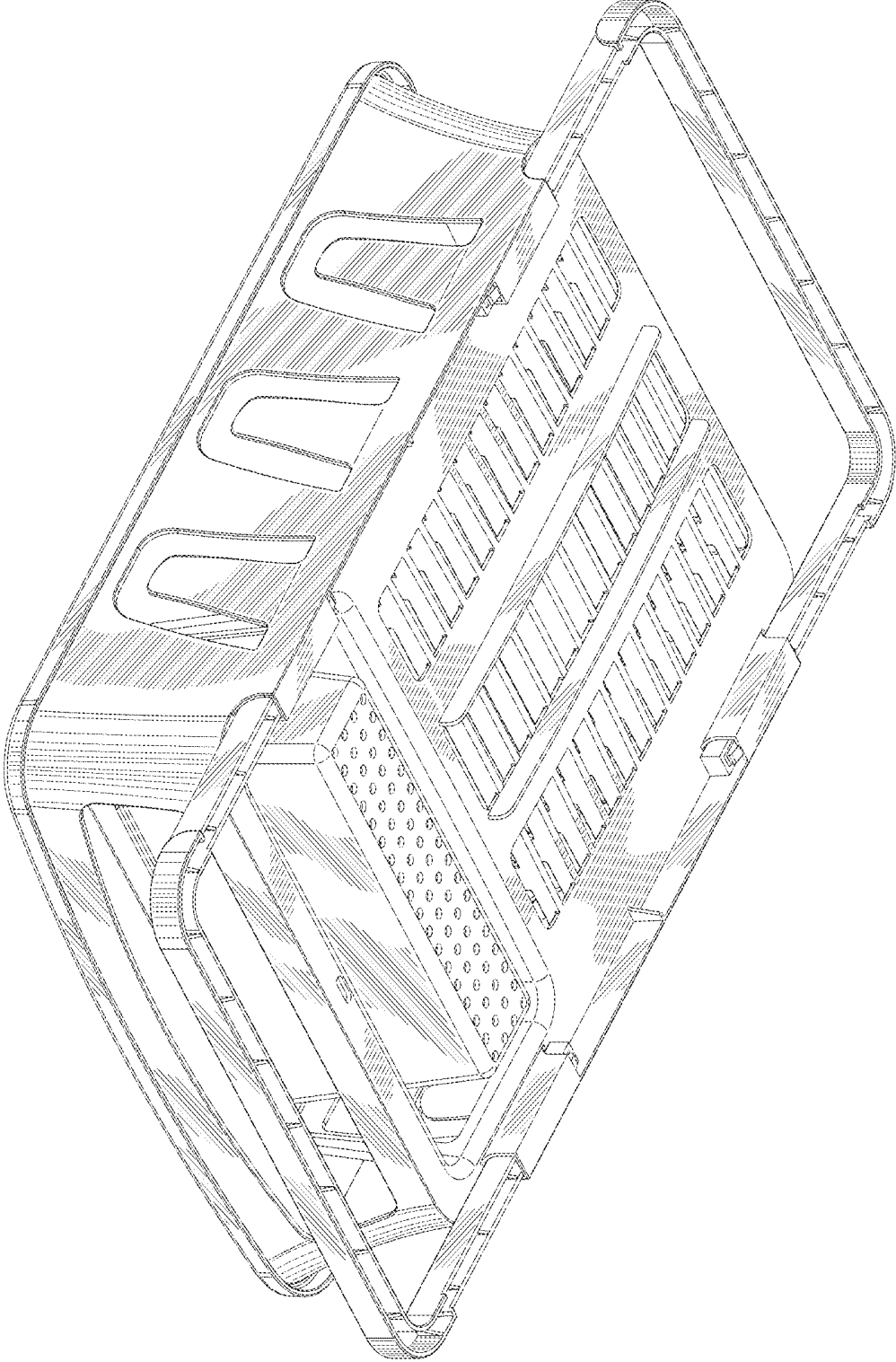


Fig. 3

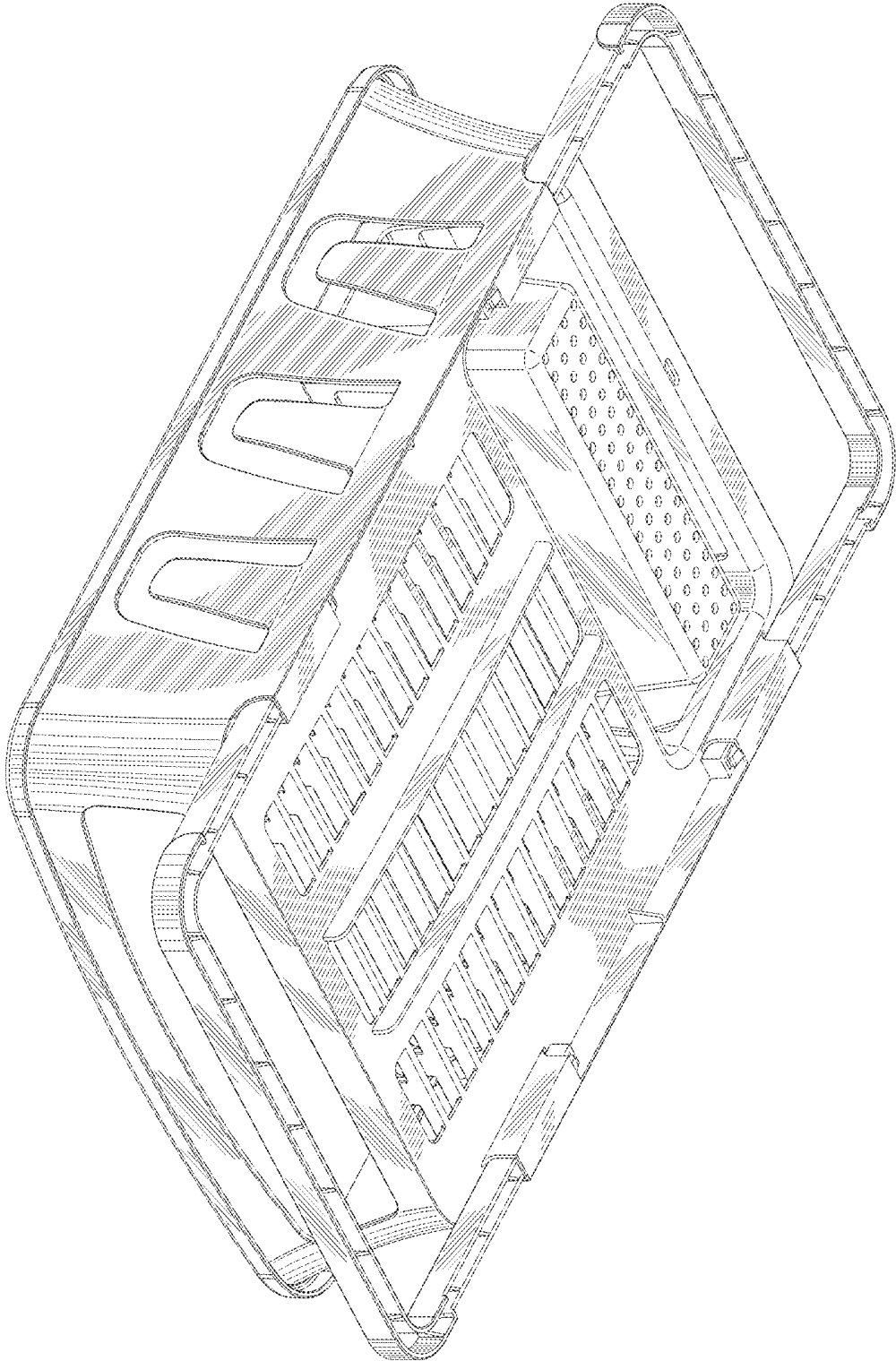


Fig. 4

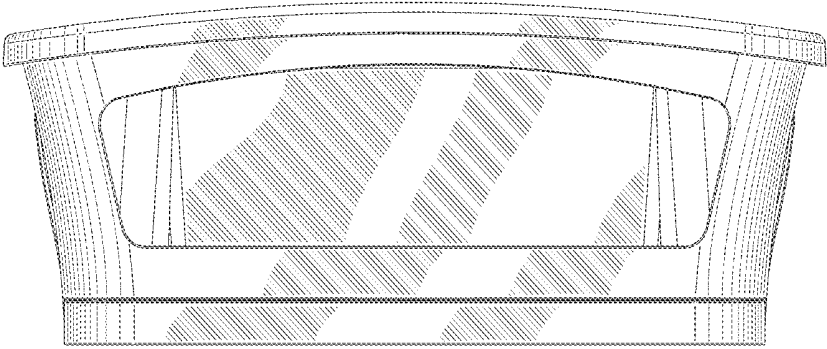


Fig. 5

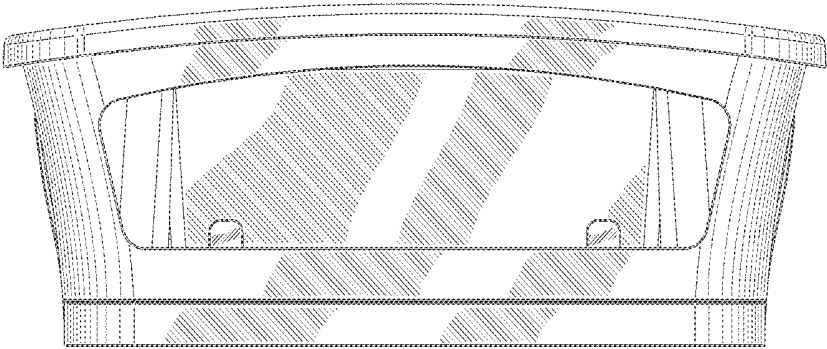


Fig. 6

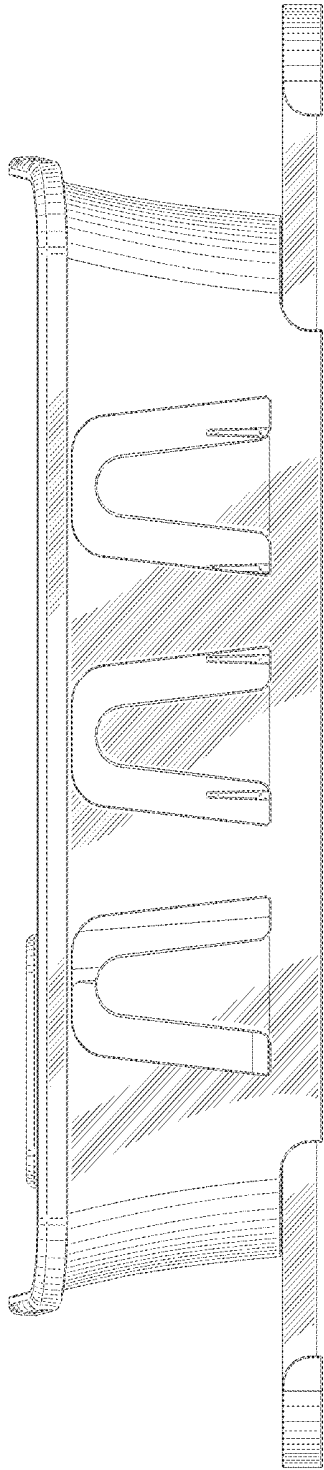


Fig. 7

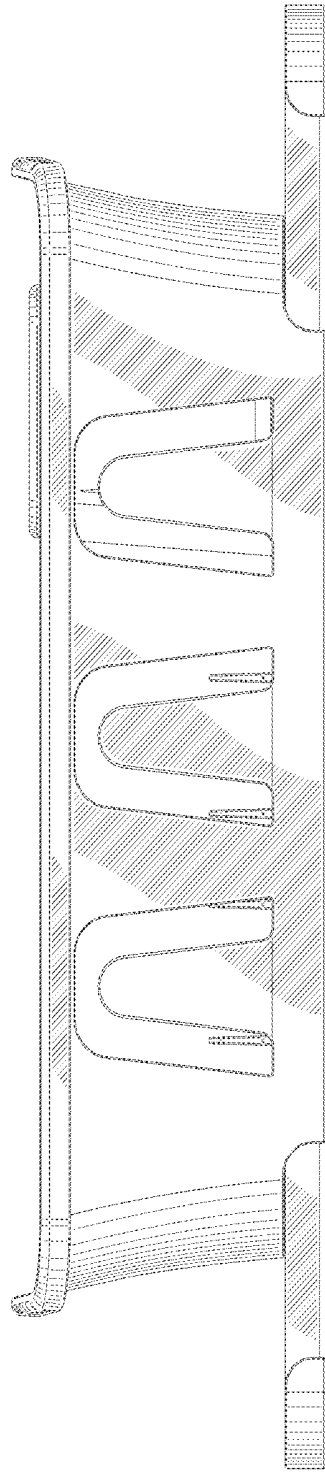


Fig. 8

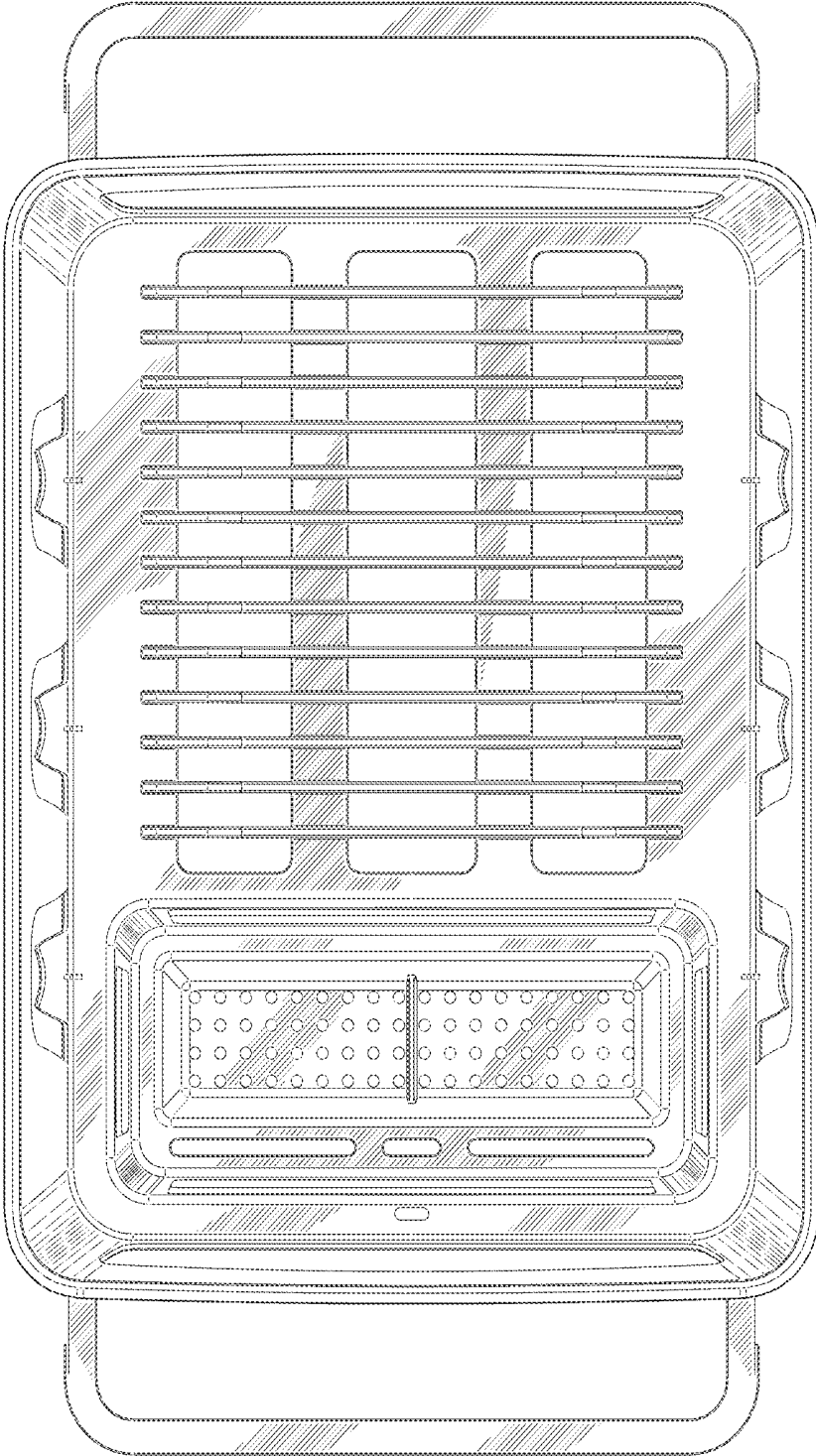


Fig. 9

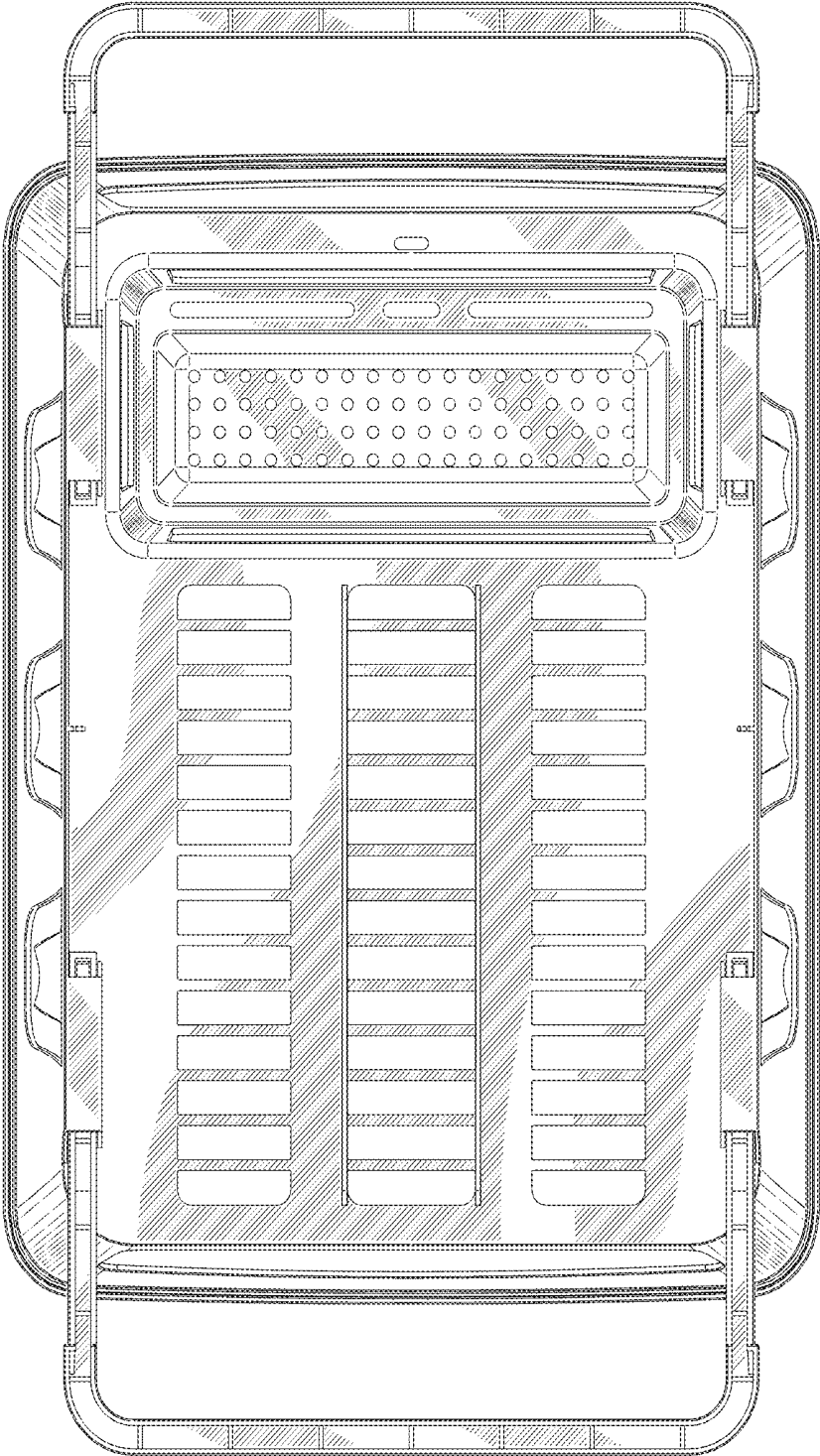


Fig. 10