



(12) **United States Design Patent**
Park

(10) **Patent No.:** **US D925,929 S**
(45) **Date of Patent:** **** Jul. 27, 2021**

- (54) **PHOTO DISPLAY**
- (71) Applicant: **Umbra LLC**, Buffalo, NY (US)
- (72) Inventor: **Sung Wook Park**, Toronto (CA)
- (73) Assignee: **Umbra LLC**, Buffalo, NY (US)
- (**) Term: **15 Years**
- (21) Appl. No.: **29/710,601**
- (22) Filed: **Oct. 24, 2019**

D508,883	S	*	8/2005	Falconer	D12/189
D509,369	S	*	9/2005	Snell	D6/310
D598,053	S	*	8/2009	Sanchez	D14/159
D649,790	S	*	12/2011	Pitot	D6/309
D689,701	S	*	9/2013	Mischel, Jr.	D6/309
D701,050	S	*	3/2014	Yang	D6/309
D736,001	S	*	8/2015	Yang	D6/309
D846,288	S	*	4/2019	Yang	D6/309
D850,125	S	*	6/2019	Wang	D6/309
10,337,709	B1	*	7/2019	Lo	A45D 42/16
D869,863	S	*	12/2019	Liu	D6/310

(Continued)

Primary Examiner — W. A. Teddy Falloway
(74) *Attorney, Agent, or Firm* — Simpson & Simpson, PLLC; Robert P. Simpson

Related U.S. Application Data

- (63) Continuation-in-part of application No. 29/697,080, filed on Jul. 3, 2019, now abandoned.
- (51) **LOC (13) Cl.** **06-07**
- (52) **U.S. Cl.**
USPC **D6/310**
- (58) **Field of Classification Search**
USPC D6/300–314; D26/56; D20/10, 21, 41
CPC A45D 42/10; A45D 33/008; A45D 42/00;
F21V 33/004; F21V 33/00; B41J 2/01
See application file for complete search history.

(57) **CLAIM**

The ornamental design for a photo display, as shown and described.

DESCRIPTION

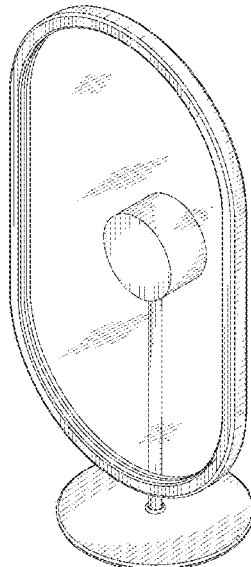
FIG. 1 is a front perspective view of the photo display of the present invention;
 FIG. 2 is a front elevational view of the photo display shown in FIG. 1;
 FIG. 3 is a right side elevational view of the photo display shown in FIG. 1;
 FIG. 4 is a back elevational view of the photo display shown in FIG. 1;
 FIG. 5 is a left side elevational view of the photo display shown in FIG. 1;
 FIG. 6 is a top plan view of the photo display shown in FIG. 1;
 FIG. 7 is a bottom plan view of the photo display shown in FIG. 1; and,
 FIG. 8 is a front perspective view of the photo display shown in FIG. 1. The broken lines showing a photo representation illustrate environmental structure that form no part of the claimed design.

(56) **References Cited**

U.S. PATENT DOCUMENTS

D60,887	S	*	4/1922	Tuttle	D19/96
6,302,550	B1	*	10/2001	Krieg	B60R 1/006 359/838
6,305,809	B1	*	10/2001	Zadro	A45D 42/08 248/474
D459,094	S	*	6/2002	Stone	D6/309
D487,271	S	*	3/2004	Korpai	D14/448
D487,272	S	*	3/2004	Korpai	D14/448
D487,273	S	*	3/2004	Korpai	D14/448
D487,465	S	*	3/2004	Korpai	D14/448
D488,160	S	*	4/2004	Korpai	D14/448
D488,161	S	*	4/2004	Korpai	D14/448
D488,162	S	*	4/2004	Korpai	D14/448

1 Claim, 7 Drawing Sheets



(56)

References Cited

U.S. PATENT DOCUMENTS

D874,162	S *	2/2020	Greenwait	D6/310
D879,481	S *	3/2020	Yang	D6/309
D882,280	S *	4/2020	Yang	D6/309
D891,123	S *	7/2020	Li	D6/310
D891,125	S *	7/2020	Liu	D6/310
D892,508	S *	8/2020	Yang	D6/309
D893,892	S *	8/2020	Rajasekaran	D6/310
D894,614	S *	9/2020	Chen	D6/309
D895,305	S *	9/2020	Yang	D6/309
D897,695	S *	10/2020	Yang	D6/309
D901,908	S *	11/2020	Zhao	D6/309
D905,449	S *	12/2020	Yang	D6/310
D905,976	S *	12/2020	Yang	D6/310
2007/0220794	A1 *	9/2007	Pitcher	G09F 15/0018 40/611.08
2017/0164719	A1 *	6/2017	Wheeler	A45D 42/16
2017/0181528	A1 *	6/2017	Zimmerman	A45D 42/14
2018/0263362	A1 *	9/2018	Yang	A47G 1/04
2020/0064590	A1 *	2/2020	Boehm	A45D 42/16

* cited by examiner

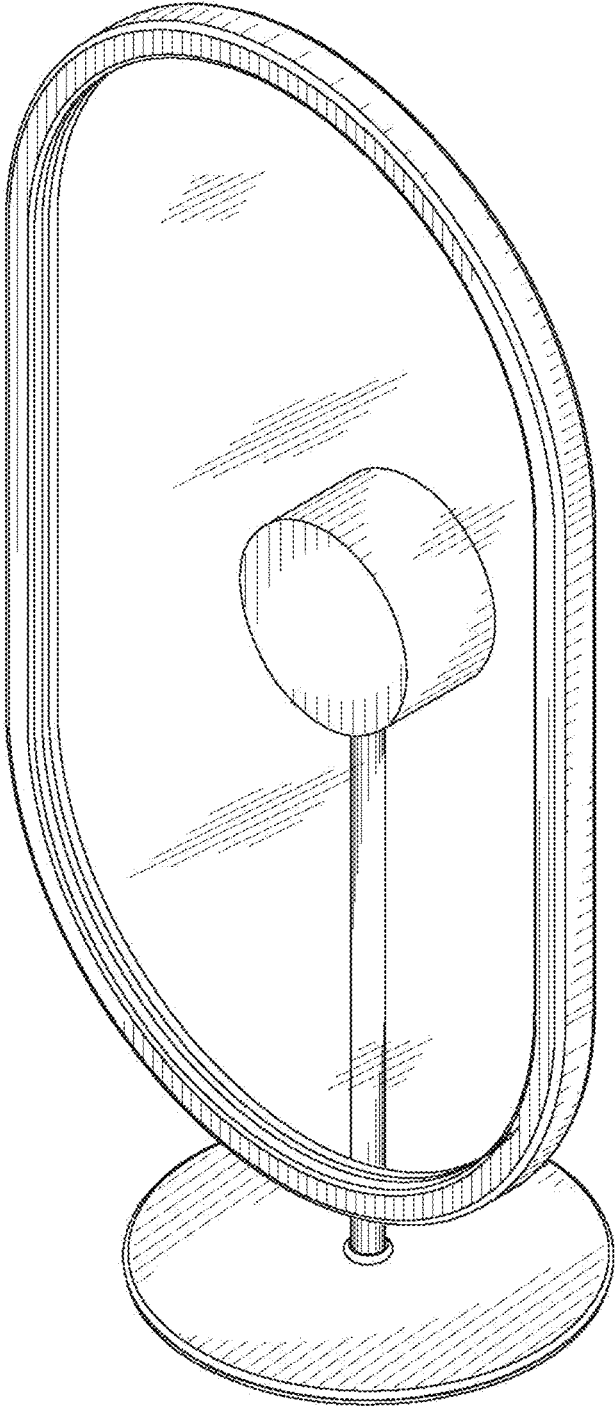


FIG. 1

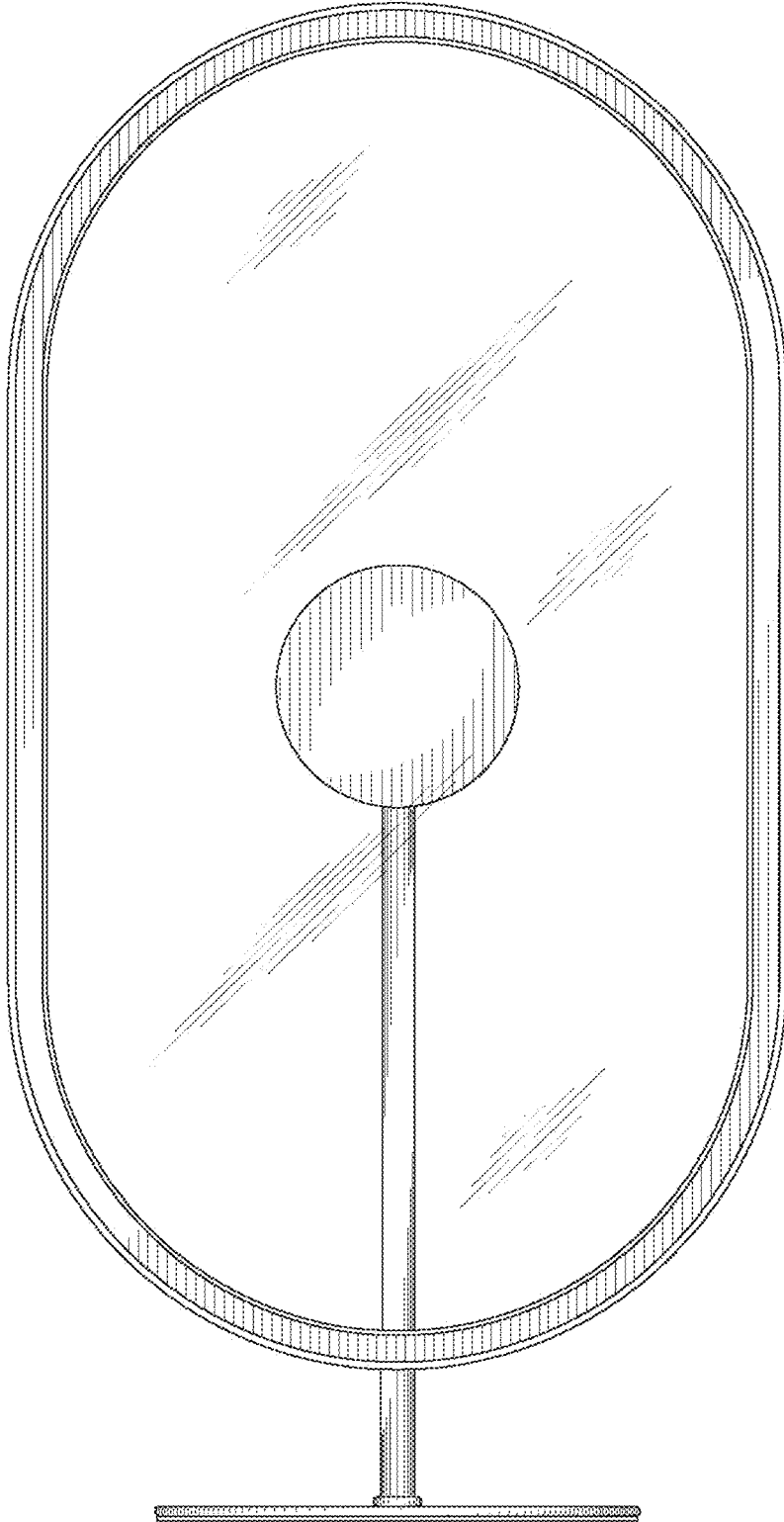


FIG. 2

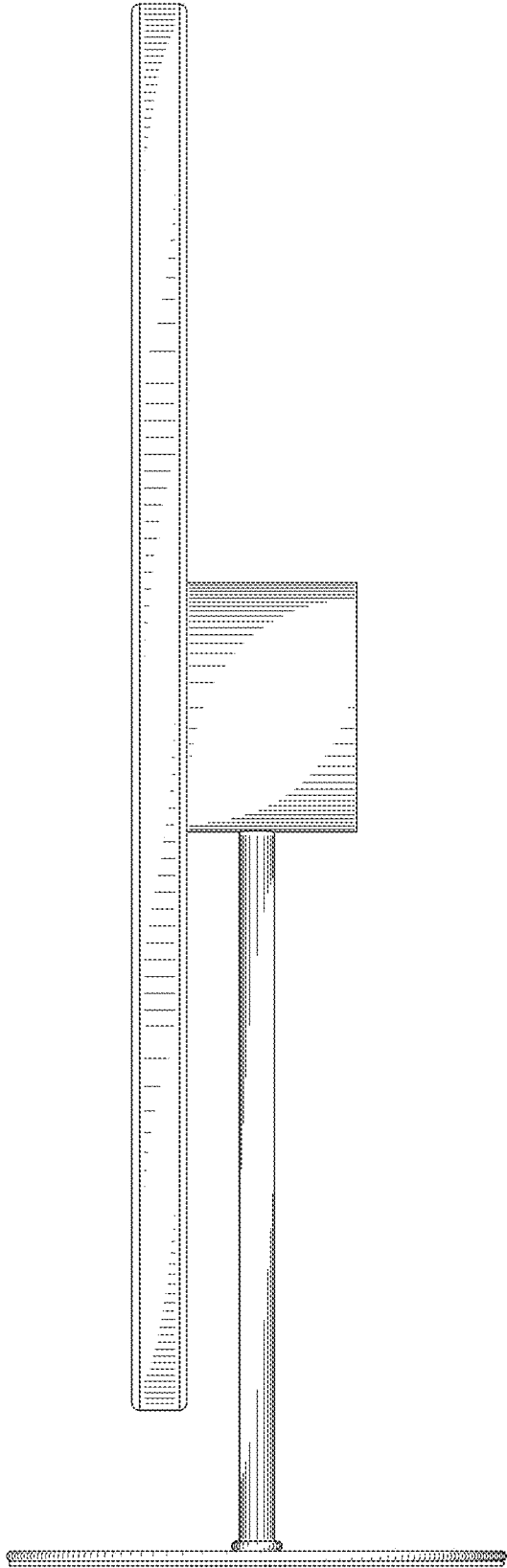


FIG. 3

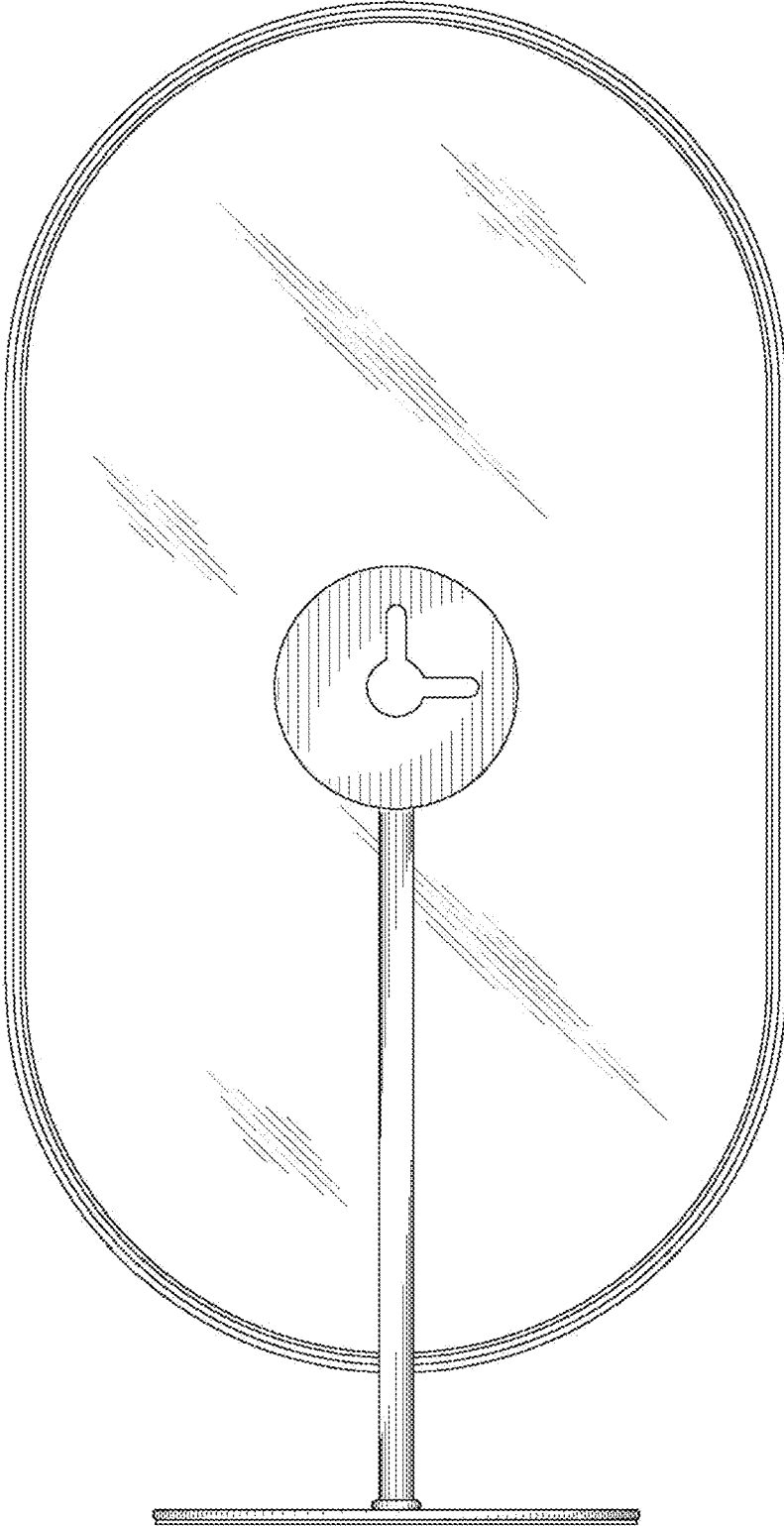


FIG. 4

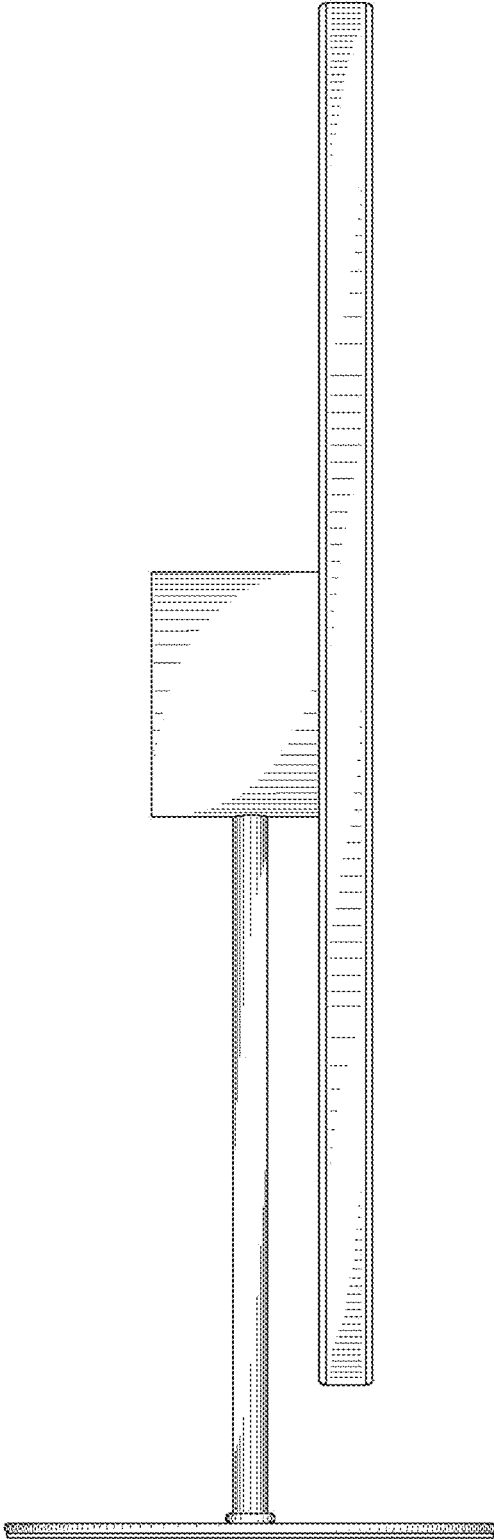


FIG. 5

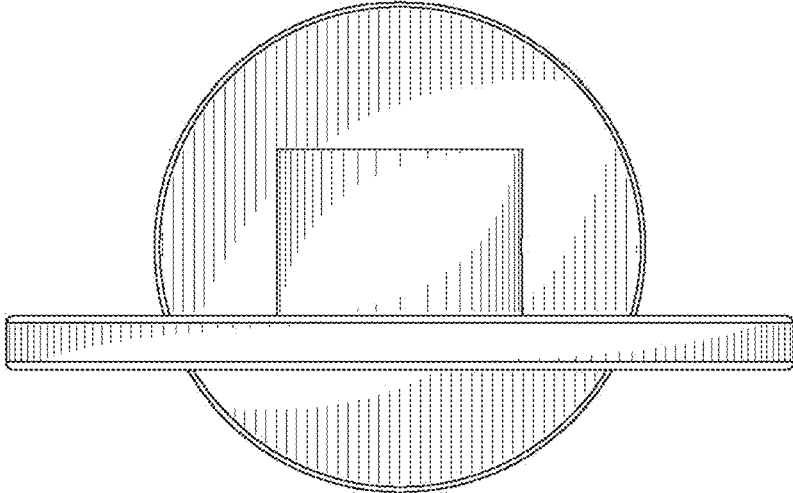


FIG. 6

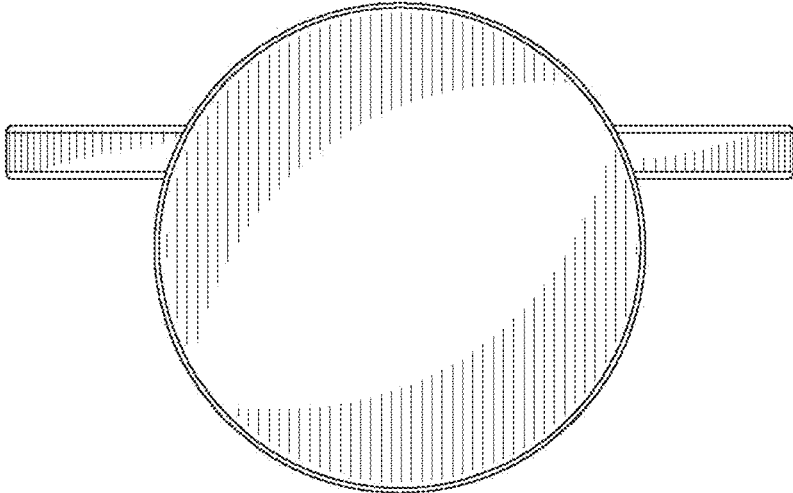


FIG. 7

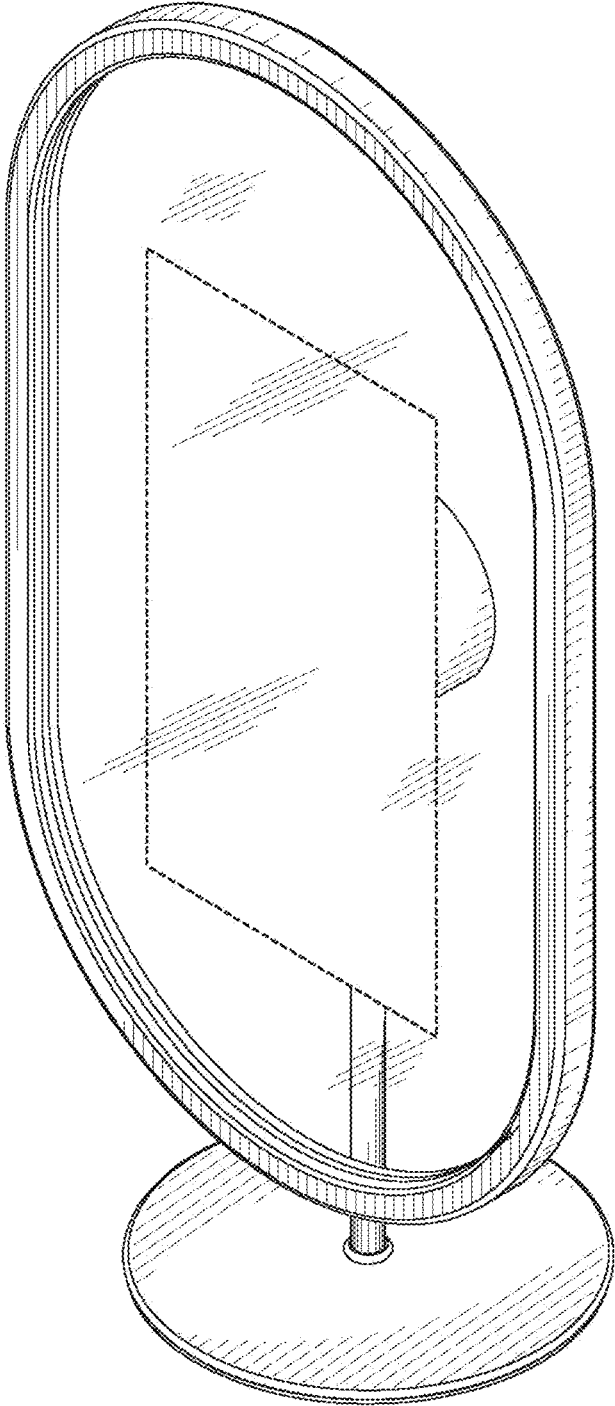


FIG. 8