



(12) **United States Design Patent**  
**Park**

(10) **Patent No.:** **US D925,930 S**  
(45) **Date of Patent:** **\*\* Jul. 27, 2021**

- (54) **PHOTO DISPLAY**
- (71) Applicant: **Umbra LLC**, Buffalo, NY (US)
- (72) Inventor: **Sung Wook Park**, Toronto (CA)
- (73) Assignee: **Umbra LLC**, Buffalo, NY (US)
- (\*\*) Term: **15 Years**
- (21) Appl. No.: **29/710,605**
- (22) Filed: **Oct. 24, 2019**

D509,369 S \* 9/2005 Snell ..... D6/310  
 D598,053 S \* 8/2009 Sanchez ..... D14/159  
 D649,790 S \* 12/2011 Pitot ..... D6/309

(Continued)

*Primary Examiner* — W. A. Teddy Falloway  
 (74) *Attorney, Agent, or Firm* — Simpson & Simpson,  
 PLLC; Robert P. Simpson

(57) **CLAIM**

The ornamental design for a photo display, as shown and described.

**DESCRIPTION**

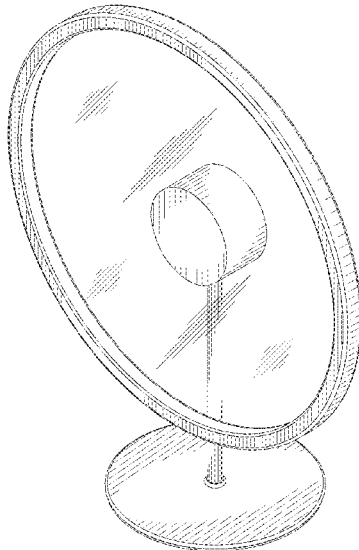
- Related U.S. Application Data**
- (63) Continuation-in-part of application No. 29/697,075, filed on Jul. 3, 2019, now abandoned.
  - (51) **LOC (13) Cl.** ..... **06-07**
  - (52) **U.S. Cl.**  
USPC ..... **D6/310; D6/309**
  - (58) **Field of Classification Search**  
USPC ..... D6/300–314; D26/56; D20/10, 21, 41  
CPC ..... A45D 42/10; A45D 33/008; A45D 42/00;  
F21V 33/004; F21V 33/00; B41J 2/01  
See application file for complete search history.

FIG. 1 is a front perspective view of the photo display of the present invention;  
 FIG. 2 is a front elevational view of the photo display shown in FIG. 1;  
 FIG. 3 is a right side elevational view of the photo display shown in FIG. 1;  
 FIG. 4 is a back elevational view of the photo display shown in FIG. 1;  
 FIG. 5 is a left side elevational view of the photo display shown in FIG. 1;  
 FIG. 6 is a top plan view of the photo display shown in FIG. 1;  
 FIG. 7 is a bottom plan view of the photo display shown in FIG. 1; and,  
 FIG. 8 is a front perspective view of the photo display shown in FIG. 1.

- (56) **References Cited**
- U.S. PATENT DOCUMENTS
- |                |         |          |       |                       |
|----------------|---------|----------|-------|-----------------------|
| D60,887 S *    | 4/1922  | Tuttle   | ..... | D19/96                |
| 6,302,550 B1 * | 10/2001 | Krieg    | ..... | B60R 1/006<br>359/838 |
| 6,305,809 B1 * | 10/2001 | Zadro    | ..... | A45D 42/08<br>248/474 |
| D459,094 S *   | 6/2002  | Stone    | ..... | D6/309                |
| D487,271 S *   | 3/2004  | Korpai   | ..... | D14/448               |
| D487,272 S *   | 3/2004  | Korpai   | ..... | D14/448               |
| D487,273 S *   | 3/2004  | Korpai   | ..... | D14/448               |
| D487,465 S *   | 3/2004  | Korpai   | ..... | D14/448               |
| D488,160 S *   | 4/2004  | Korpai   | ..... | D14/448               |
| D488,161 S *   | 4/2004  | Korpai   | ..... | D14/448               |
| D488,162 S *   | 4/2004  | Korpai   | ..... | D14/448               |
| D508,883 S *   | 8/2005  | Falconer | ..... | D12/189               |

The broken lines showing a photo representation illustrate environmental structure. The broken lines shown in FIG. 7 illustrate portions of the photo display. The broken lines form no part of the claimed design.  
 Stippling and/or contour lines are included in the various views, for example, FIGS. 1-8, to depict surface curvature, flatness, or other shapes. Shading lines are included in various views, for example, FIGS. 1, 2, 4, and 8, to depict that the panes in the photo display are transparent.

**1 Claim, 7 Drawing Sheets**



(56)

## References Cited

## U.S. PATENT DOCUMENTS

D689,701	S	*	9/2013	Mischel, Jr.	.....	D6/309
D701,050	S	*	3/2014	Yang	.....	D6/309
D736,001	S	*	8/2015	Yang	.....	D6/309
D846,288	S	*	4/2019	Yang	.....	D6/309
D850,125	S	*	6/2019	Wang	.....	D6/309
10,337,709	B1	*	7/2019	Lo	.....	A45D 42/16
D869,863	S	*	12/2019	Liu	.....	D6/310
D874,162	S	*	2/2020	Greenwait	.....	D6/310
D879,481	S	*	3/2020	Yang	.....	D6/309
D882,280	S	*	4/2020	Yang	.....	D6/309
D891,123	S	*	7/2020	Li	.....	D6/310
D891,125	S	*	7/2020	Liu	.....	D6/310
D892,508	S	*	8/2020	Yang	.....	D6/309
D893,892	S	*	8/2020	Rajasekaran	.....	D6/310
D894,614	S	*	9/2020	Chen	.....	D6/309
D895,305	S	*	9/2020	Yang	.....	D6/309
D897,695	S	*	10/2020	Yang	.....	D6/309
D901,908	S	*	11/2020	Zhao	.....	D6/309
D905,449	S	*	12/2020	Yang	.....	D6/310
D905,976	S	*	12/2020	Yang	.....	D6/310
2007/0220794	A1	*	9/2007	Pitcher	.....	G09F 15/0018 40/611.08
2017/0164719	A1	*	6/2017	Wheeler	.....	A45D 42/16
2017/0181528	A1	*	6/2017	Zimmerman	.....	A45D 42/14
2018/0263362	A1	*	9/2018	Yang	.....	A47G 1/04
2020/0064590	A1	*	2/2020	Boehm	.....	A45D 42/16

\* cited by examiner

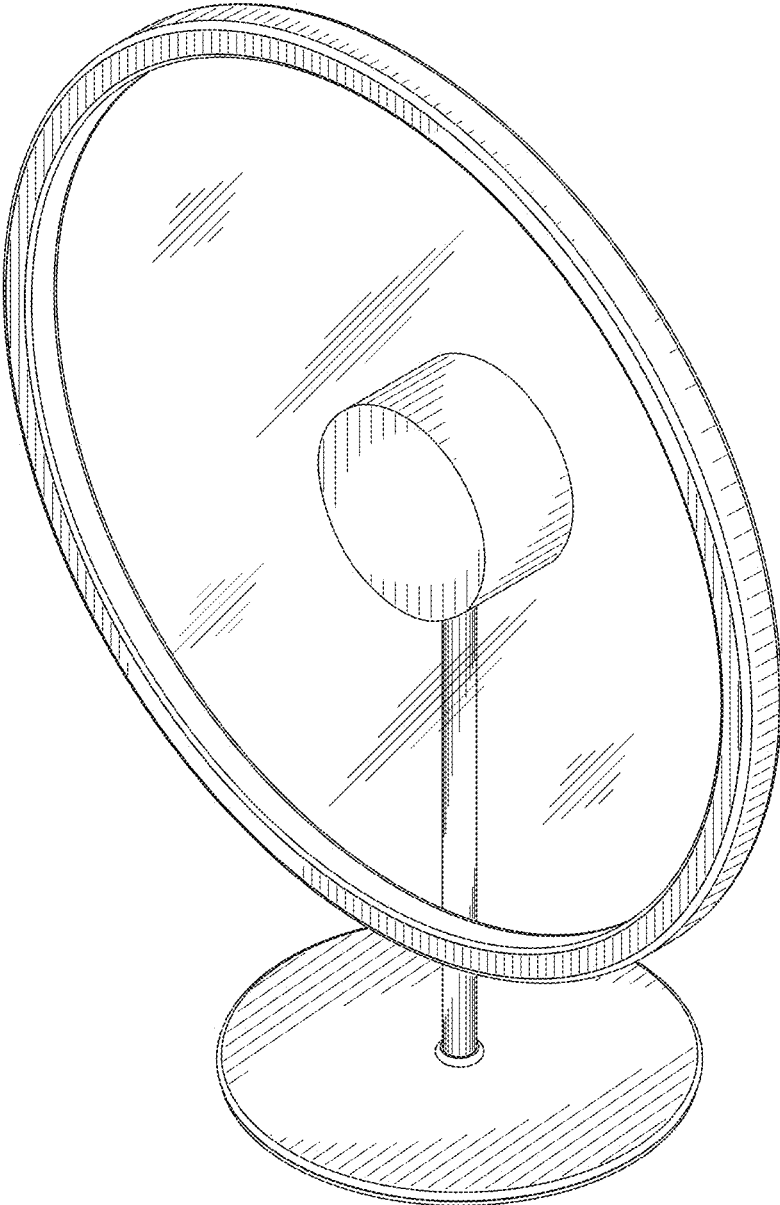


FIG. 1

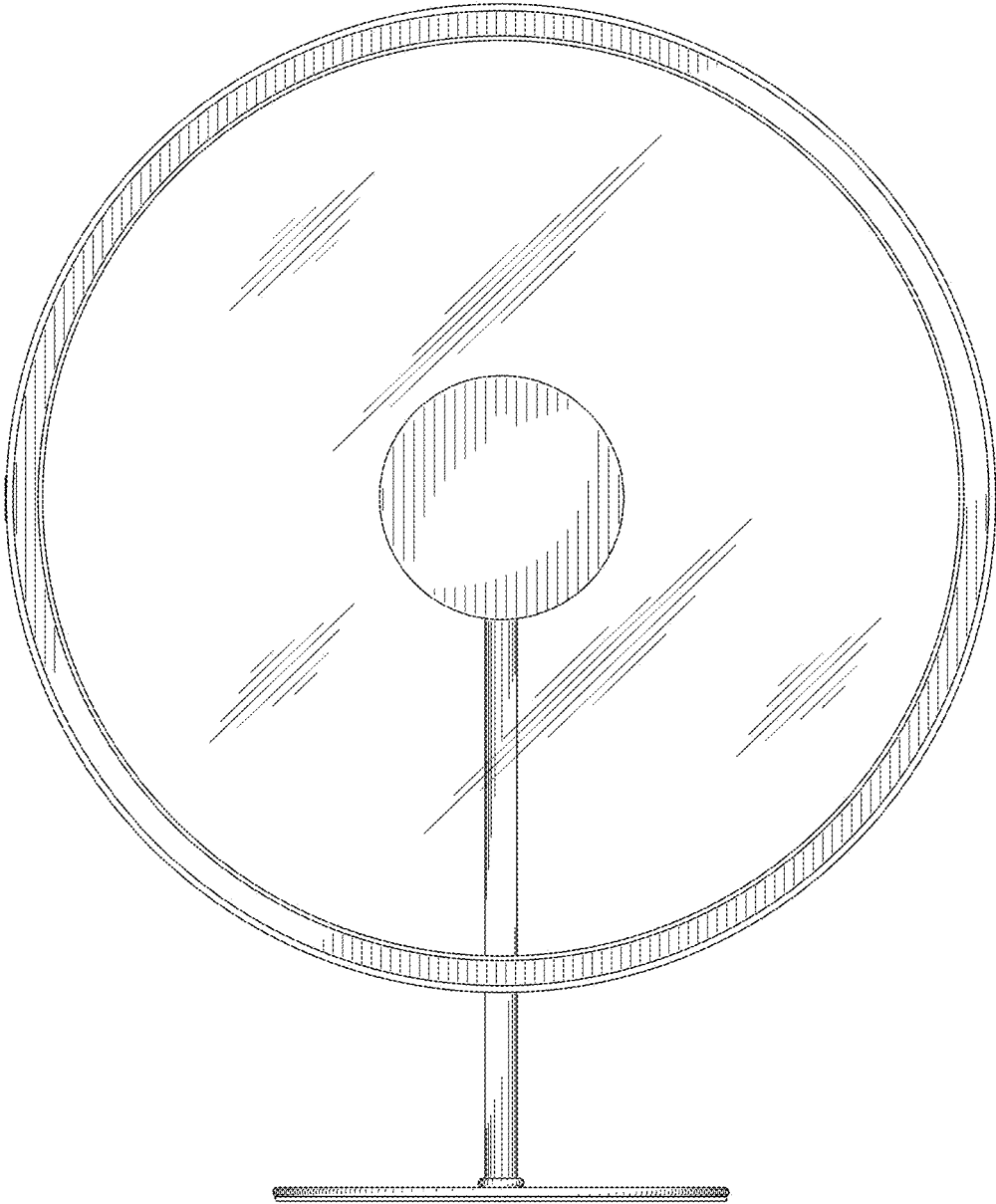


FIG. 2

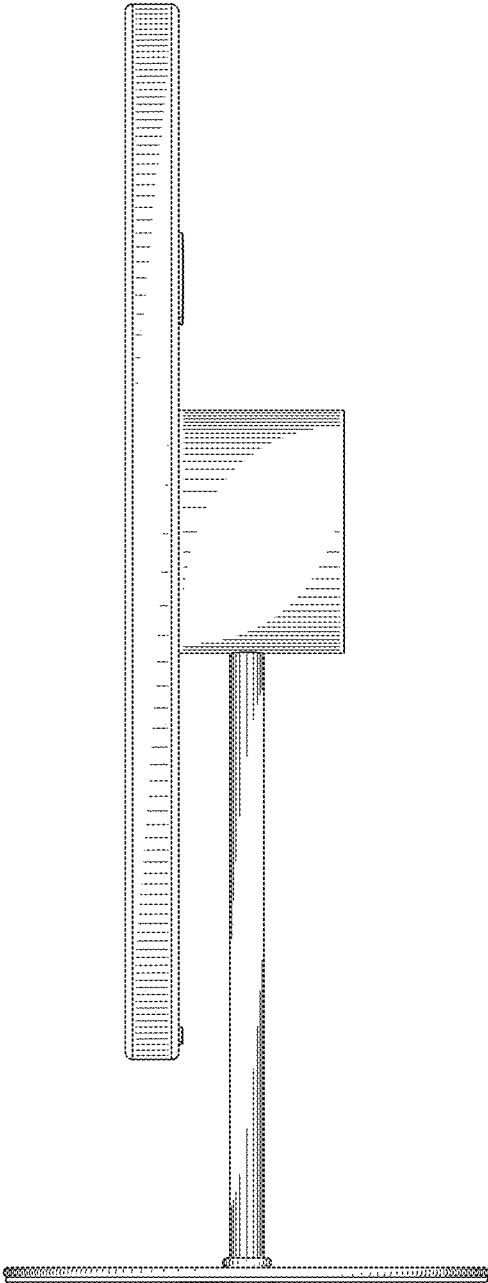


FIG. 3

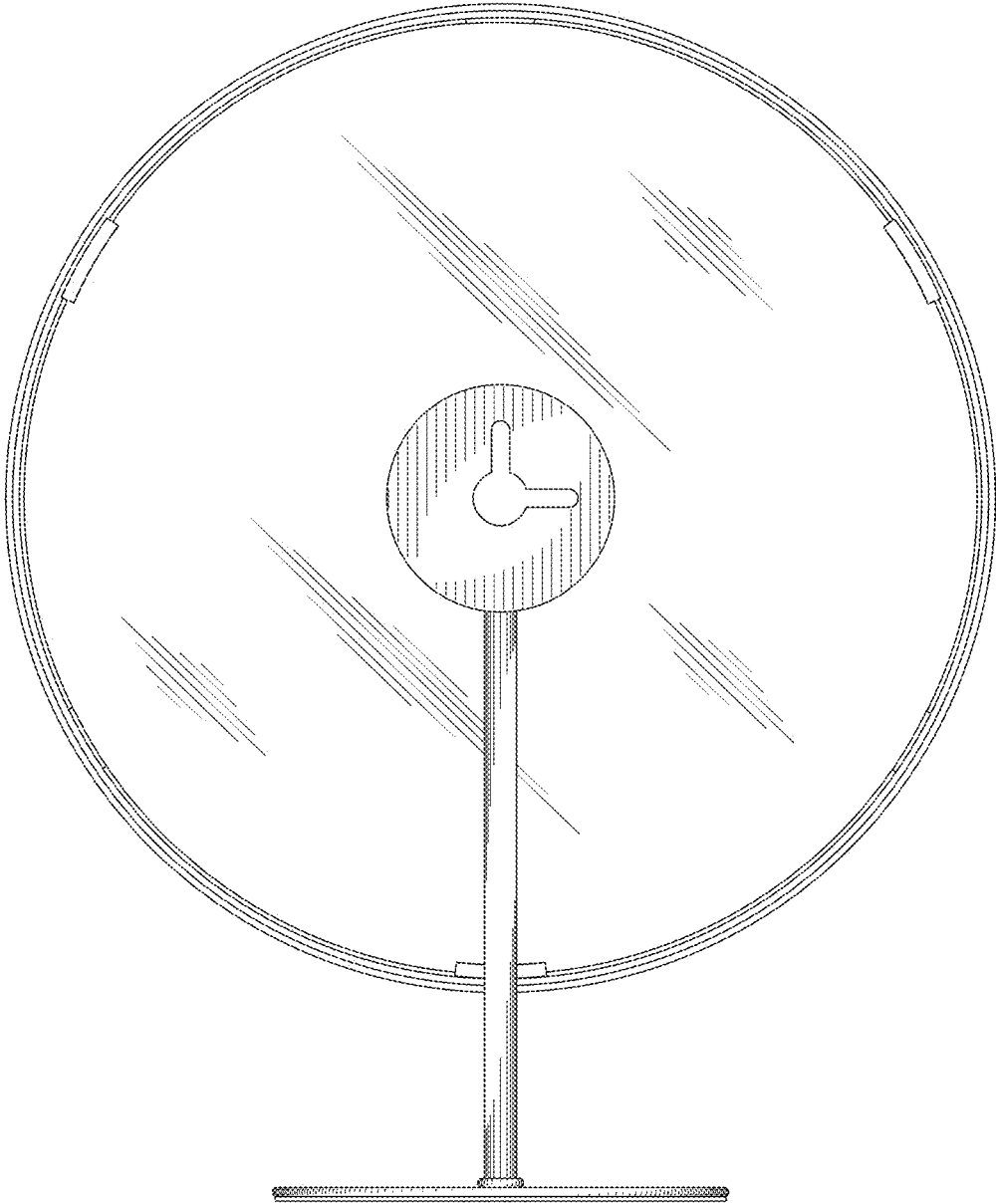


FIG. 4

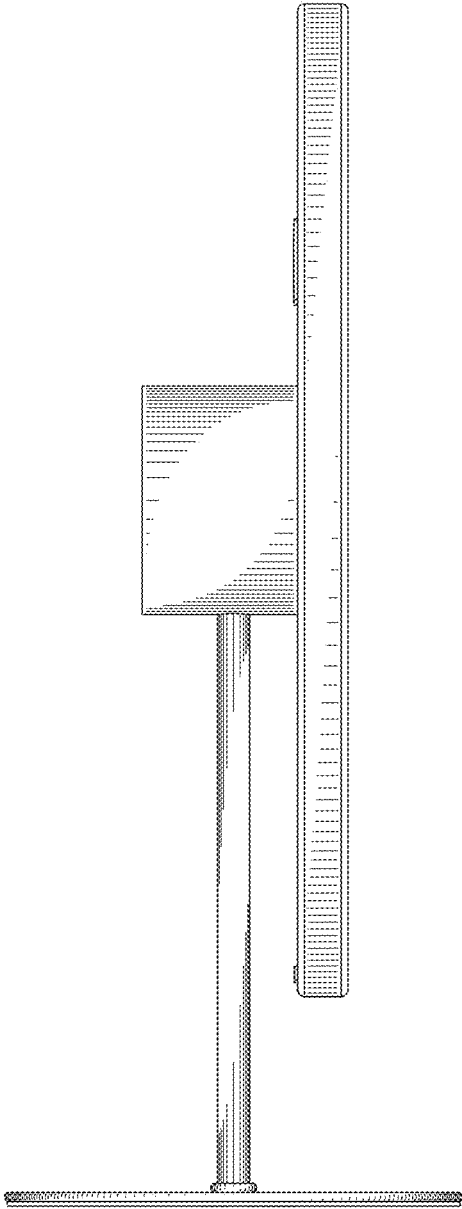


FIG. 5

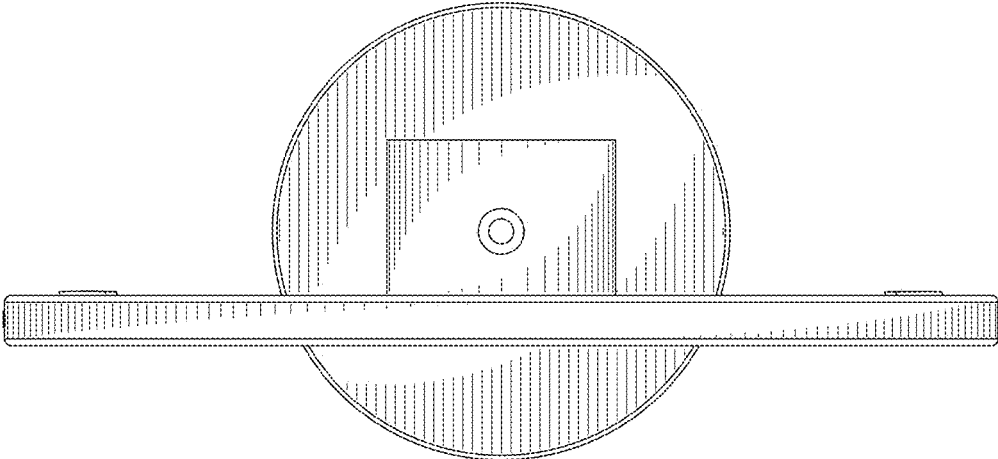


FIG. 6

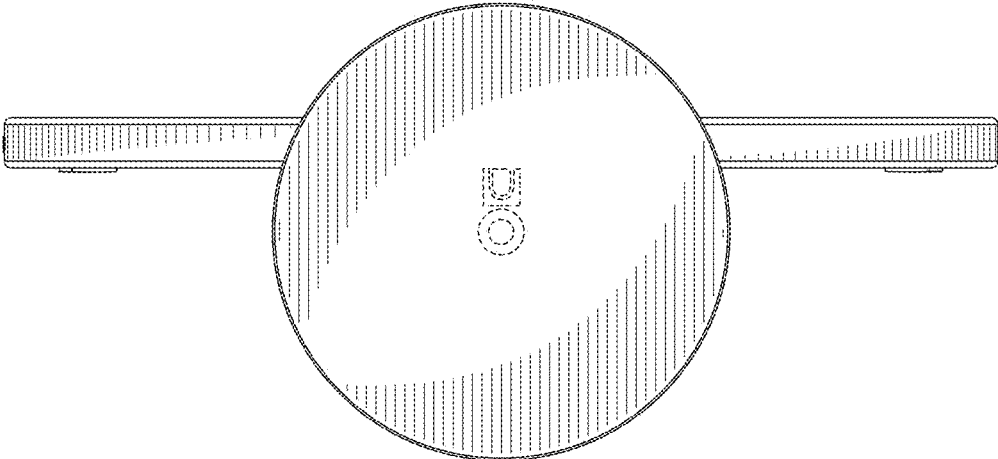


FIG. 7



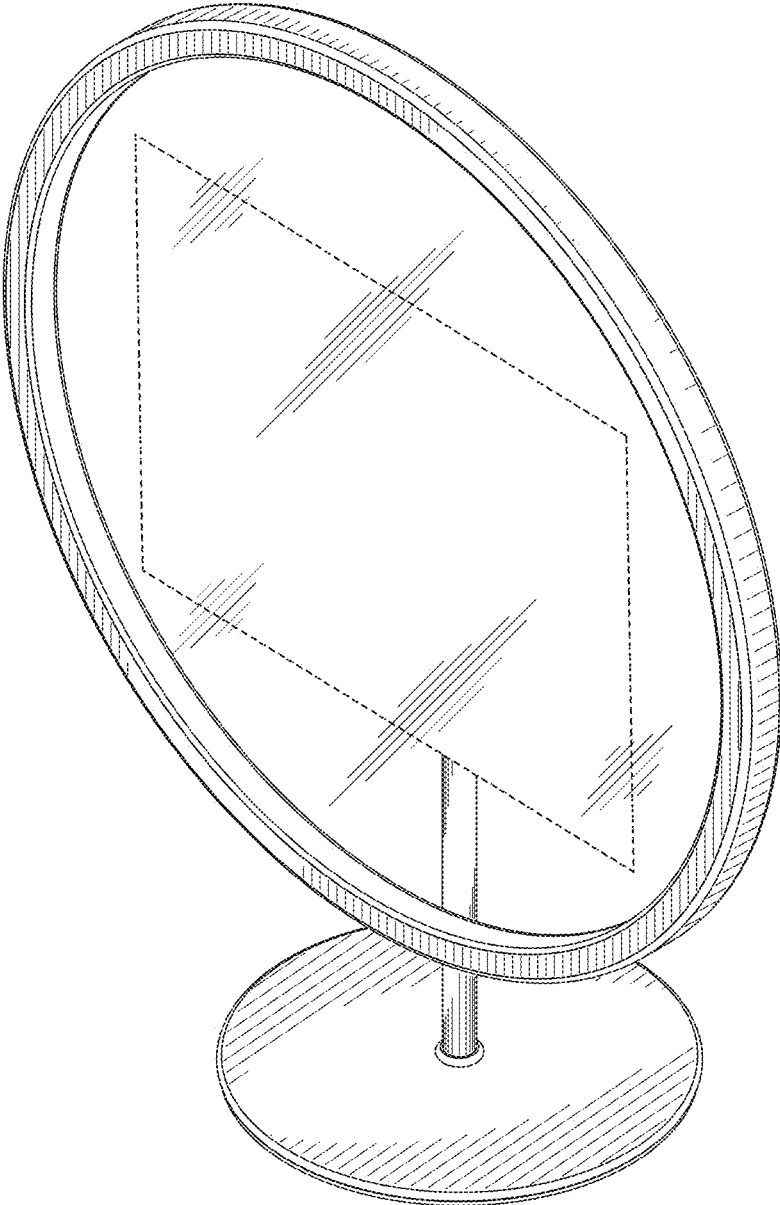


FIG. 8