



US00D925931S

(12) **United States Design Patent**  
**Park**

(10) **Patent No.:** **US D925,931 S**

(45) **Date of Patent:** **\*\* Jul. 27, 2021**

- (54) **PHOTO DISPLAY**
- (71) Applicant: **Umbra LLC**, Buffalo, NY (US)
- (72) Inventor: **Sung Wook Park**, Toronto (CA)
- (73) Assignee: **Umbra LLC**, Buffalo, NY (US)
- (\*\*) Term: **15 Years**
- (21) Appl. No.: **29/710,609**
- (22) Filed: **Oct. 24, 2019**

- D342,549 S \* 12/1993 Hofman ..... D20/41
- D346,286 S \* 4/1994 Caponigro ..... D17/99
- D354,087 S \* 1/1995 Dunlap ..... D12/193
- 5,453,915 A \* 9/1995 Bradley, III ..... A45D 42/10  
248/474
- D371,243 S \* 7/1996 Diaz ..... D6/300
- 5,566,030 A \* 10/1996 Yue ..... A45D 42/00  
248/467
- D487,271 S \* 3/2004 Korpai ..... D14/448

(Continued)

*Primary Examiner* — W. A. Teddy Falloway  
(74) *Attorney, Agent, or Firm* — Simpson & Simpson,  
PLLC; Robert P. Simpson

**Related U.S. Application Data**

- (63) Continuation-in-part of application No. 29/697,078, filed on Jul. 3, 2019, now abandoned.
- (51) **LOC (13) Cl.** ..... **06-07**
- (52) **U.S. Cl.**  
USPC ..... **D6/310**
- (58) **Field of Classification Search**  
USPC ..... D6/300-314; D26/56; D20/10, 21, 41  
CPC ..... A45D 42/10; A45D 33/008; A45D 42/00;  
F21V 33/004; F21V 33/00; B41J 2/01  
See application file for complete search history.

**References Cited**

**U.S. PATENT DOCUMENTS**

- 1,837,348 A \* 12/1931 Ware ..... A47G 1/142  
40/763
- D229,451 S \* 11/1973 Cregar ..... D20/2
- D243,378 S \* 2/1977 Tharp ..... D6/300
- 4,329,800 A \* 5/1982 Shuman ..... F16B 7/105  
40/606.14
- D291,682 S \* 9/1987 Stone ..... D12/187
- 4,726,132 A \* 2/1988 Ernest ..... G09F 15/0012  
40/607.1
- 4,777,750 A \* 10/1988 Garfinkle ..... G09F 1/12  
40/607.04
- D329,631 S \* 9/1992 Cameron ..... D12/187
- D329,949 S \* 10/1992 White ..... D6/300

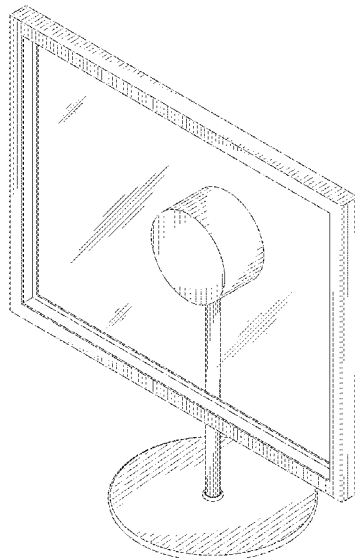
(57) **CLAIM**

The ornamental design for a photo display, as shown and described.

**DESCRIPTION**

FIG. 1 is a front perspective view of the photo display of the present invention;  
 FIG. 2 is a front elevational view of the photo display shown in FIG. 1;  
 FIG. 3 is a right side elevational view of the photo display shown in FIG. 1;  
 FIG. 4 is a back elevational view of the photo display shown in FIG. 1;  
 FIG. 5 is a left side elevational view of the photo display shown in FIG. 1;  
 FIG. 6 is a top plan view of the photo display shown in FIG. 1;  
 FIG. 7 is a bottom plan view of the photo display shown in FIG. 1; and,  
 FIG. 8 is a front perspective view of the photo display shown in FIG. 1.  
 The broken lines showing a photo representation illustrate environmental structure. The broken lines shown in FIG. 7 illustrate portions of the photo display. The broken lines form no part of the claimed design.

**1 Claim, 7 Drawing Sheets**



(56)

## References Cited

## U.S. PATENT DOCUMENTS

D487,272 S \* 3/2004 Korpai ..... D14/448  
D487,273 S \* 3/2004 Korpai ..... D14/448  
D487,465 S \* 3/2004 Korpai ..... D14/448  
D488,160 S \* 4/2004 Korpai ..... D14/448  
D488,161 S \* 4/2004 Korpai ..... D14/448  
D488,162 S \* 4/2004 Korpai ..... D14/448  
D492,079 S \* 6/2004 Feltman ..... D99/5  
D501,891 S \* 2/2005 Kaplan ..... D20/41  
D517,920 S \* 3/2006 Abadinsky ..... D9/522  
D517,921 S \* 3/2006 Abadinsky ..... D9/522  
D543,788 S \* 6/2007 Hong ..... D7/603  
D545,776 S \* 7/2007 Kwon ..... D14/126  
D598,053 S \* 8/2009 Sanchez ..... D14/159  
D653,041 S \* 1/2012 Henry ..... D6/300  
D704,938 S \* 5/2014 Mischel, Jr. .... D6/300  
D804,583 S \* 12/2017 Exley ..... D21/483  
D826,887 S \* 8/2018 Kymm ..... D14/126  
D854,343 S \* 7/2019 Altemimei ..... D6/300  
10,337,709 B1 \* 7/2019 Lo ..... A45D 42/16  
2002/0174582 A1 \* 11/2002 Garfinkle ..... G09F 15/0087  
40/607.1  
2007/0220794 A1 \* 9/2007 Pitcher ..... G09F 15/0018  
40/611.08  
2008/0178506 A1 \* 7/2008 Garfinkle ..... G09F 3/20  
40/658  
2011/0025922 A1 \* 2/2011 Toya ..... H04N 5/64  
348/731  
2018/0270410 A1 \* 9/2018 Lyle ..... H04N 5/2252

\* cited by examiner

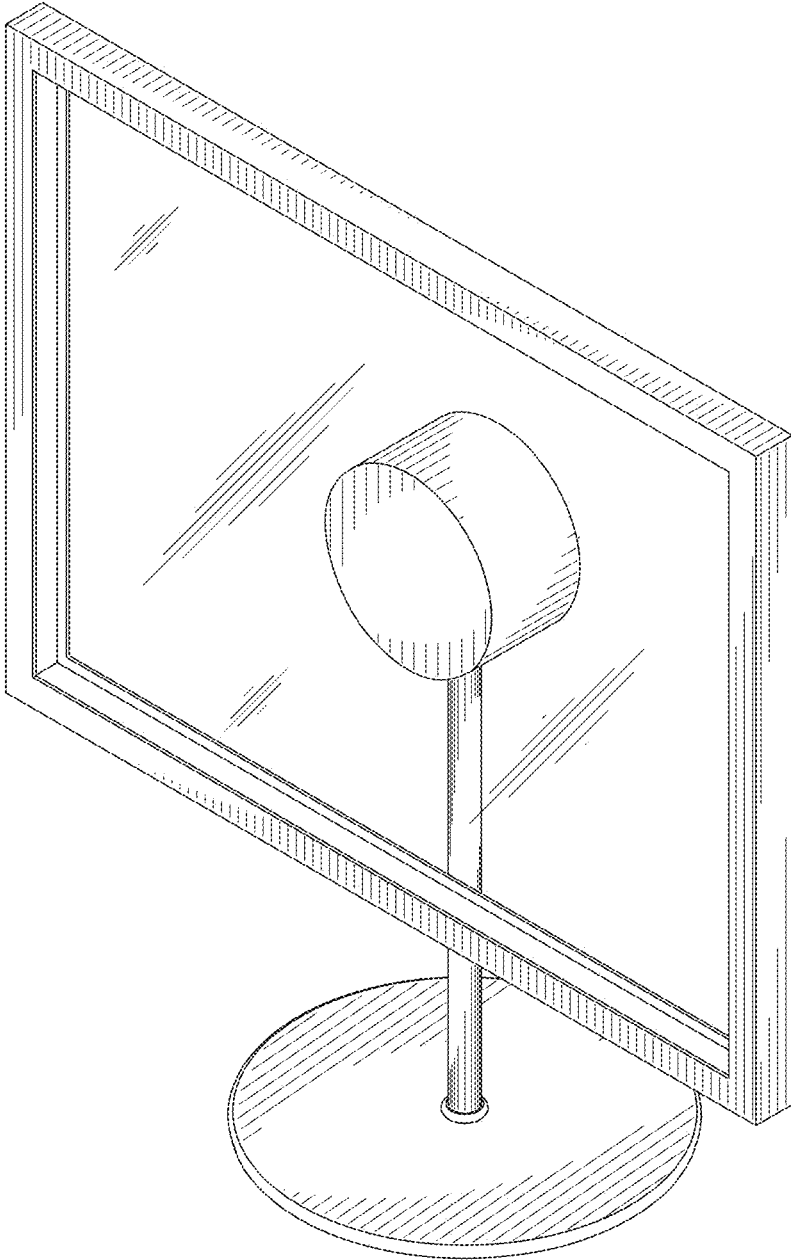


FIG. 1

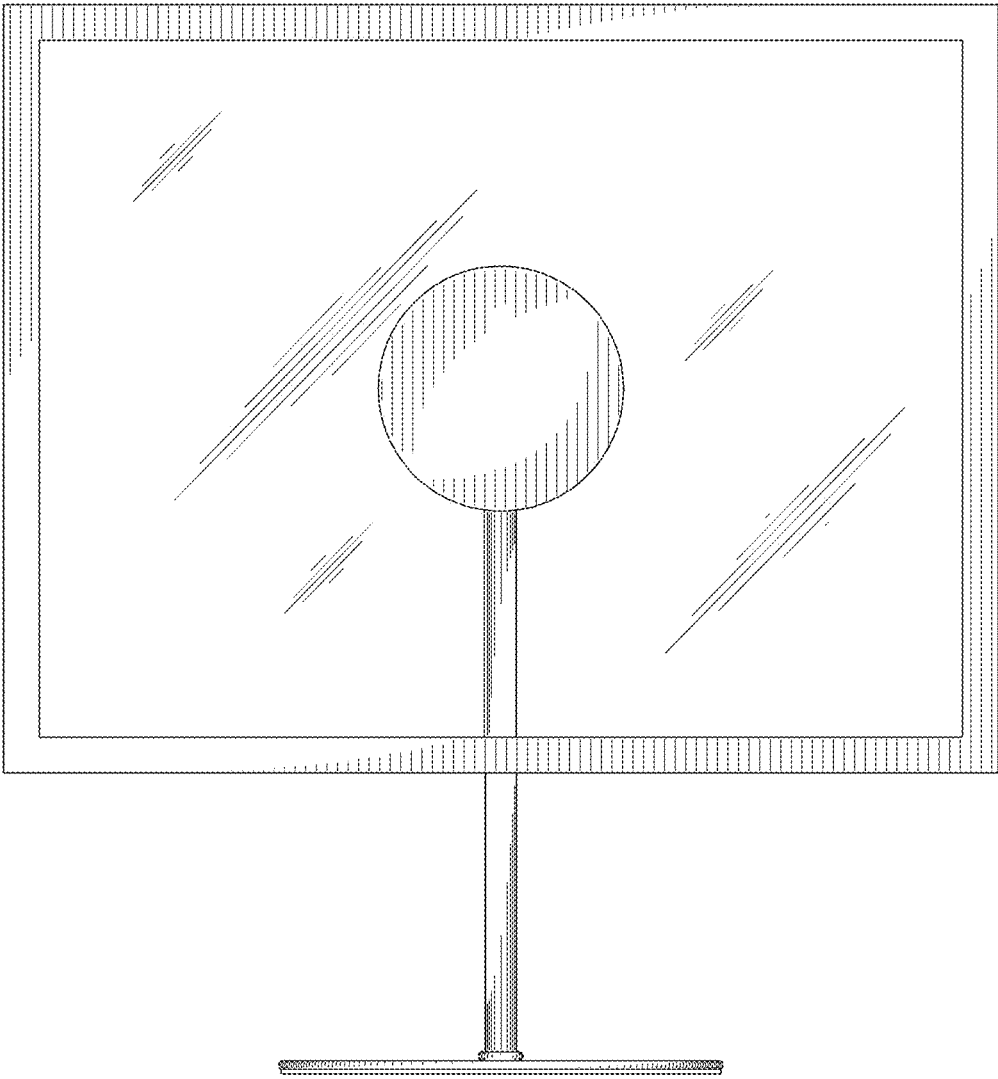


FIG. 2

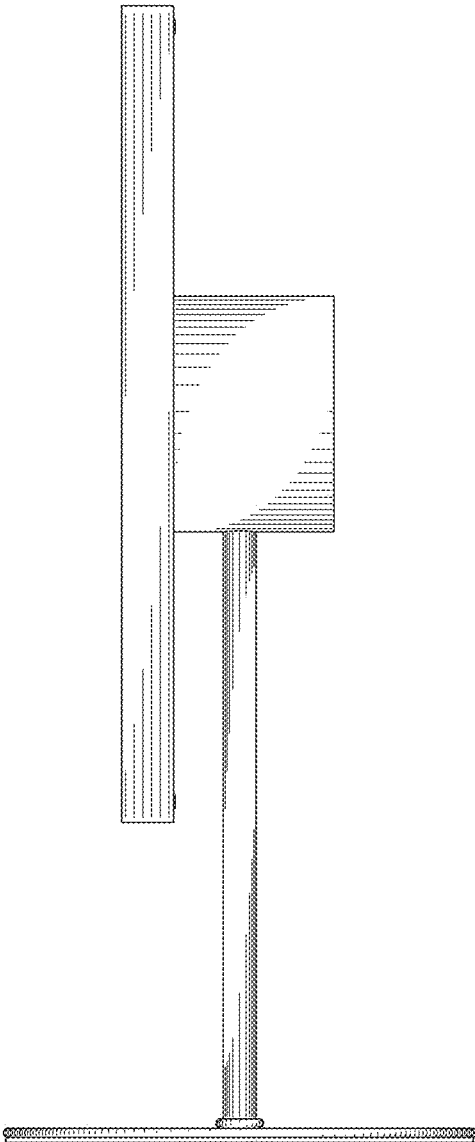


FIG. 3

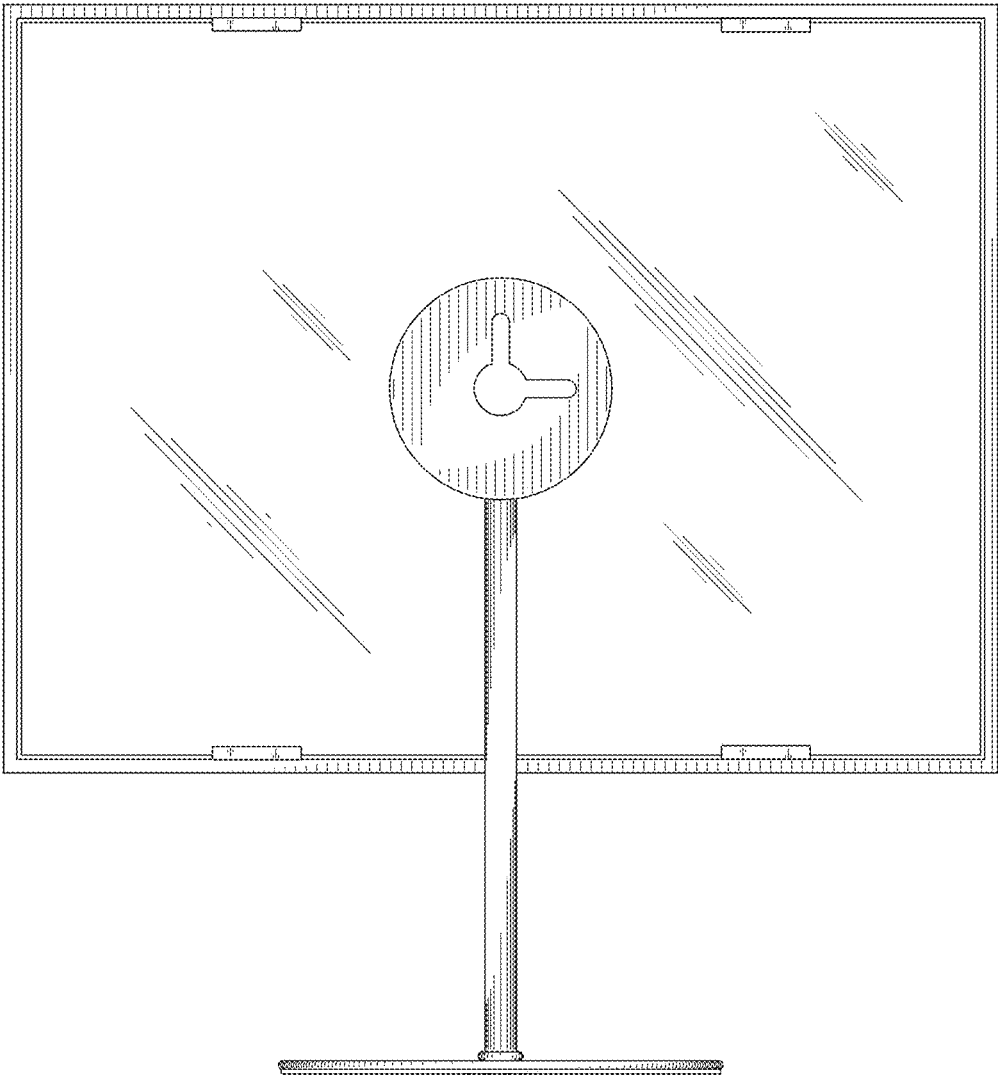


FIG. 4

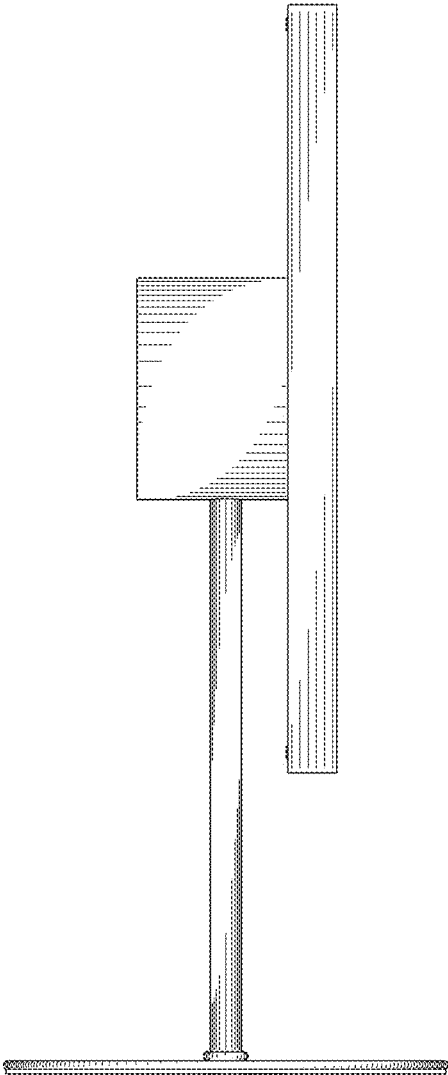


FIG. 5

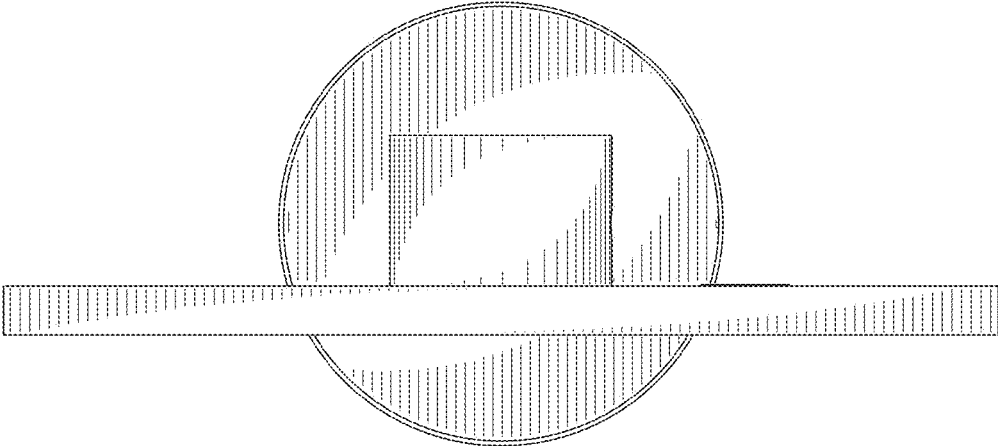


FIG. 6

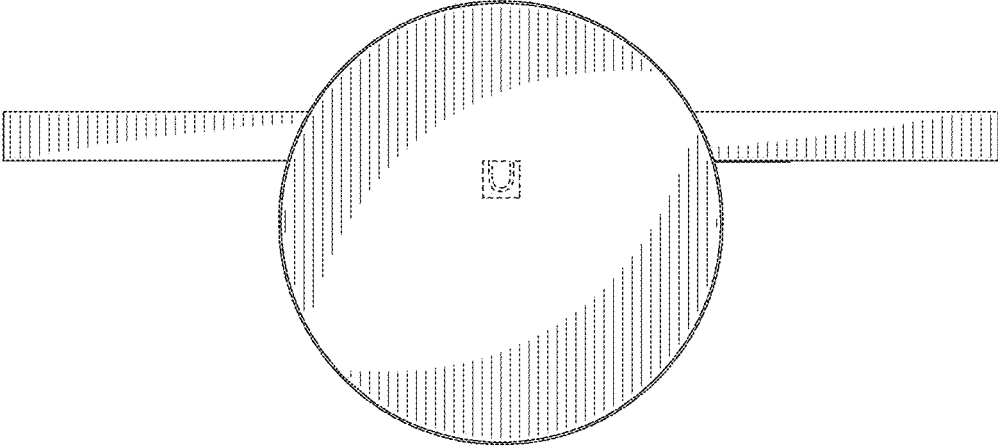


FIG. 7



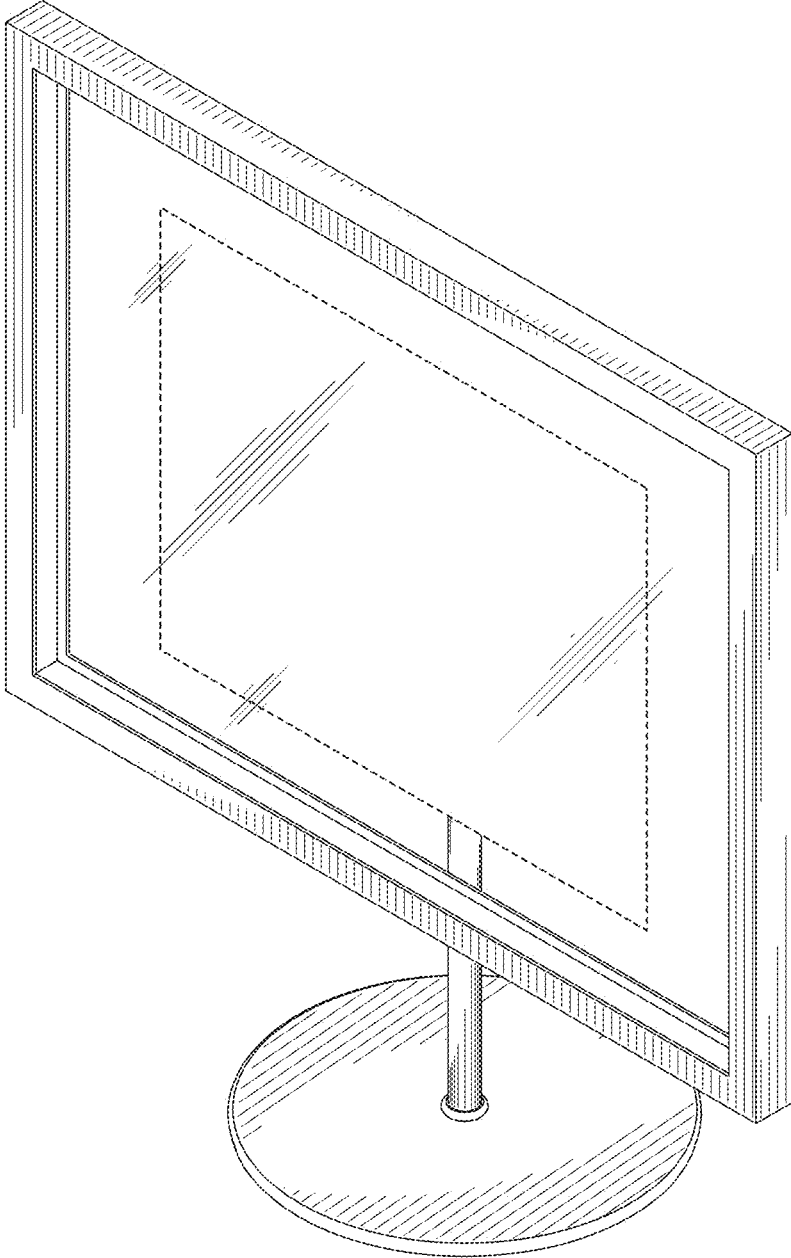


FIG. 8