



US00D925932S

(12) **United States Design Patent**
Park

(10) **Patent No.:** **US D925,932 S**

(45) **Date of Patent:** **** Jul. 27, 2021**

(54) **PHOTO DISPLAY**

(71) Applicant: **Umbra LLC**, Buffalo, NY (US)

(72) Inventor: **Sung Wook Park**, Toronto (CA)

(73) Assignee: **Umbra LLC**, Buffalo, NY (US)

(**) Term: **15 Years**

(21) Appl. No.: **29/710,611**

(22) Filed: **Oct. 24, 2019**

D342,549	S	*	12/1993	Hofman	D20/41
D346,286	S	*	4/1994	Caponigro	D17/99
D354,087	S	*	1/1995	Dunlap	D12/193
5,453,915	A	*	9/1995	Bradley, III	A45D 42/10
						248/474
D371,243	S	*	7/1996	Diaz	D6/300
5,566,030	A	*	10/1996	Yue	A45D 42/00
						248/467
D487,271	S	*	3/2004	Korpai	D14/448

(Continued)

Primary Examiner — W. A. Teddy Falloway

(74) *Attorney, Agent, or Firm* — Simpson & Simpson, PLLC; Robert Simpson

Related U.S. Application Data

(63) Continuation-in-part of application No. 29/697,072, filed on Jul. 3, 2019, now abandoned.

(51) **LOC (13) Cl.** **06-07**

(52) **U.S. Cl.**
USPC **D6/310**

(58) **Field of Classification Search**
USPC D6/300-314; D26/56; D20/10, 21, 41
CPC A45D 42/10; A45D 33/008; A45D 42/00;
F21V 33/004; F21V 33/00; B41J 2/01
See application file for complete search history.

References Cited

U.S. PATENT DOCUMENTS

1,837,348	A	*	12/1931	Ware	A47G 1/142
						40/763
D229,451	S	*	11/1973	Cregar	D20/2
D243,378	S	*	2/1977	Tharp	D6/300
4,329,800	A	*	5/1982	Shuman	F16B 7/105
						40/606.14
D291,682	S	*	9/1987	Stone	D12/187
4,726,132	A	*	2/1988	Ernest	G09F 15/0012
						40/607.1
4,777,750	A	*	10/1988	Garfinkle	G09F 1/12
						40/607.04
D329,631	S	*	9/1992	Cameron	D12/187
D329,949	S	*	10/1992	White	D6/300

(57) **CLAIM**

The ornamental design for a photo display, as shown and described.

DESCRIPTION

FIG. 1 is a front perspective view of the photo display of the present invention;

FIG. 2 is a front elevational view of the photo display shown in FIG. 1;

FIG. 3 is a right side elevational view of the photo display shown in FIG. 1;

FIG. 4 is a back elevational view of the photo display shown in FIG. 1;

FIG. 5 is a left side elevational view of the photo display shown in FIG. 1;

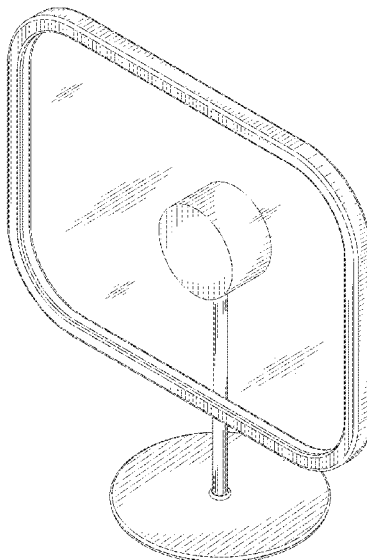
FIG. 6 is a top plan view of the photo display shown in FIG. 1;

FIG. 7 is a bottom plan view of the photo display shown in FIG. 1; and,

FIG. 8 is a front perspective view of the photo display shown in FIG. 1.

The broken lines showing a photo representation illustrate environmental structure. The broken lines shown in FIG. 7 illustrate portions of the photo display. The broken lines form no part of the claimed design.

1 Claim, 7 Drawing Sheets



(56)

References Cited

U.S. PATENT DOCUMENTS

D487,272 S * 3/2004 Korpai D14/448
D487,273 S * 3/2004 Korpai D14/448
D487,465 S * 3/2004 Korpai D14/448
D488,160 S * 4/2004 Korpai D14/448
D488,161 S * 4/2004 Korpai D14/448
D488,162 S * 4/2004 Korpai D14/448
D492,079 S * 6/2004 Feltman D99/5
D501,891 S * 2/2005 Kaplan D20/41
D517,920 S * 3/2006 Abadinsky D9/522
D517,921 S * 3/2006 Abadinsky D9/522
D543,788 S * 6/2007 Hong D7/603
D545,776 S * 7/2007 Kwon D14/126
D598,053 S * 8/2009 Sanchez D14/159
D653,041 S * 1/2012 Henry D6/300
D704,938 S * 5/2014 Mischel, Jr. D6/300
D804,583 S * 12/2017 Exley D21/483
D826,887 S * 8/2018 Kymm D14/126
D854,343 S * 7/2019 Altemimei D6/300
10,337,709 B1 * 7/2019 Lo A45D 42/16
2002/0174582 A1 * 11/2002 Garfinkle G09F 15/0087
40/607.1
2007/0220794 A1 * 9/2007 Pitcher G09F 15/0018
40/611.08
2008/0178506 A1 * 7/2008 Garfinkle G09F 3/20
40/658
2011/0025922 A1 * 2/2011 Toya H04N 5/64
348/731
2018/0270410 A1 * 9/2018 Lyle H04N 5/2252

* cited by examiner

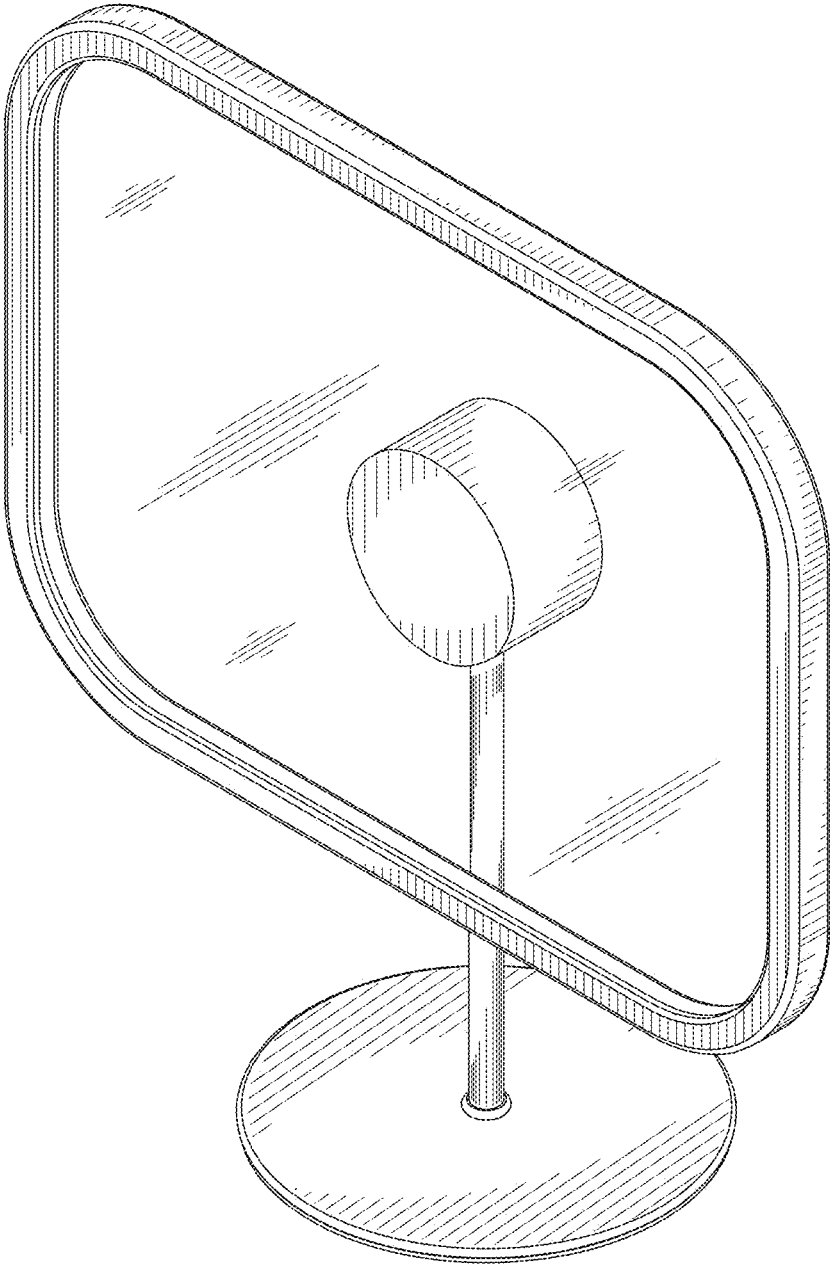


FIG. 1

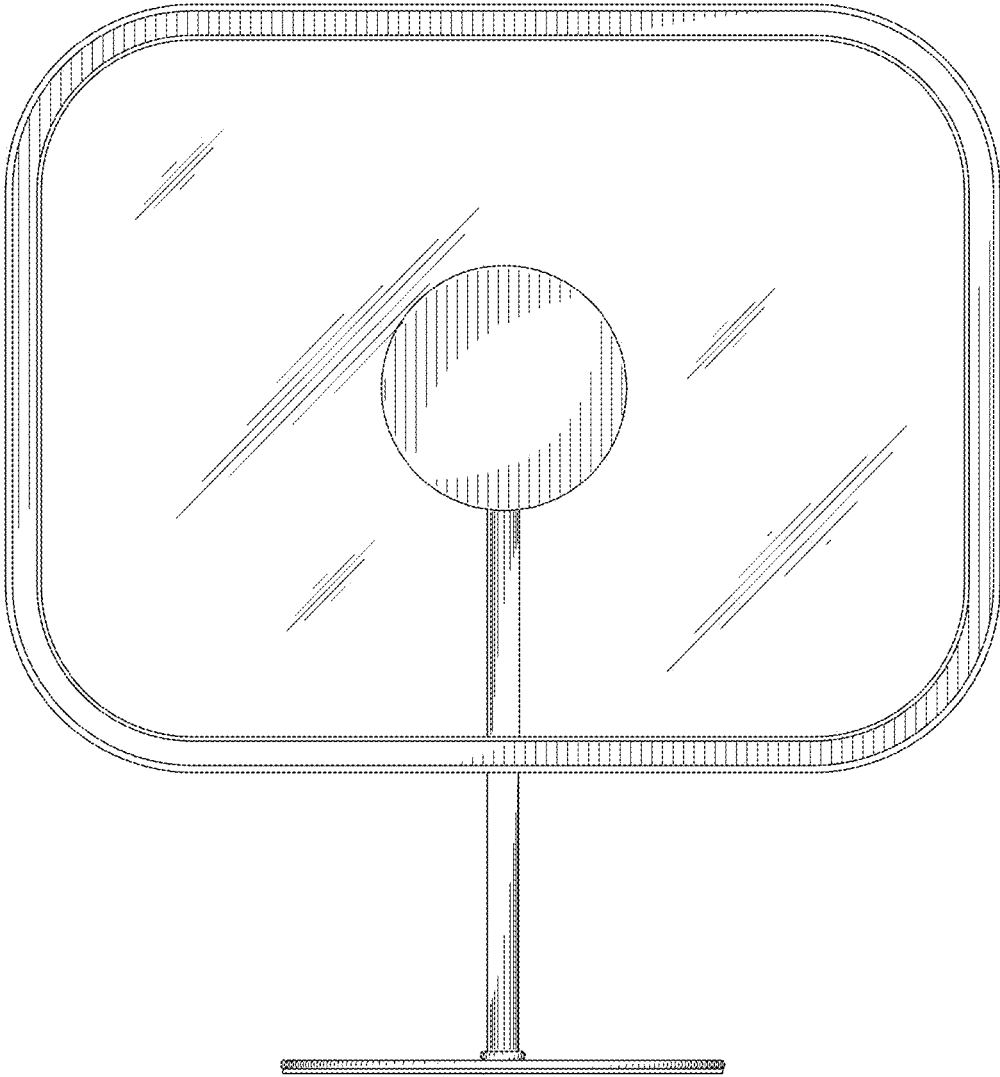


FIG. 2

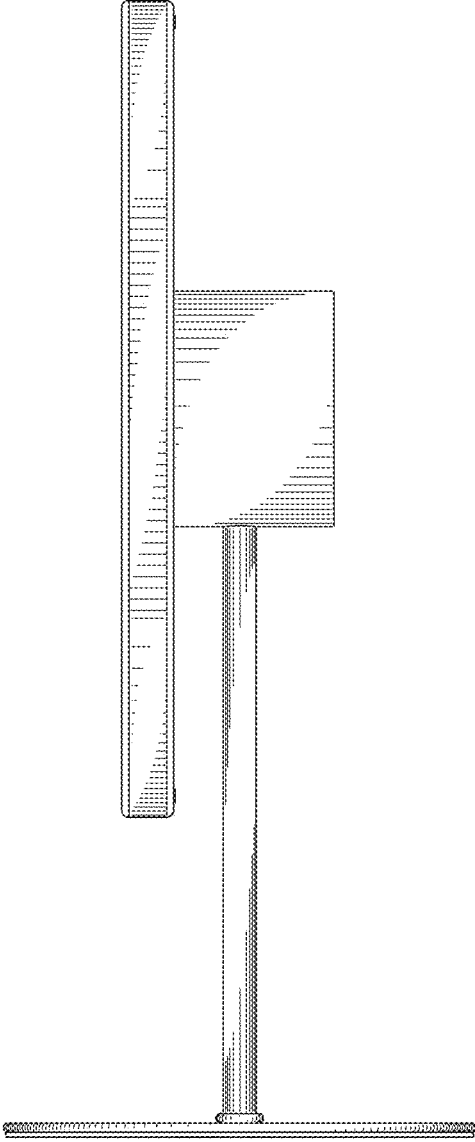


FIG. 3

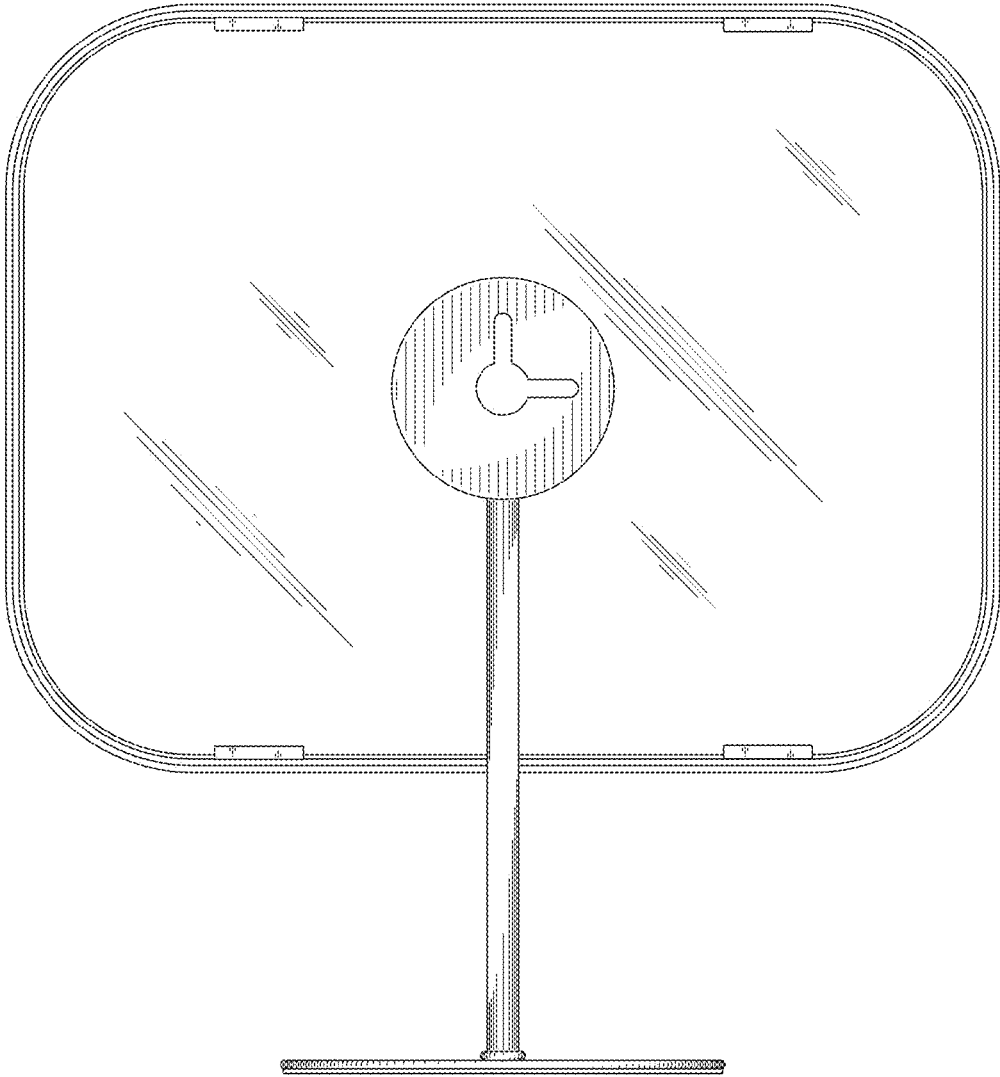


FIG. 4

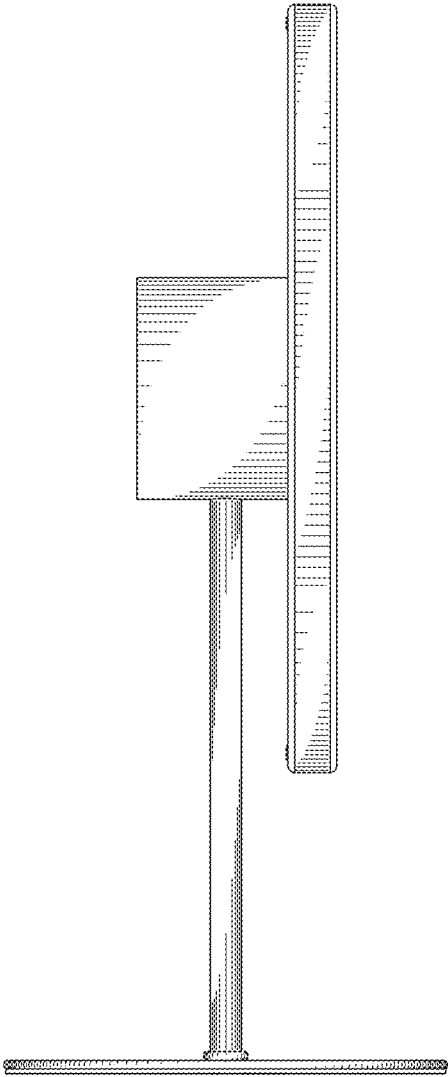


FIG. 5

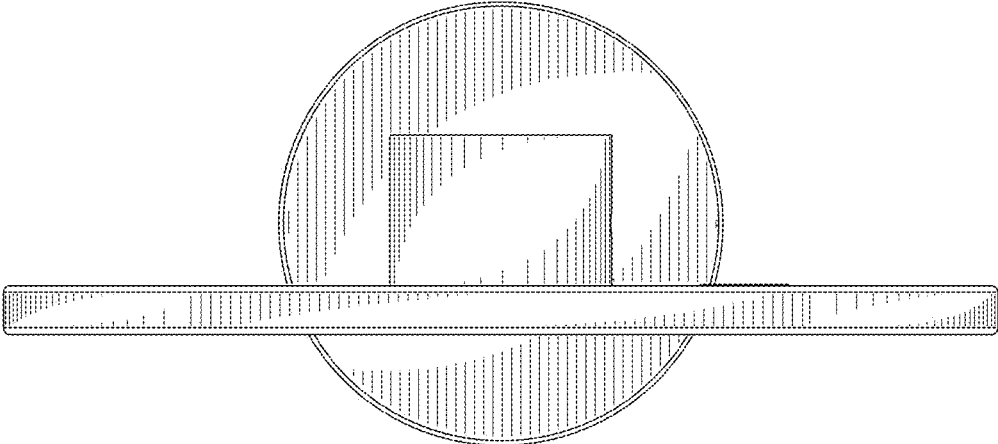


FIG. 6

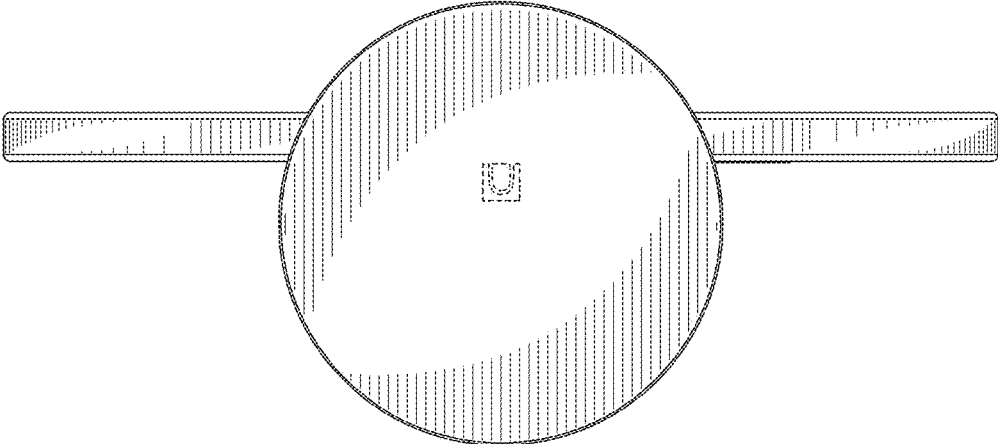


FIG. 7

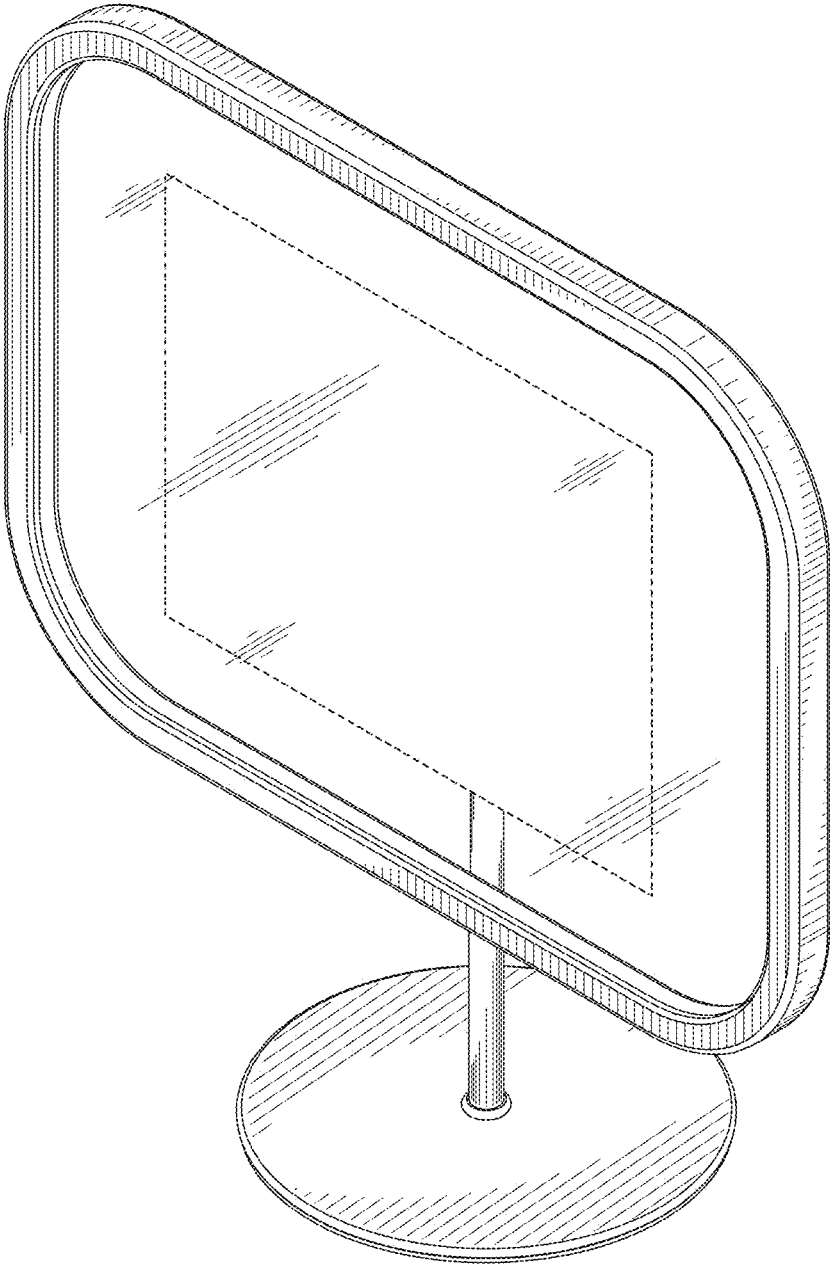


FIG. 8