



(12) **United States Design Patent**  
**Park**

(10) **Patent No.:** **US D939,844 S**  
(45) **Date of Patent:** **\*\* Jan. 4, 2022**

- (54) **DESK PHOTO DISPLAY DEVICE**
- (71) Applicant: **Umbra LLC**, Buffalo, NY (US)
- (72) Inventor: **Sung Wook Park**, Toronto (CA)
- (73) Assignee: **Umbra LLC**, Buffalo, NY (US)
- (\*\*) Term: **15 Years**
- (21) Appl. No.: **29/738,433**

**FOREIGN PATENT DOCUMENTS**

CN 306200588 \* 7/2020

**OTHER PUBLICATIONS**

Woody Picture Frame [online], [site visited Oct. 20, 2021]. Available from internet, URL: <<https://www.umbra.com/collections/picture-frames/products/woody-desk-photo-frame?variant=39371438915720>> (Year: 2021).\*

Umbra 1015611-048 Frame [online], [site visited Oct. 20, 2021]. Available from internet, URL: <[https://www.amazon.ca/Umbra-1015611-048-Frame-Black-Walnut/dp/B08DL94RDM/ref=sr\\_l\\_1?dchild=1&keywords=B08DL94RDM&qid=1634756289&sr=8-1](https://www.amazon.ca/Umbra-1015611-048-Frame-Black-Walnut/dp/B08DL94RDM/ref=sr_l_1?dchild=1&keywords=B08DL94RDM&qid=1634756289&sr=8-1)> (Year: 2020).\*

- (22) Filed: **Jun. 17, 2020**
- (51) **LOC (13) Cl.** ..... **06-07**
- (52) **U.S. Cl.**  
USPC ..... **D6/310**
- (58) **Field of Classification Search**  
USPC ..... D6/300, 301, 302, 303, 304, 307, 308,  
D6/309, 310, 311, 312, 313, 314;  
D10/15, 21, 24; D14/336, 341, 371, 372,  
D14/374, 381, 382, 448, 450; D20/10,  
D20/27  
CPC ..... A47G 1/06; A47G 1/0605; A47G 1/0616;  
A47G 1/0638; A47G 1/08; A47G 1/14;  
A47G 1/142; A47G 1/16; A47G 1/1613;  
A47G 2001/0688; A47G 2001/0694;  
A47G 2001/148  
See application file for complete search history.

\* cited by examiner

*Primary Examiner* — Cynthia Ramirez  
*Assistant Examiner* — Xavier Marti-Santos  
 (74) *Attorney, Agent, or Firm* — Simpson & Simpson, PLLC

(57) **CLAIM**

The ornamental design for a desk photo display device, as shown and described.

**DESCRIPTION**

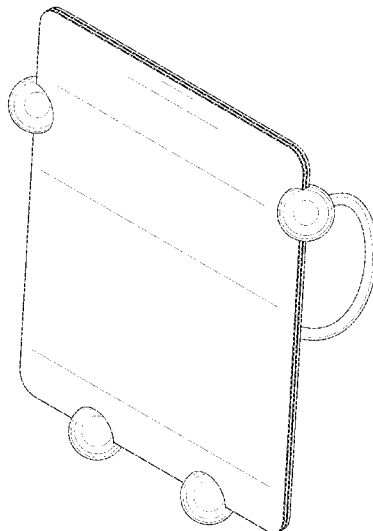
FIG. 1 is a front perspective view of the desk photo display device of the present invention;  
 FIG. 2 is a front elevational view of the desk photo display device of the invention shown in FIG. 1;  
 FIG. 3 is a rear elevational view of the invention shown in FIG. 1;  
 FIG. 4 is a right side elevational view of the invention shown in FIG. 1;  
 FIG. 5 is a left side elevational view of the invention shown in FIG. 1;  
 FIG. 6 is a top plan view of the invention shown in FIG. 1; and,  
 FIG. 7 is a bottom plan view of the invention shown in FIG. 1.

(56) **References Cited**

**U.S. PATENT DOCUMENTS**

651,129	A *	6/1900	Becker	.....	A47G 1/16 248/470
D394,752	S *	6/1998	Tsui	.....	D6/300
D474,617	S *	5/2003	Swartz	.....	D6/310
D602,263	S *	10/2009	Vincent	.....	D6/305
D651,209	S *	12/2011	Chiu	.....	D14/371
D661,497	S *	6/2012	Chiu	.....	D6/303
D829,449	S *	10/2018	Orsi	.....	D6/300
D846,891	S *	4/2019	Doherty	.....	D6/310
D882,281	S *	4/2020	Park	.....	D6/310

**1 Claim, 7 Drawing Sheets**



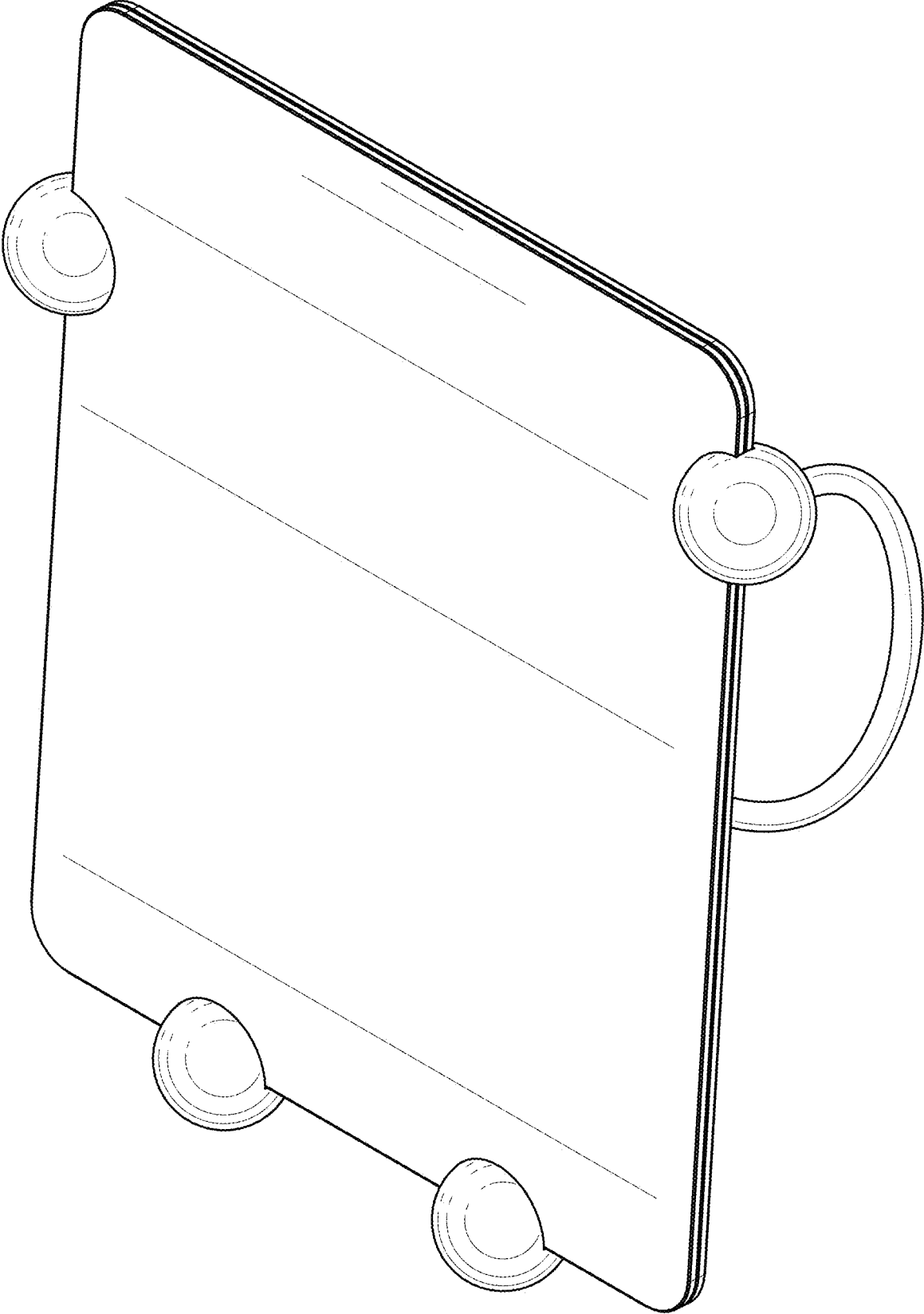


FIG. 1

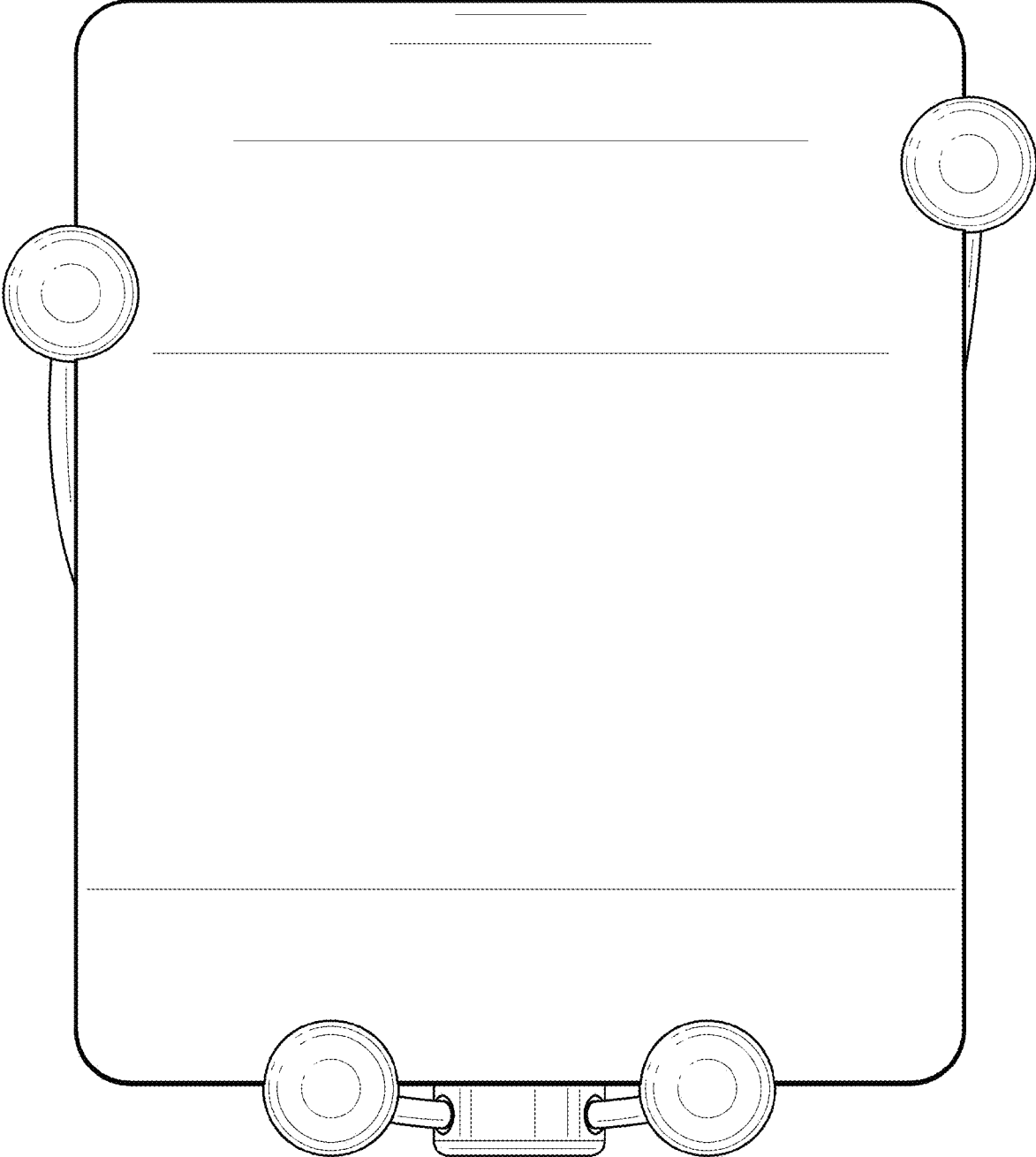


FIG. 2

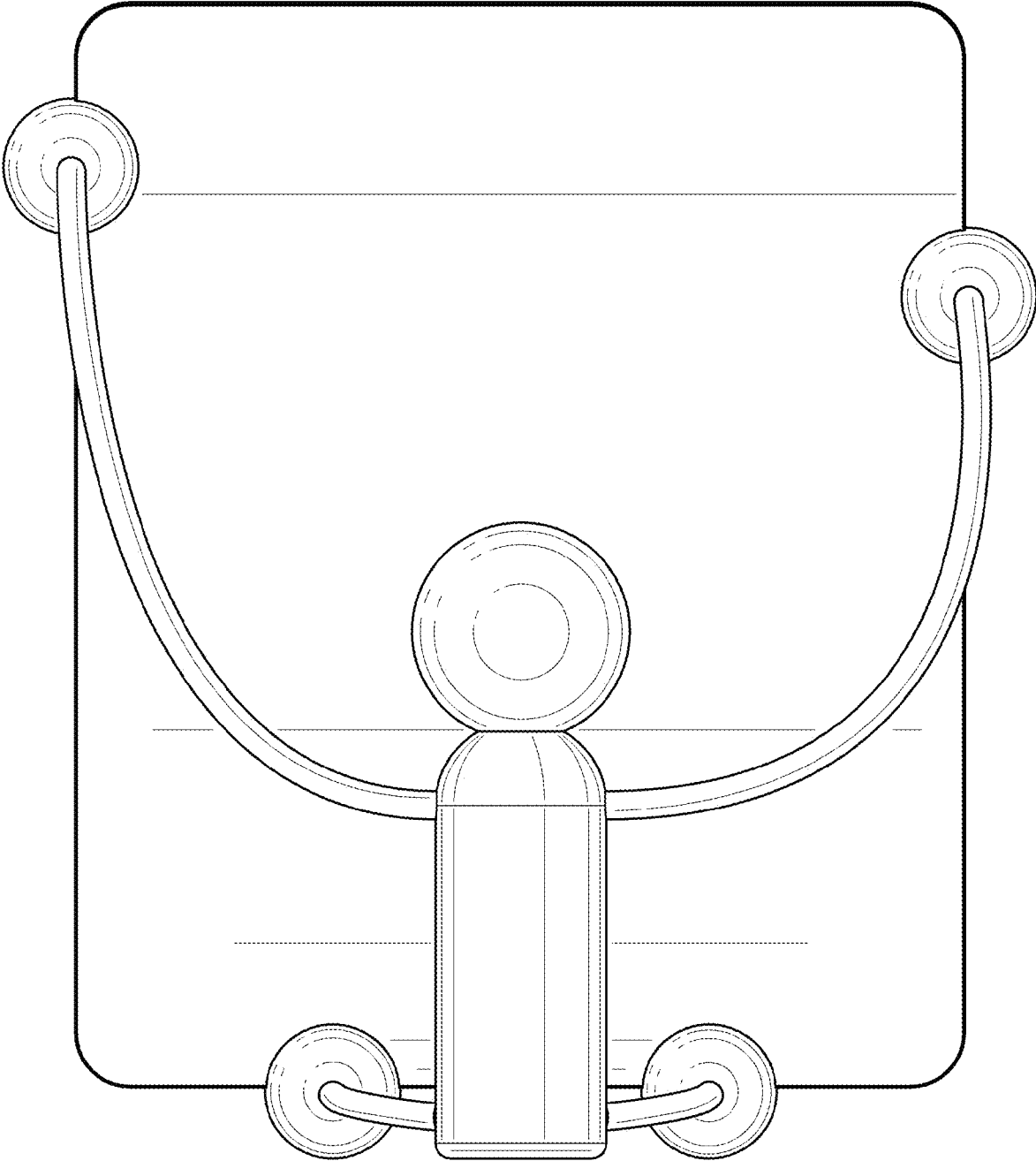


FIG. 3

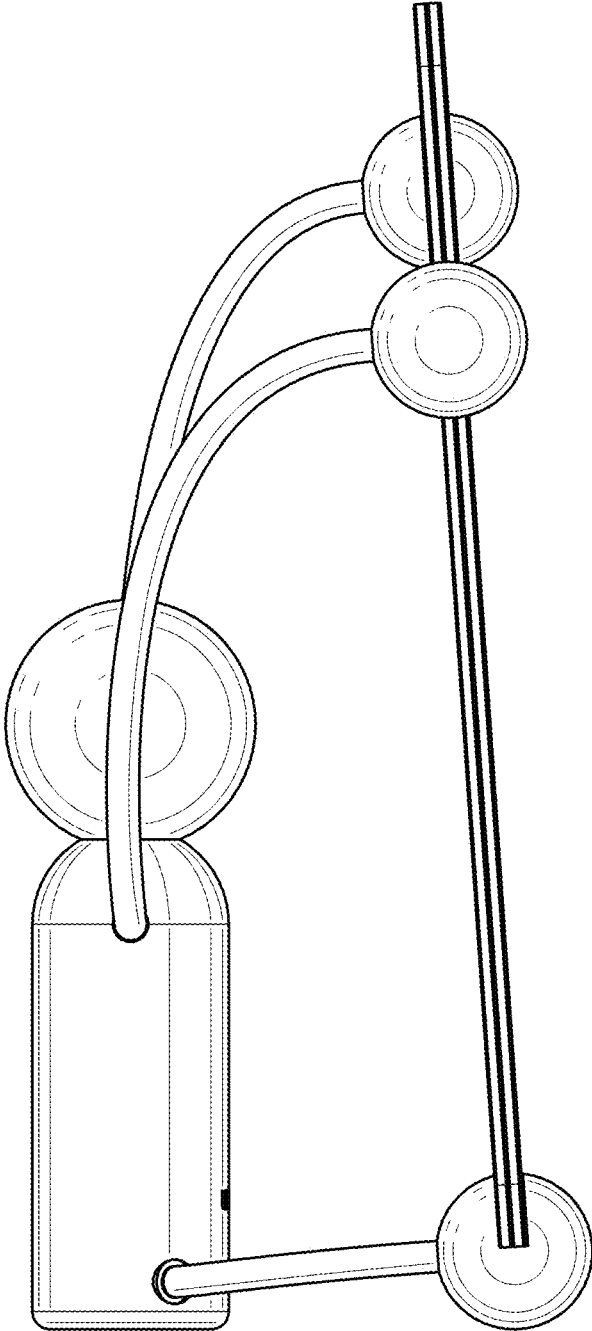


FIG. 4

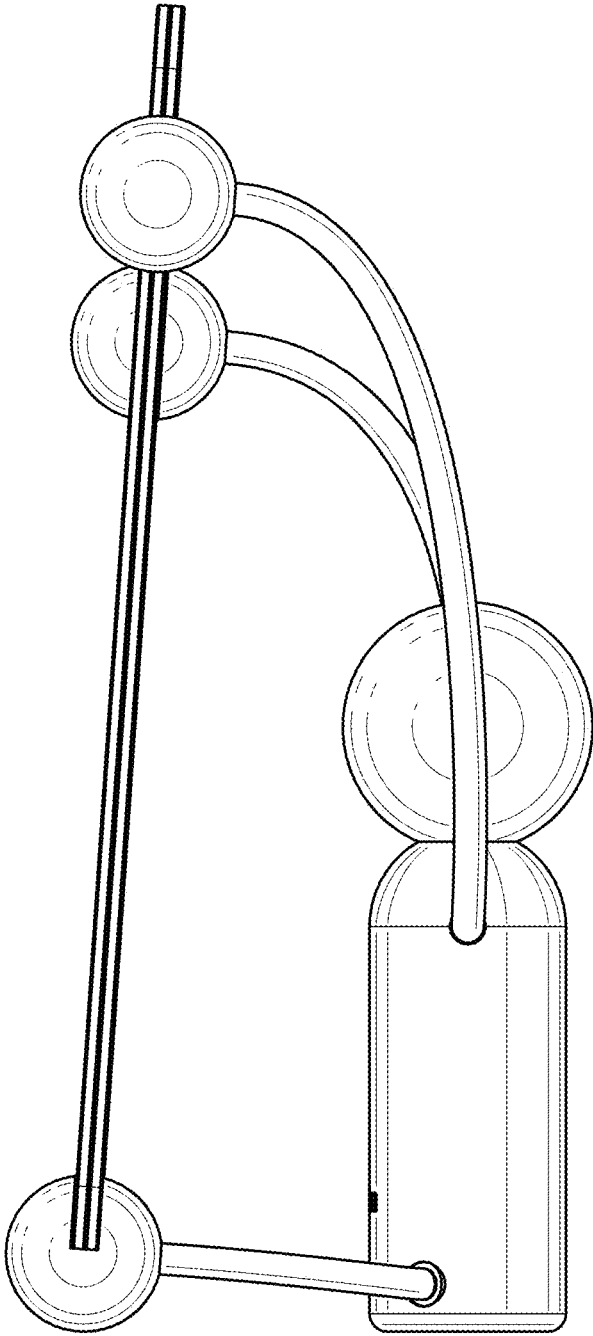


FIG. 5

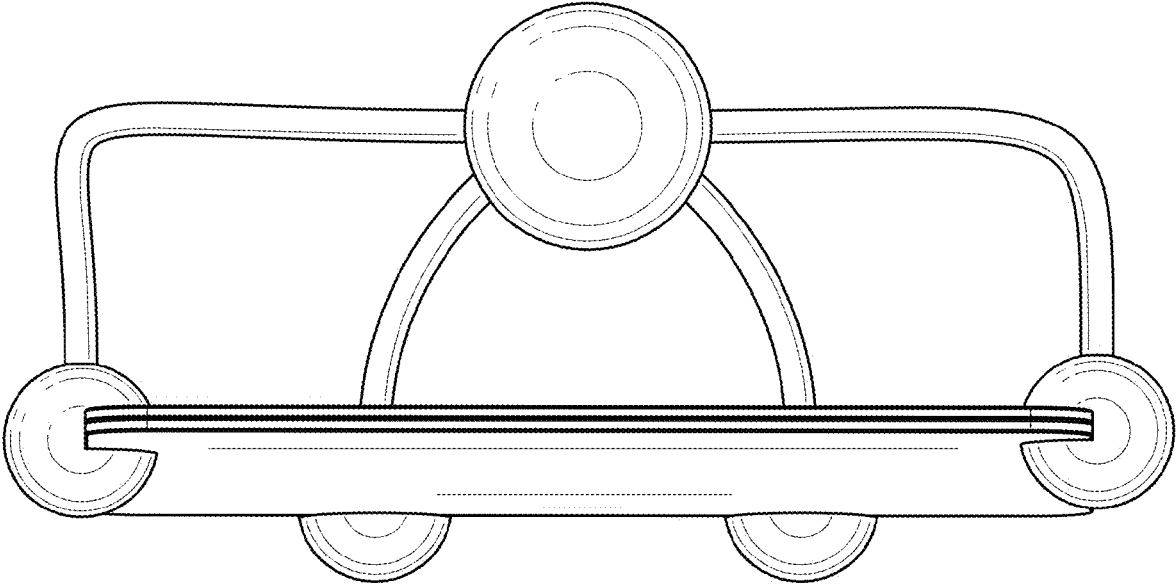


FIG. 6

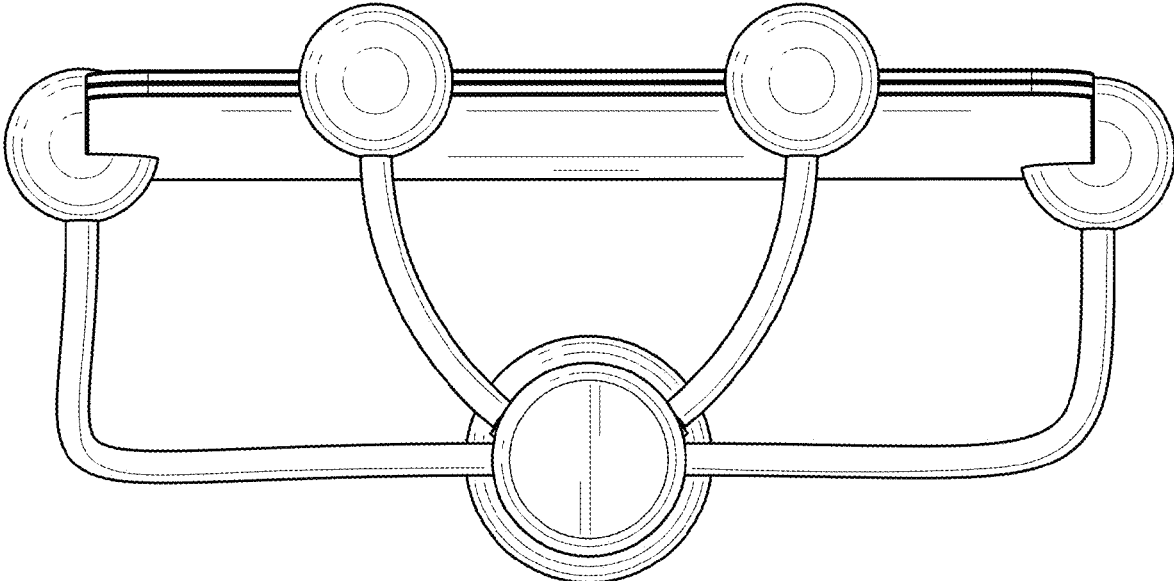


FIG. 7