

(12) **United States Design Patent** (10) **Patent No.:** **US D962,597 S**  
**Kurek** (45) **Date of Patent:** **\*\* Sep. 6, 2022**

(54) **DRIP CATCHER CUFF**

(71) Applicant: **Bar-K Products LLC**, Derby, NY (US)  
 (72) Inventor: **Victoria Ann Kurek**, Derby, NY (US)  
 (73) Assignee: **Bar-K Products LLC**, Derby, NY (US)  
 (\*\*\*) Term: **15 Years**  
 (21) Appl. No.: **29/749,392**

(22) Filed: **Sep. 4, 2020**  
 (51) **LOC (13) Cl.** ..... **02-02**  
 (52) **U.S. Cl.**  
 USPC ..... **D2/858**  
 (58) **Field of Classification Search**  
 USPC ..... D2/861, 858, 860; D28/10, 20  
 CPC ..... A45D 44/08; A41D 13/08; A41D 13/088  
 See application file for complete search history.

(56) **References Cited**

U.S. PATENT DOCUMENTS

1,062,497	A *	5/1913	Parkhurst	.....	A45D 44/08	2/50
1,261,575	A *	4/1918	McLeod	.....	A45D 44/08	2/50
1,302,038	A *	4/1919	Hayes	.....	A41D 13/08	2/170
1,407,658	A *	2/1922	Kelly	.....	A41D 13/088	2/170
1,534,208	A *	4/1925	Gibson	.....	A47L 13/18	401/15
1,808,049	A *	6/1931	Lyden	.....	A41D 13/088	2/170
2,199,334	A *	4/1940	Ferry	.....	A45D 44/08	2/50
2,243,505	A *	5/1941	Mercer	.....	A45D 44/08	2/50
2,364,568	A *	12/1944	Tiscornia	.....	A45D 44/08	2/50
2,638,599	A *	5/1953	Flink	.....	A41D 13/088	2/60

(Continued)

OTHER PUBLICATIONS

Manito Baby Shampoo Shower Hat posted to amazon.com. Available date: Mar. 21, 2015 [site visited Mar. 8, 2022] Available: <<https://www.amazon.com/Manito-Shampoo-Shower-Shield-Strawberry/dp/B00792KRAA?th=1>> (Year: 2015).\*

*Primary Examiner* — Kevin K Rudzinski  
 (74) *Attorney, Agent, or Firm* — Simpson & Simpson, PLLC

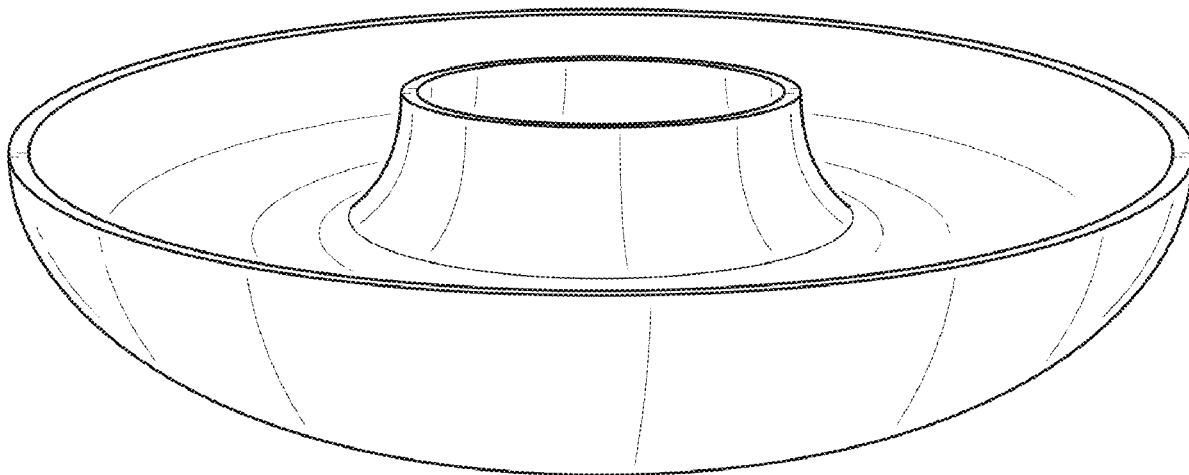
(57) **CLAIM**

The ornamental design for a drip catcher cuff, as shown and described.

**DESCRIPTION**

FIG. 1 is a front top perspective view of the drip catcher cuff of the present invention;  
 FIG. 2 is a front elevational view of the drip catcher cuff shown in FIG. 1;  
 FIG. 3 is a rear elevational view of the drip catcher cuff shown in FIG. 1;  
 FIG. 4 is a left side elevational view of the drip catcher cuff shown in FIG. 1;  
 FIG. 5 is a right side elevational view of the drip catcher cuff shown in FIG. 1;  
 FIG. 6 is a top plan view of the drip catcher cuff shown in FIG. 1;  
 FIG. 7 is a bottom plan view of the drip catcher cuff shown in FIG. 1; and,  
 FIG. 8 is a top perspective view of the drip catcher cuff shown in FIG. 1 in use being worn on a limb. Stippling and/or contour lines are included in the various views, for example, FIG. 1-8, to depict surface curvature, flatness, or other shapes. The broken line of a limb in FIG. 8, illustratively depicts exemplary in-use elements that form no part of the design claim but are included to show the invention in context.

**1 Claim, 8 Drawing Sheets**



(56)

**References Cited**

## U.S. PATENT DOCUMENTS

2,717,389 A \* 9/1955 Gribble ..... A45D 44/08  
2/50  
3,879,763 A \* 4/1975 Smith ..... A41D 13/08  
2/917  
3,883,897 A \* 5/1975 Lefkowitz ..... A41D 19/01594  
401/7  
4,014,046 A \* 3/1977 Craig ..... A41D 13/08  
2/60  
4,114,200 A \* 9/1978 Smith ..... A41D 13/1227  
2/51  
D302,053 S \* 7/1989 Bromberger ..... D28/20  
D313,883 S \* 1/1991 Fleming ..... D2/861  
4,984,299 A 1/1991 Halldorsdottir  
5,572,740 A \* 11/1996 Geniesse ..... A45D 44/08  
2/46  
5,682,612 A \* 11/1997 Schwarz ..... A41D 19/0055  
2/163  
6,092,237 A \* 7/2000 Baldwin ..... A41D 19/0089  
2/60  
D437,452 S \* 2/2001 Sadvskaya ..... D28/20  
6,968,572 B1 11/2005 Johnson  
D608,050 S \* 1/2010 Sangurima ..... D28/10  
7,721,354 B2 5/2010 Yu et al.  
11,096,599 B1 \* 8/2021 Rogerson ..... A41D 13/08  
2005/0229287 A1 10/2005 Mattesky  
2006/0195965 A1 9/2006 Knuth et al.  
2015/0208740 A1 7/2015 Weinberg

\* cited by examiner

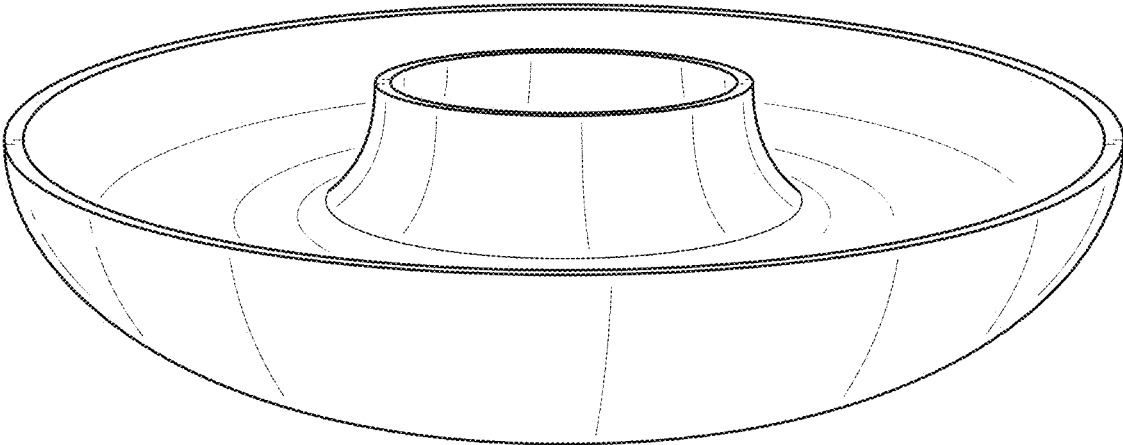


FIG. 1

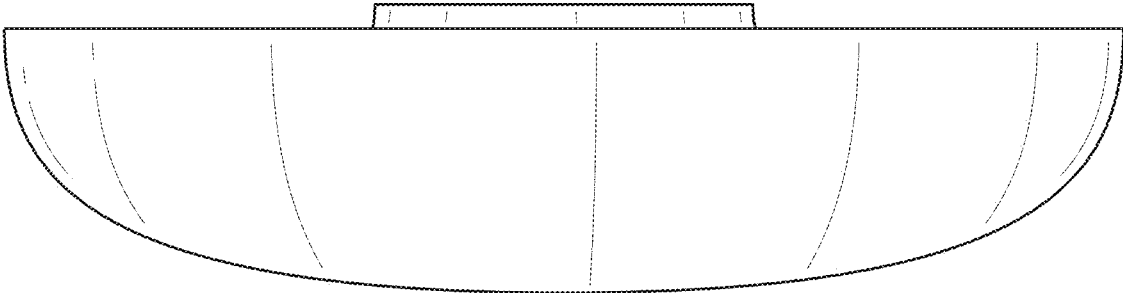


FIG. 2

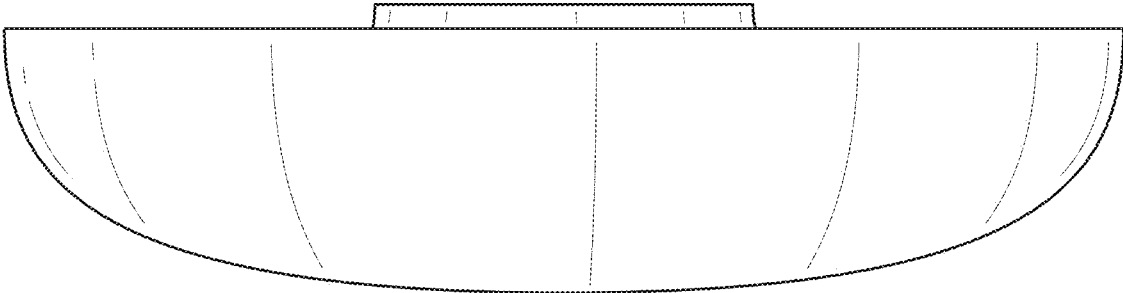


FIG. 3

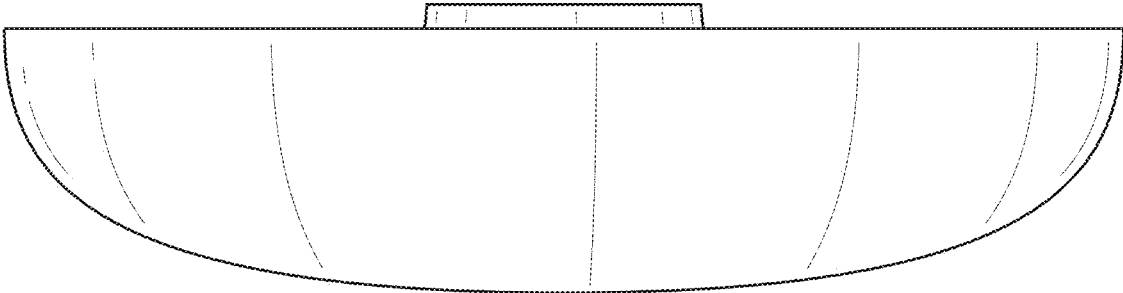


FIG. 4

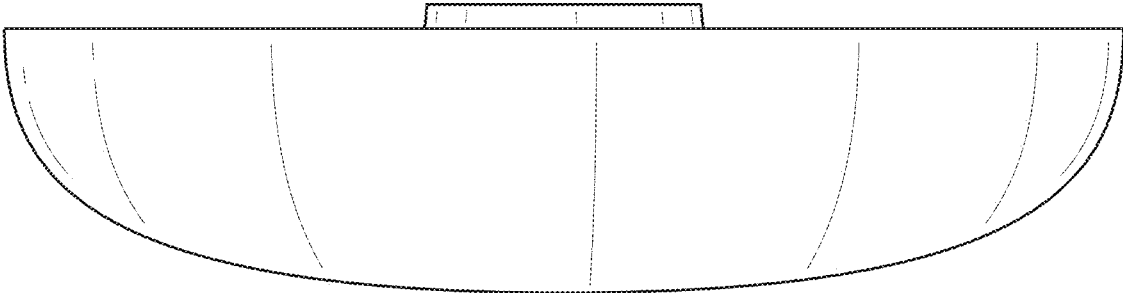


FIG. 5

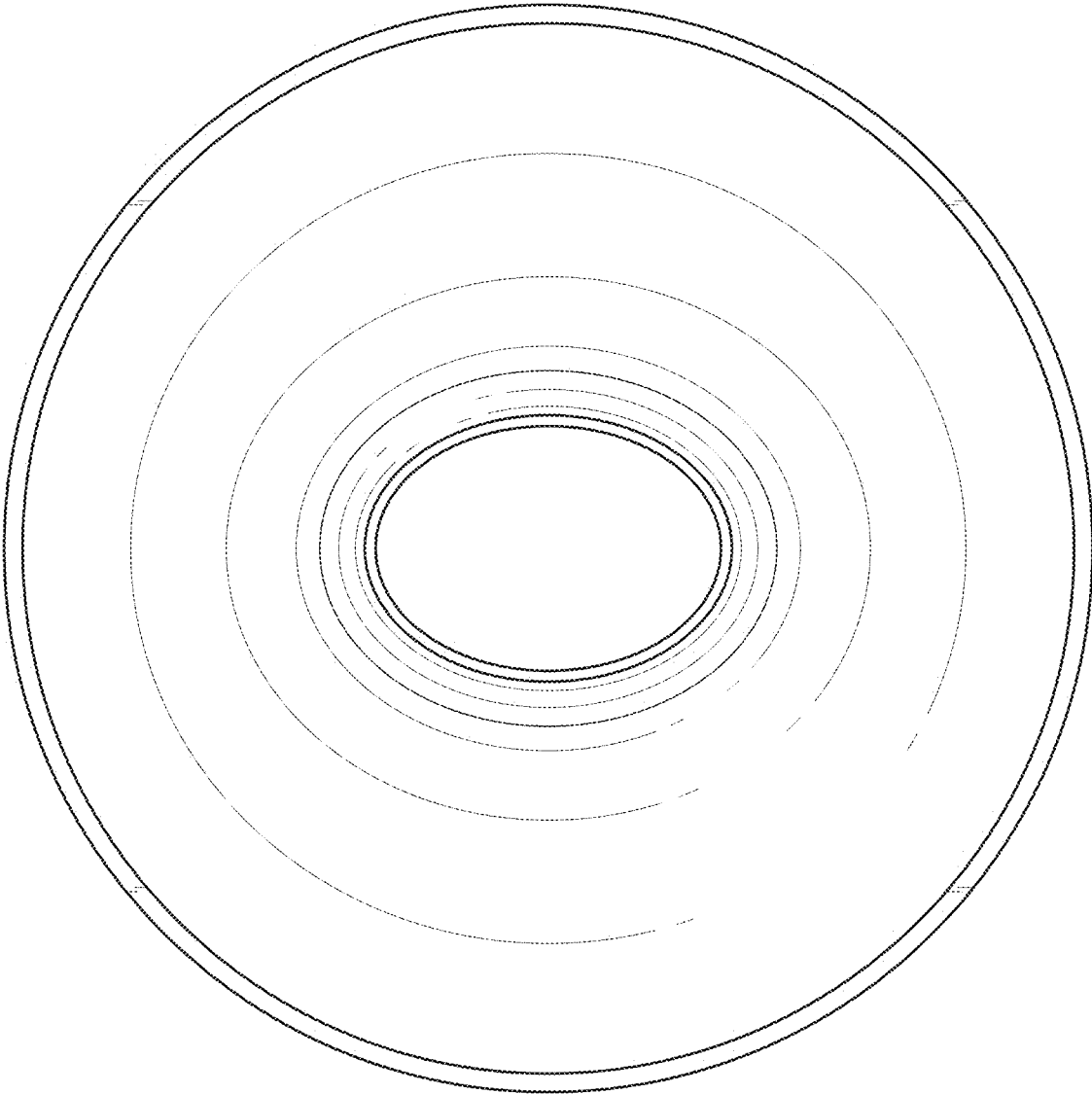


FIG. 6



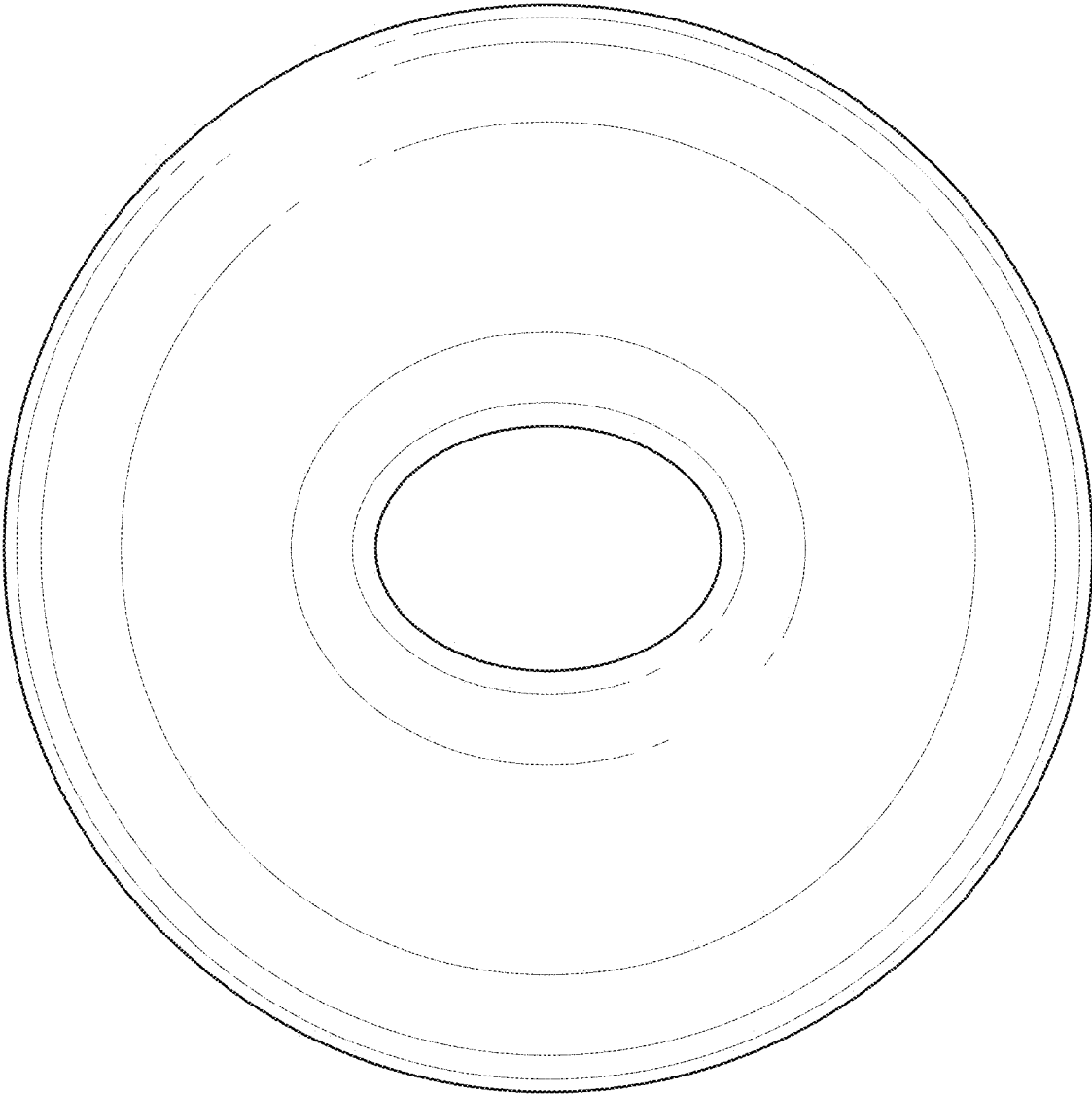


FIG. 7

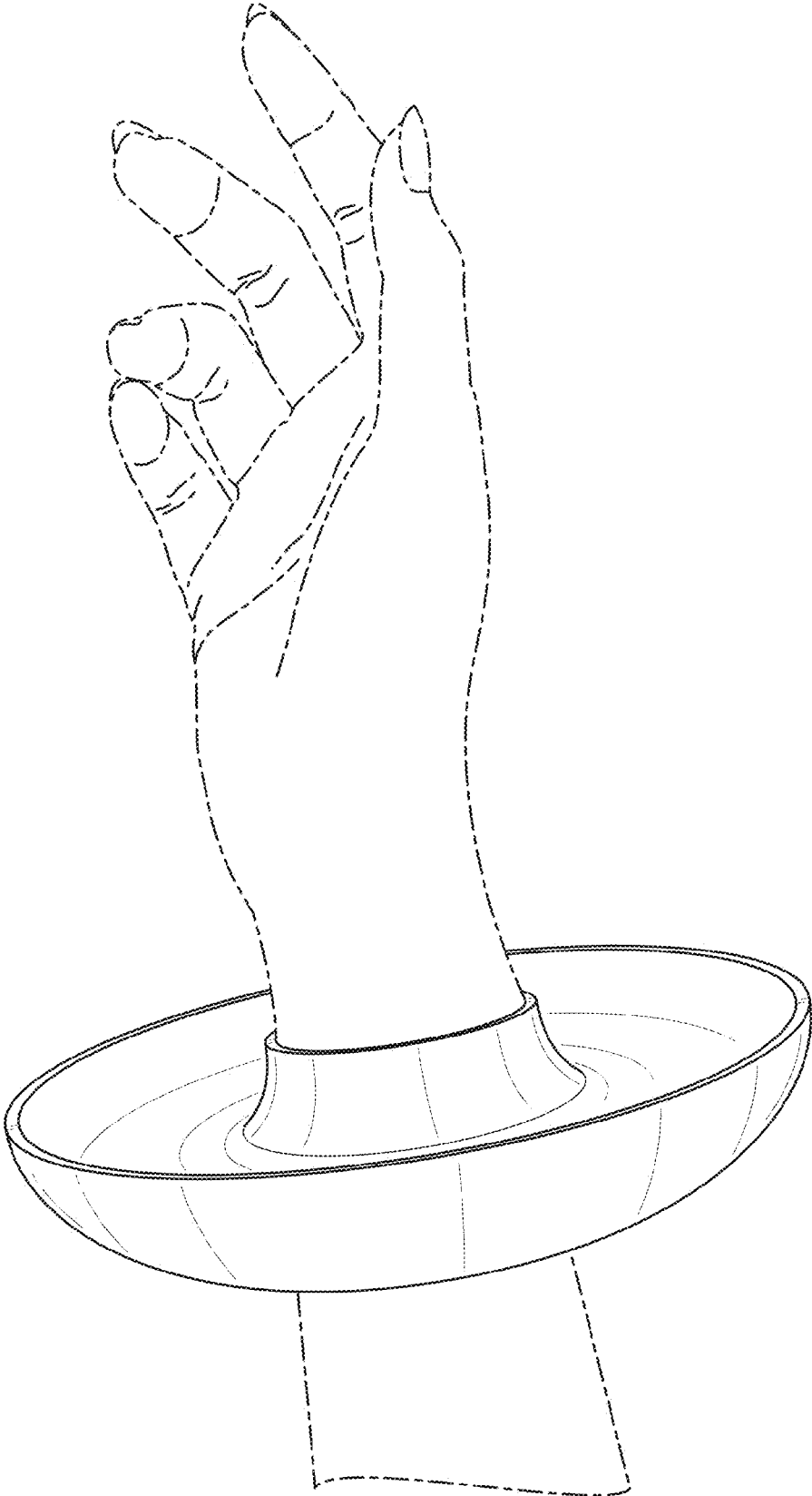


FIG. 8