



US00D966020S

(12) **United States Design Patent** (10) **Patent No.:** **US D966,020 S**
De Loynes (45) **Date of Patent:** **** Oct. 11, 2022**

(54) **SIDE TABLE**

(71) Applicant: **Umbra LLC**, Buffalo, NY (US)
(72) Inventor: **Eugenie De Loynes**, Toronto (CA)
(73) Assignee: **Umbra, LLC**, Buffalo, NY (US)
(**) Term: **15 Years**

(21) Appl. No.: **29/755,085**
(22) Filed: **Oct. 16, 2020**

(51) **LOC (13) Cl.** **06-03**
(52) **U.S. Cl.**
USPC **D6/687**

(58) **Field of Classification Search**
USPC D6/675, 687.14, 675.3, 685-687, 690,
D6/991, 691.1-692.6
CPC A47B 7/00; A47B 7/02; A47B 9/00; A47B
13/00; A47B 13/02; A47B 13/04; A47B
13/06; A47B 13/08; A47B 13/10; A47B
13/12; A47B 17/00; A47B 21/00; A47B
2200/0001; A47B 2200/0011; A47B
2200/0016; A47B 2200/002

See application file for complete search history.

(56) **References Cited**

U.S. PATENT DOCUMENTS

D274,577 S * 7/1984 Berry, Jr. D6/691.4
D405,988 S * 2/1999 Wohlford D6/675.3
D560,398 S * 1/2008 Lee D6/675.1
D612,174 S * 3/2010 Dingjian D6/687
D691,840 S * 10/2013 Copeland D6/656.15
D736,393 S * 8/2015 Cox D24/185
D927,904 S * 8/2021 Pedersen D6/691.3

OTHER PUBLICATIONS

Umbra Swivo Side Table—Amazon <https://www.amazon.com/Umbra-Bedside-Swiveling-Magazines-Blankets/dp/B083JVTLMM?th=1> retrieved from eh internet on Aug. 7, 2022.*

Glendale 2-tier Black Granite Drink End Table—Overstock https://www.overstock.com/Home-Garden/Coffee-Sofa-End-Tables/2030/subcat.html?featuredproduct=33566304&featureoption=62808812&ci_sku=37984323-000-000&cnc=US&cid=318794&track=pspla&network=x&matchtype=&keyword=&targetid=&gclid=EA1aIQobChMIgNC016q1--QIVDbb1Ch15_ABaEAQYAyABEgJ7KfD_BwE retrieved from eh internet on Aug. 7, 2022.*

* cited by examiner

Primary Examiner — Mary Ann Calabrese
(74) *Attorney, Agent, or Firm* — Simpson & Simpson, PLLC

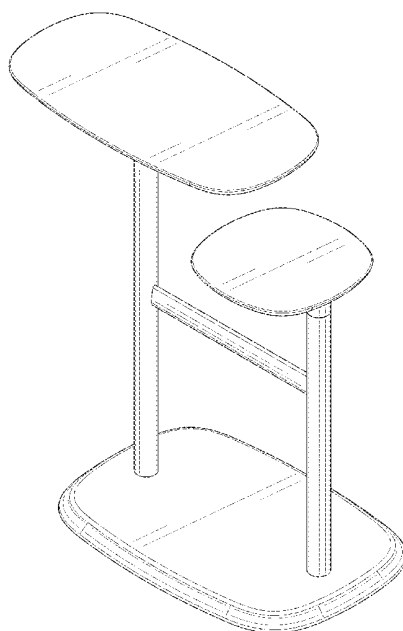
(57) **CLAIM**

The ornamental design for a side table, as shown and described.

DESCRIPTION

FIG. 1 is a front perspective view of the side table of the present invention;
FIG. 2 is a front elevational view of the side table shown in FIG. 1;
FIG. 3 is a rear elevational view of the side table shown in FIG. 1;
FIG. 4 is a left side elevational view of the side table shown in FIG. 1;
FIG. 5 is a right side elevational view of the side table shown in FIG. 1;
FIG. 6 is a top plan view of the side table shown in FIG. 1; and,
FIG. 7 is a bottom plan view of the side table shown in FIG. 1.

1 Claim, 7 Drawing Sheets



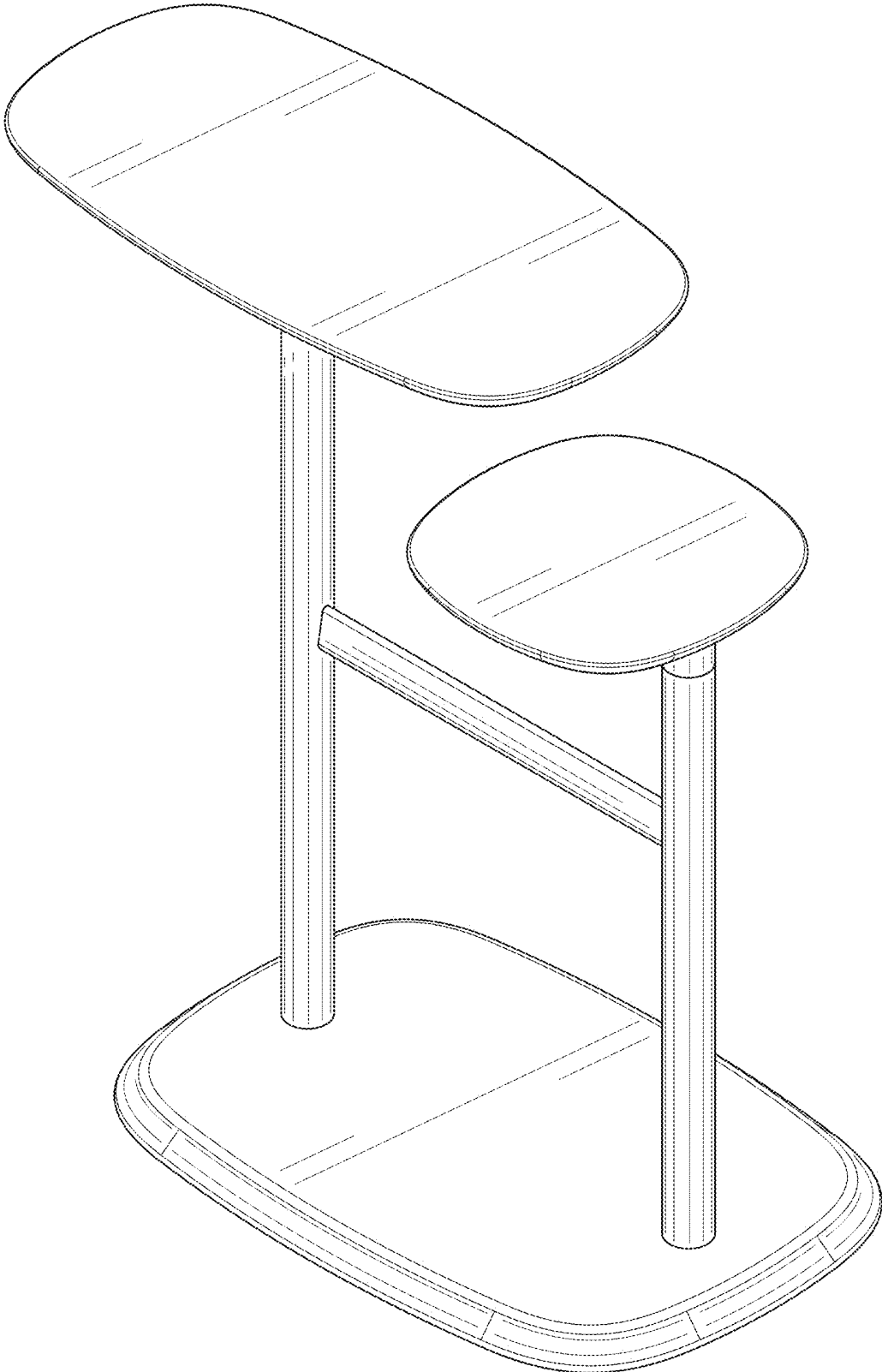


FIG. 1

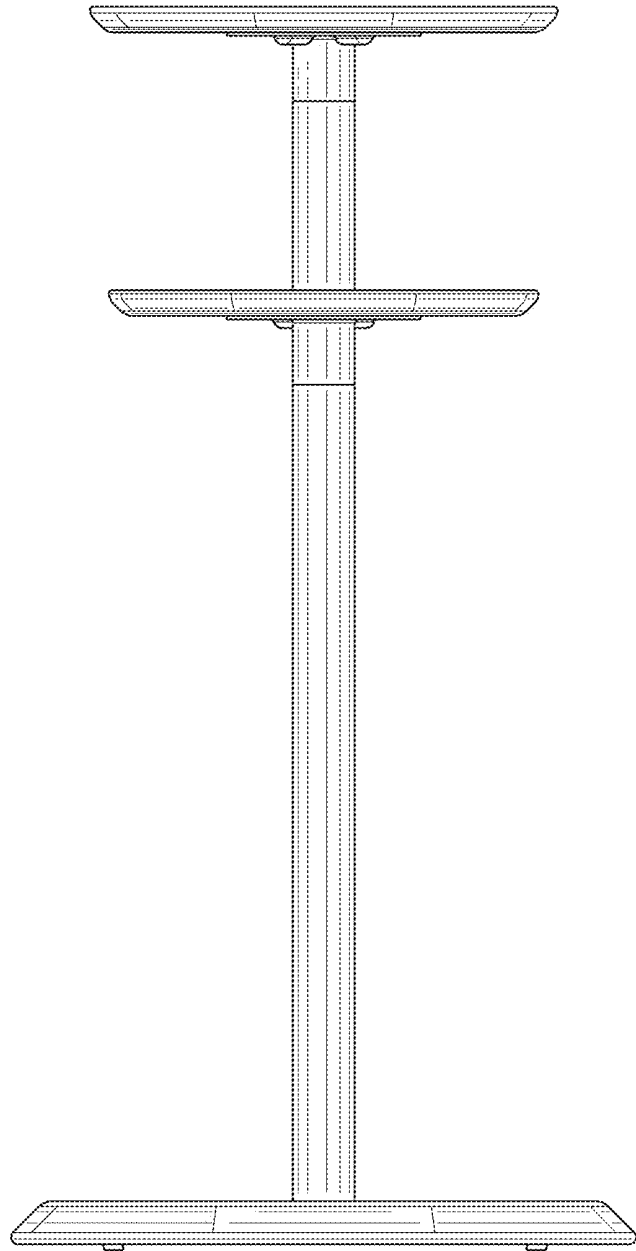


FIG. 2

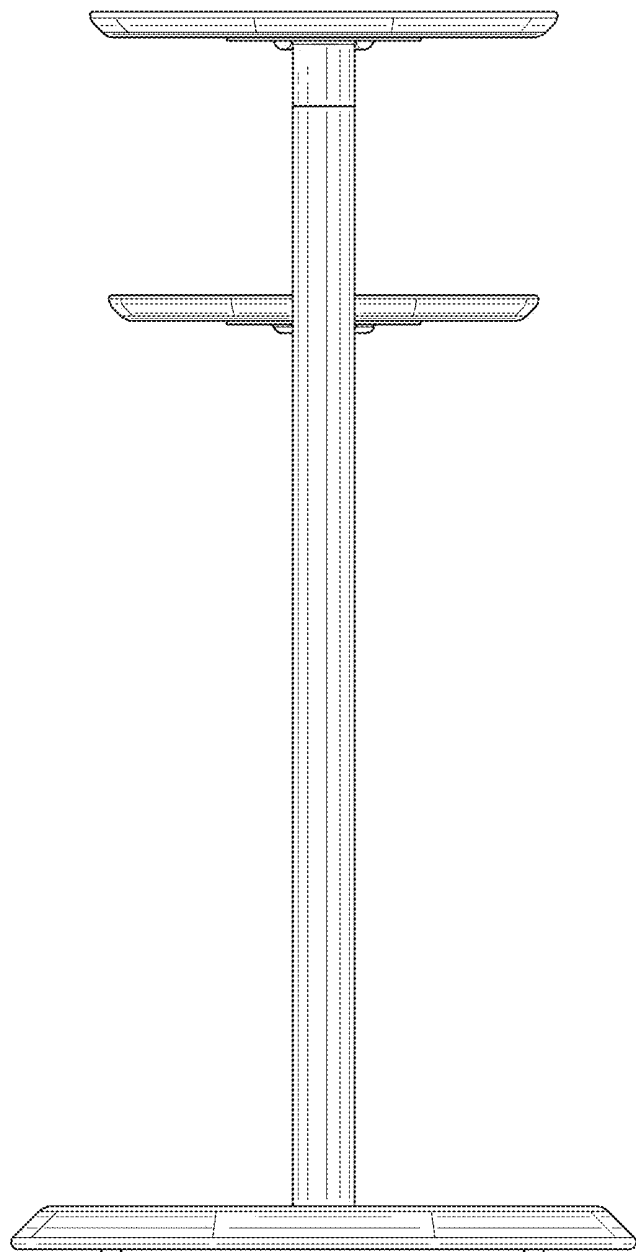


FIG. 3

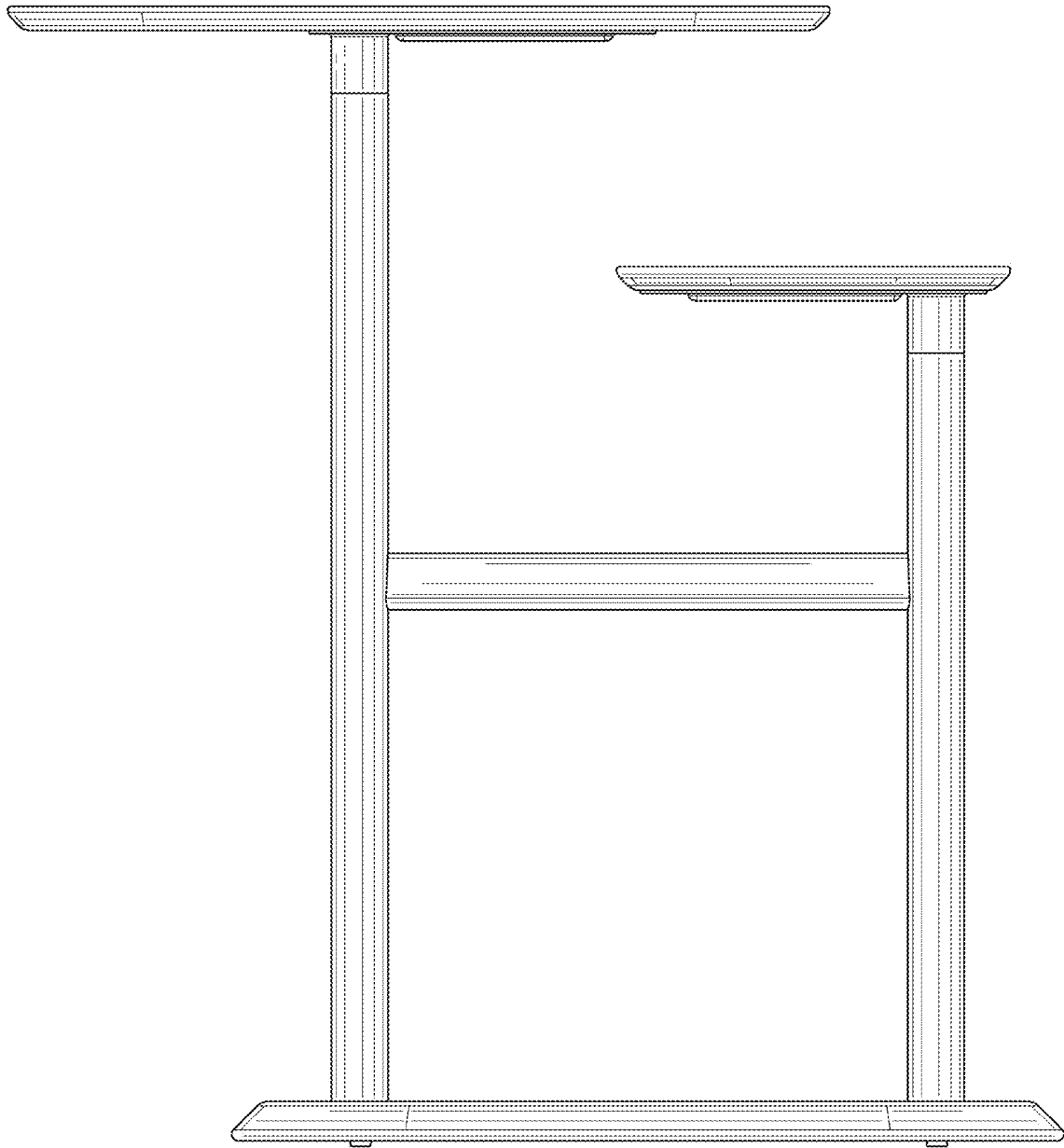


FIG. 4

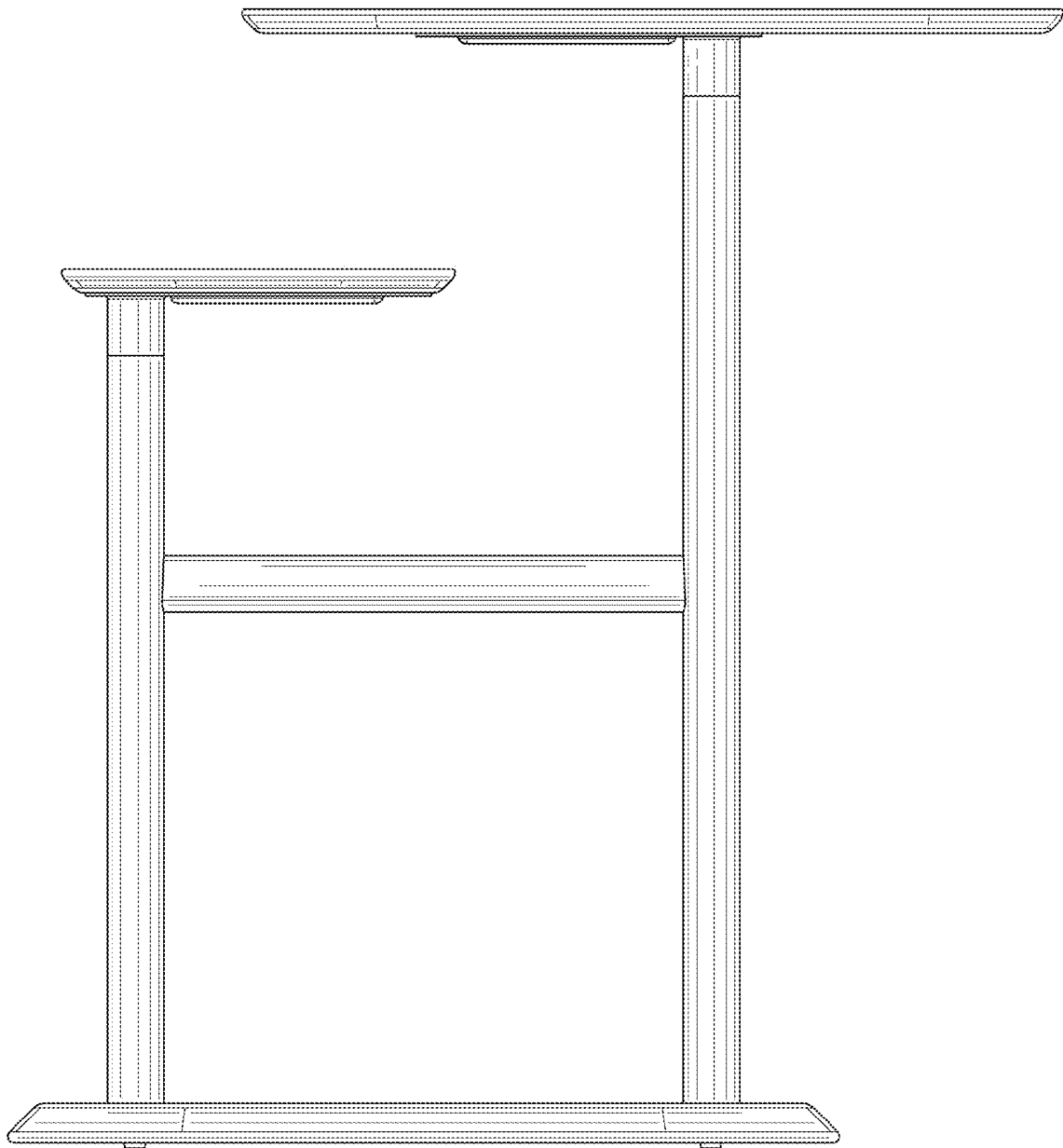


FIG. 5

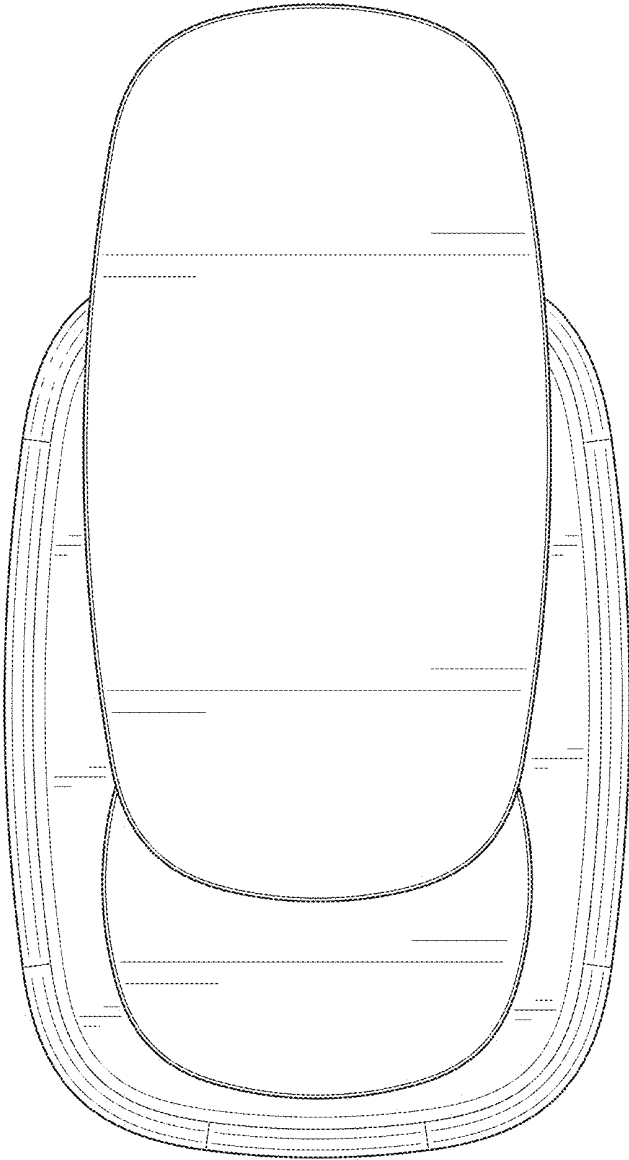


FIG. 6

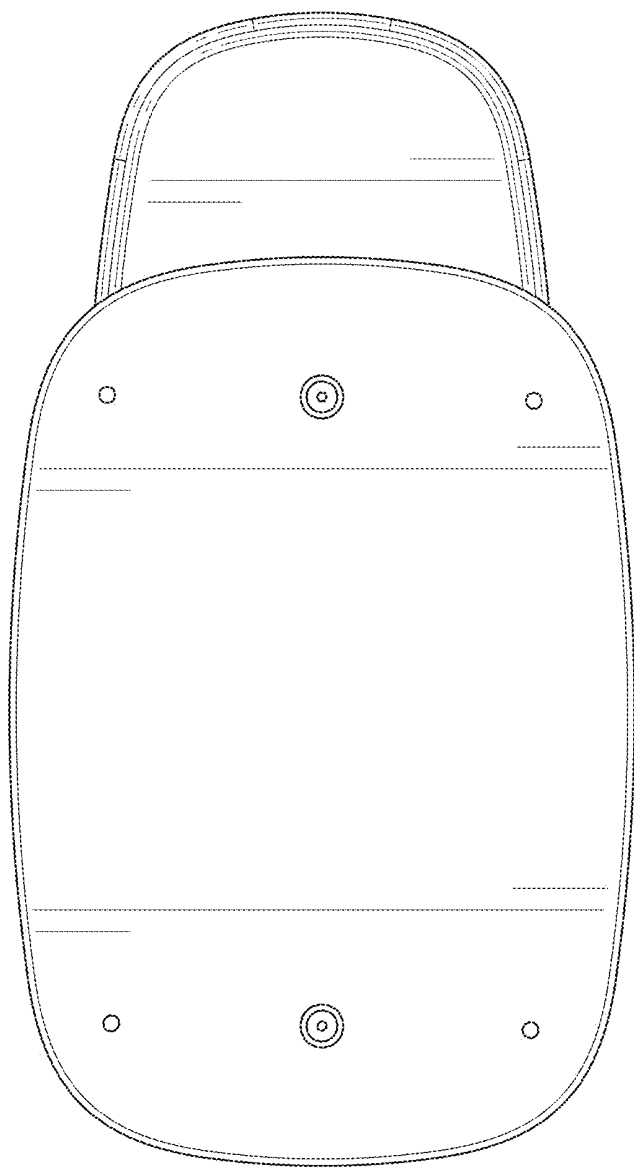


FIG. 7