



US00D970144S

(12) **United States Design Patent** (10) **Patent No.:** **US D970,144 S**  
**De Loynes et al.** (45) **Date of Patent:** **\*\* Nov. 15, 2022**

(54) **SERVING CART**

- (71) Applicant: **Umbra LLC**, Buffalo, NY (US)
- (72) Inventors: **Eugenie De Loynes**, Toronto (CA);  
**Matthew J. Carr**, Toronto (CA);  
**Nathan Asis**, Richmond Hill (CA)
- (73) Assignee: **Umbra LLC**, Buffalo, NY (US)
- (\*\*) Term: **15 Years**

- (21) Appl. No.: **29/773,608**
- (22) Filed: **Mar. 10, 2021**
- (51) **LOC (13) Cl.** ..... **12-02**
- (52) **U.S. Cl.**  
USPC ..... **D34/21**
- (58) **Field of Classification Search**  
USPC ..... D34/12-27  
CPC .. B62B 3/00; B62B 3/10; B62B 3/022; B62B  
3/02; B62B 3/004; B62B 3/027; B62B  
3/04; B62B 2205/00; B62B 5/026; B62B  
1/12; B62B 1/00; B62B 1/10; B62B 1/14;  
B62B 1/047; B62B 1/04  
See application file for complete search history.

(56) **References Cited**

**U.S. PATENT DOCUMENTS**

2,886,186	A *	5/1959	Hamilton	.....	A47B 31/00 211/186
D391,032	S *	2/1998	Delmerico	.....	D34/21
D554,323	S *	10/2007	Roth	.....	D34/12
D578,269	S *	10/2008	Van LANDINGHAM, Jr.	.....	D34/17
D710,064	S *	7/2014	Schumaker	.....	D34/17
D922,021	S *	6/2021	Phillips	.....	D34/21
2008/0018078	A1 *	1/2008	Van LANDINGHAM	.....	B62B 3/02 280/30
2014/0217690	A1 *	8/2014	Schumaker	.....	B62B 5/00 280/47.35
2019/0111956	A1 *	4/2019	Phillips	.....	A47B 31/00

**OTHER PUBLICATIONS**

Amazon.com Jun. 22, 2022, glitzhome 30.75" H Oval Gold Bar Cart with 4 Wheels 2-Tier Deluxe Tray Metal Mirrored Glass Top Rolling Serving Cart, <https://www.amazon.com/Glitzhome-Mirrored-Rolling-Serving-Kitchen/dp/B082V84Q2Y> (Year: 2022).\*

Overstock.com Jun. 22, 2022, Umbra Bellwood bar and serving cart, <https://www.overstock.com/Home-Garden/Umbra-Bellwood-Bar-and-Serving-Cart-White-Natural/36012355> (Year: 2022).\*

Umbra.com Jun. 22, 2022, Bellwood Bar & serving cart, <https://www.umbra.com/products/bellwood-bar-cart> (Year: 2022).\*

\* cited by examiner

*Primary Examiner* — Cynthia Ramirez

(74) *Attorney, Agent, or Firm* — Simpson & Simpson, PLLC

(57) **CLAIM**

The ornamental design for a serving cart, as shown and described.

**DESCRIPTION**

FIG. 1 is a perspective view of the serving cart of the present invention;

FIG. 2 is a front elevation view of the serving cart shown in FIG. 1;

FIG. 3 is a rear elevation view of the serving cart shown in FIG. 1;

FIG. 4 is a left elevation view of the serving cart shown in FIG. 1;

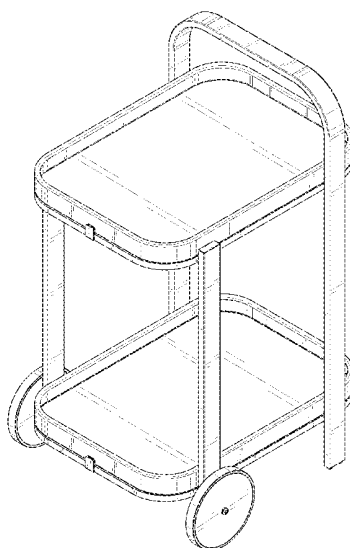
FIG. 5 is a right elevation view of the serving cart shown in FIG. 1;

FIG. 6 is a top plan view of the serving cart shown in FIG. 1; and,

FIG. 7 is a bottom plan view of the serving cart shown in FIG. 1.

The broken lines in the figures show portions of the serving cart, which form no part of the claimed design.

**1 Claim, 7 Drawing Sheets**



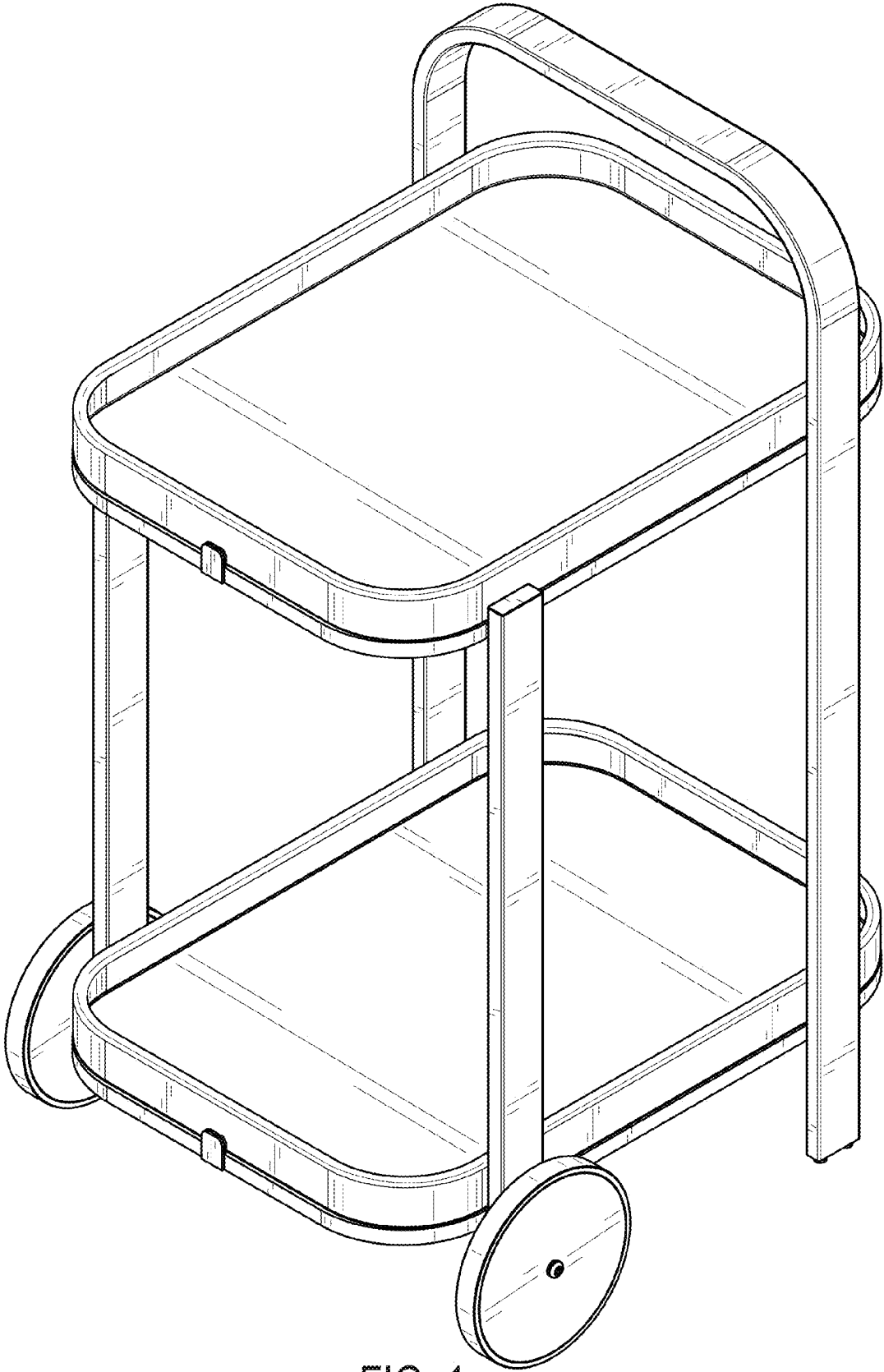


FIG. 1

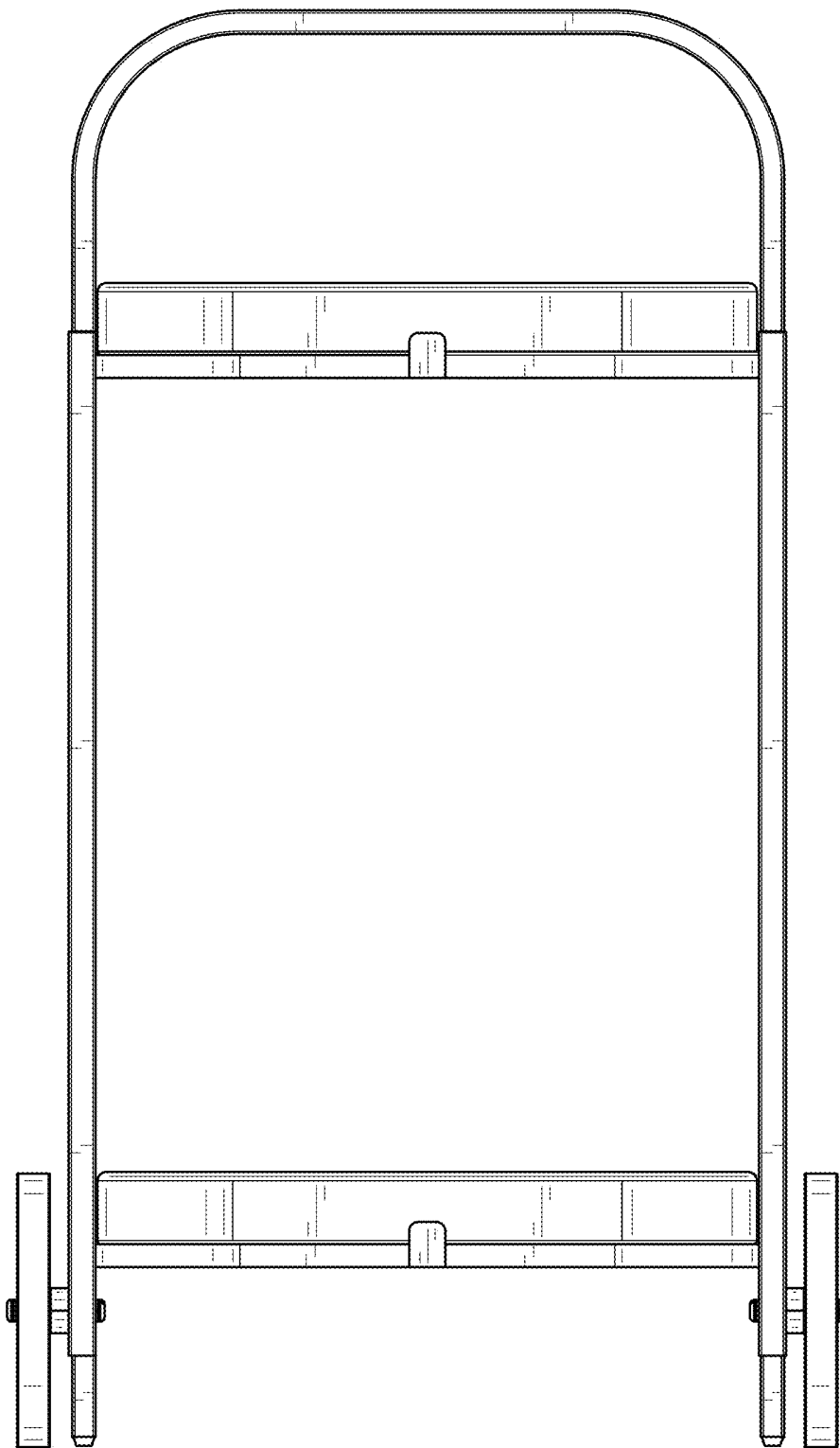


FIG. 2

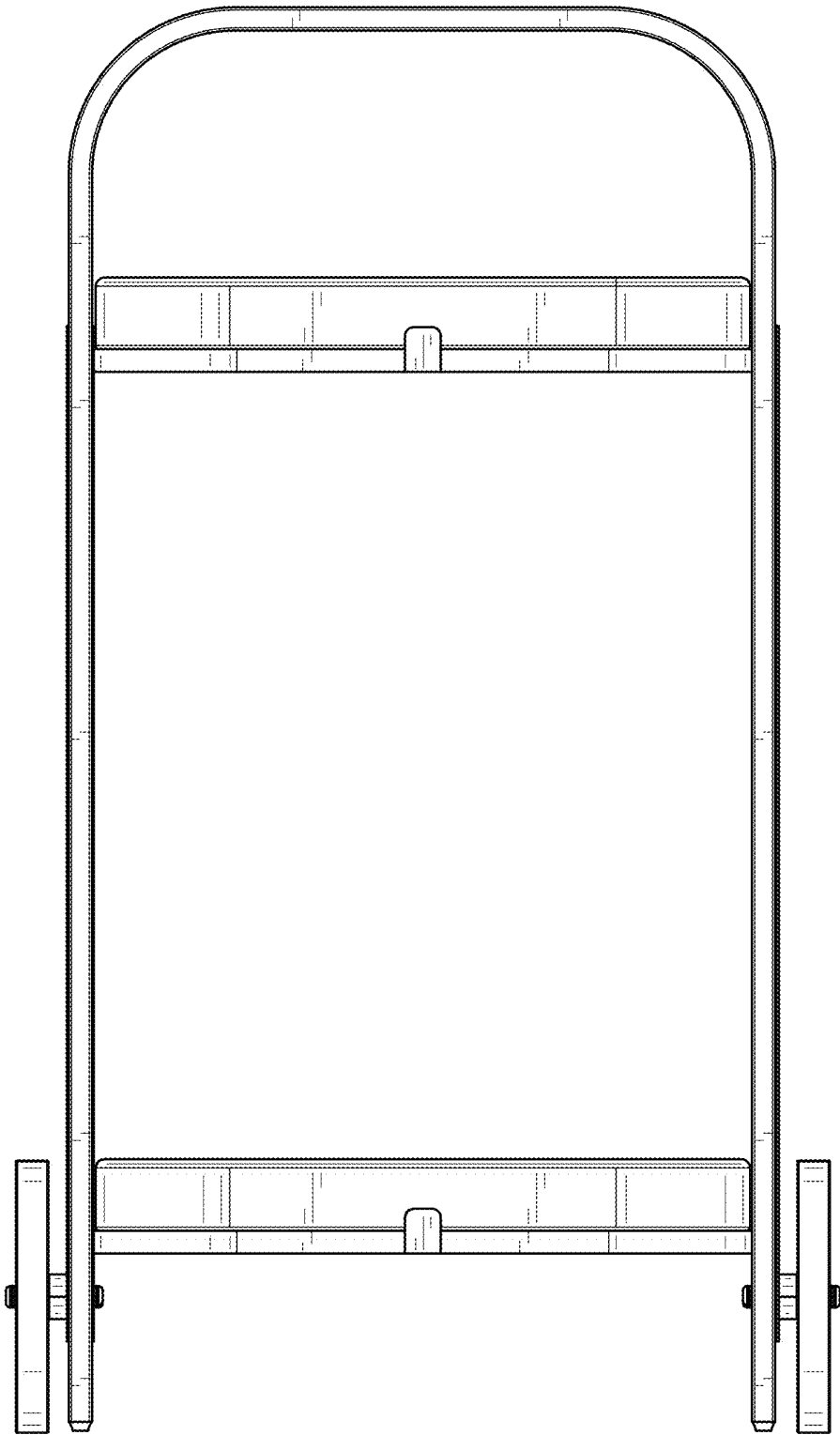


FIG. 3

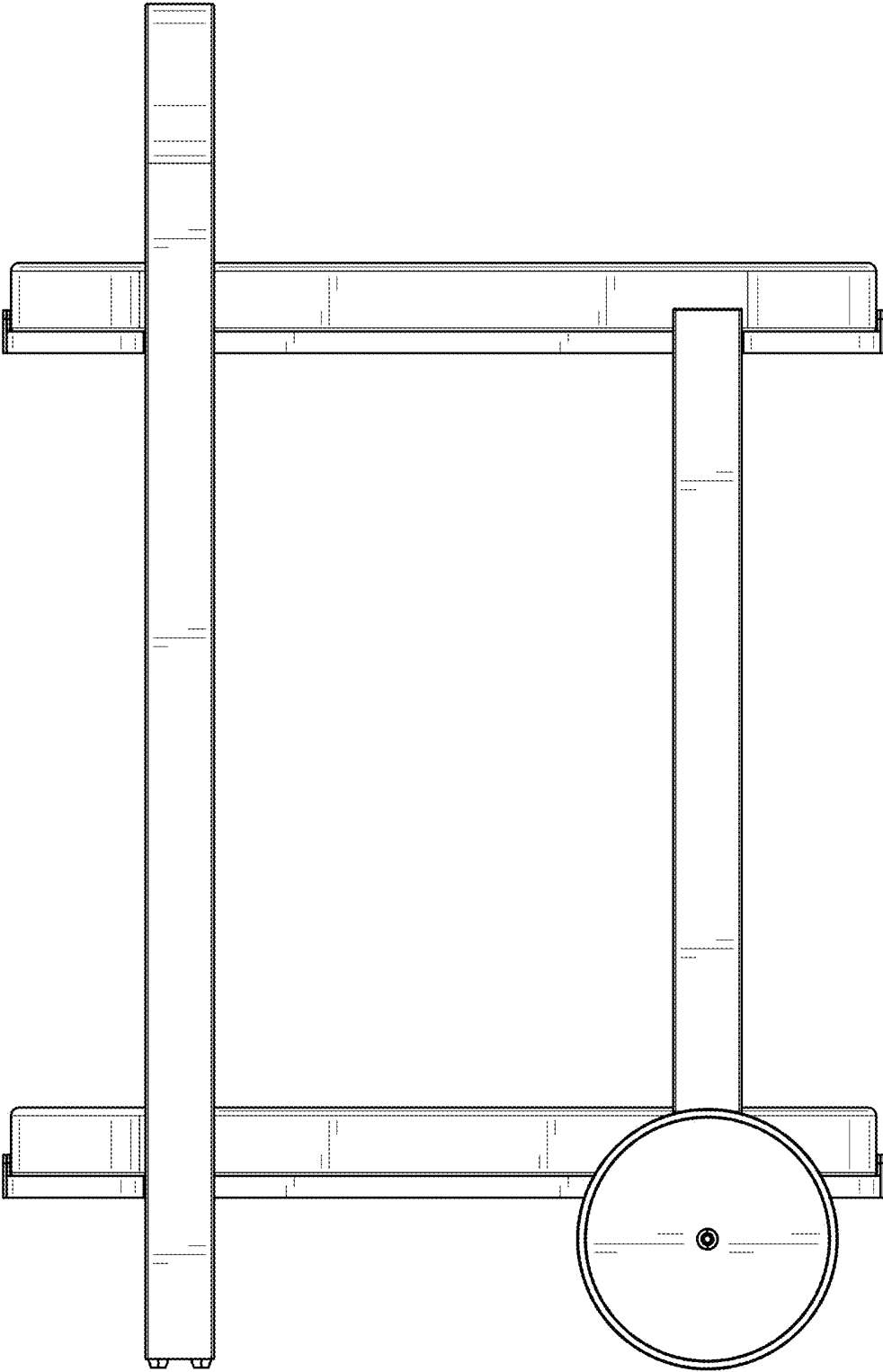


FIG. 4

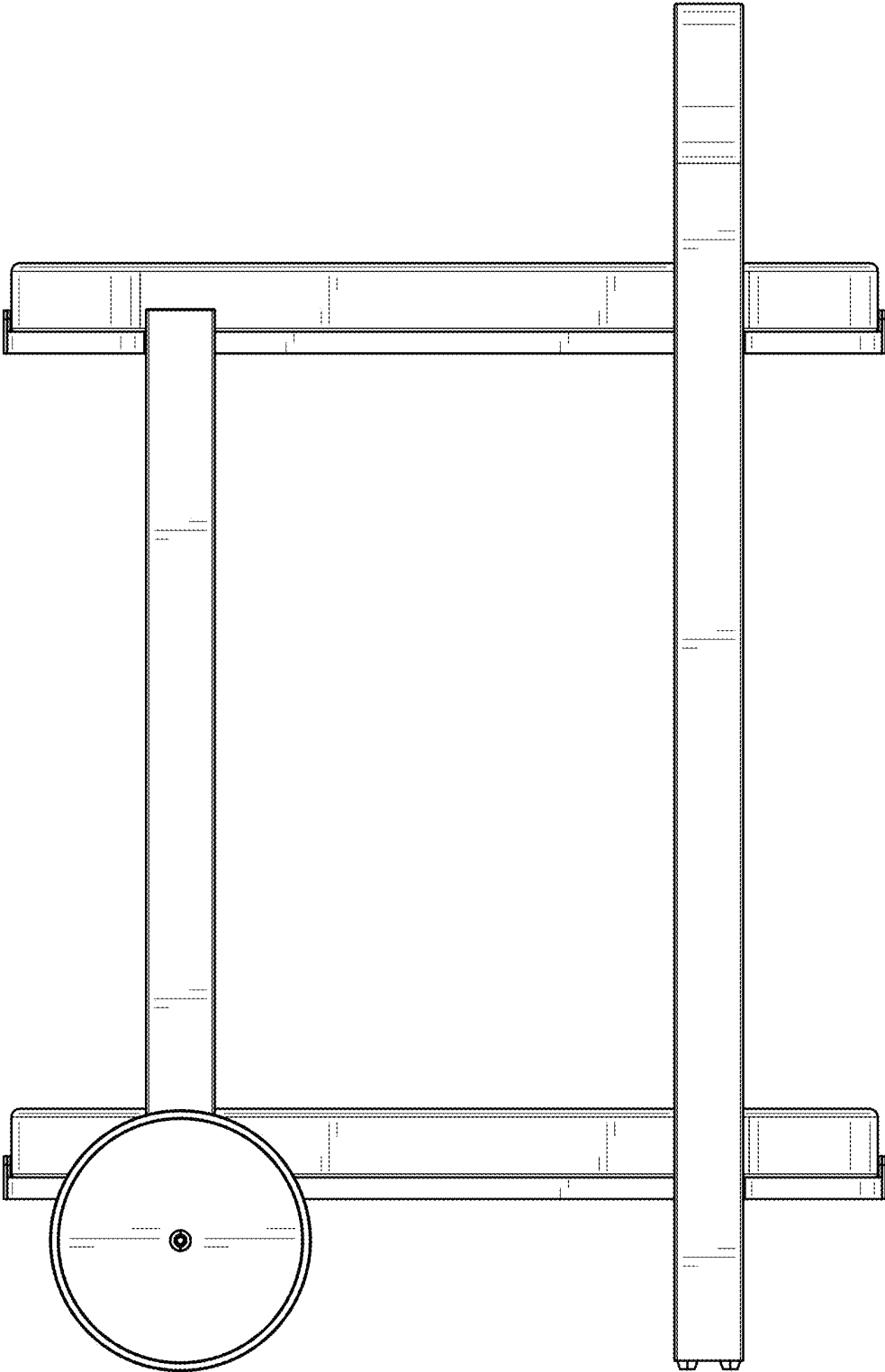


FIG. 5

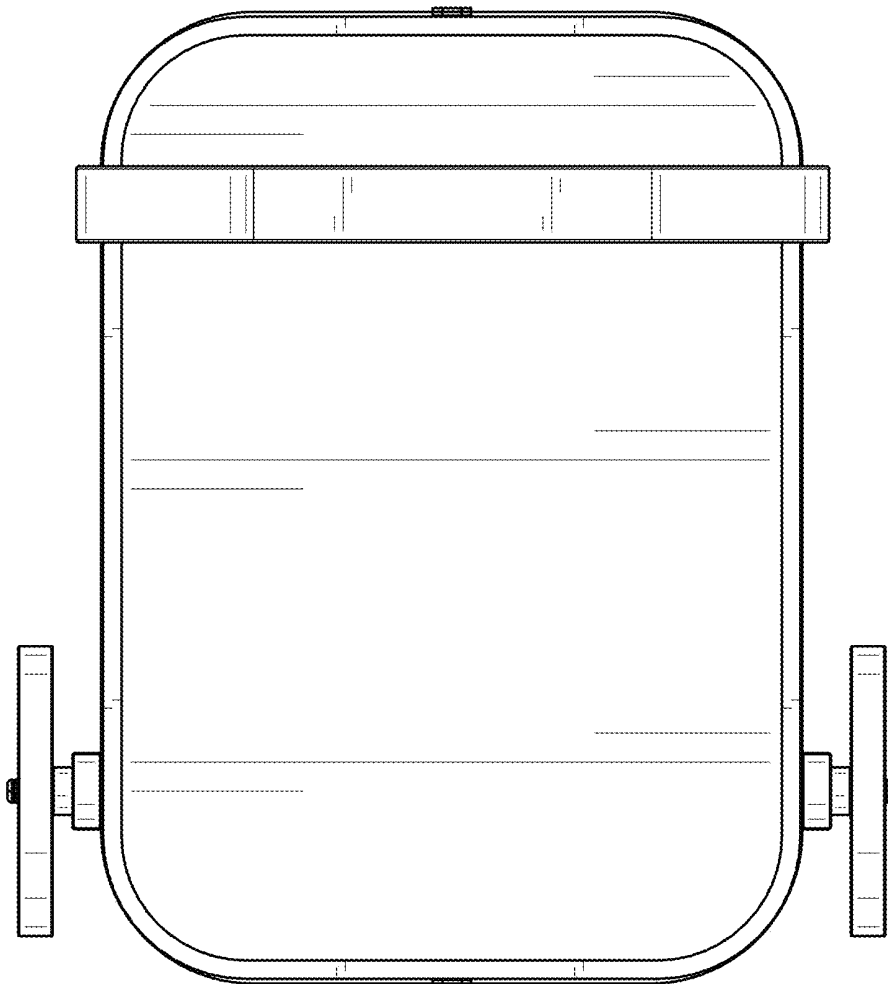


FIG. 6

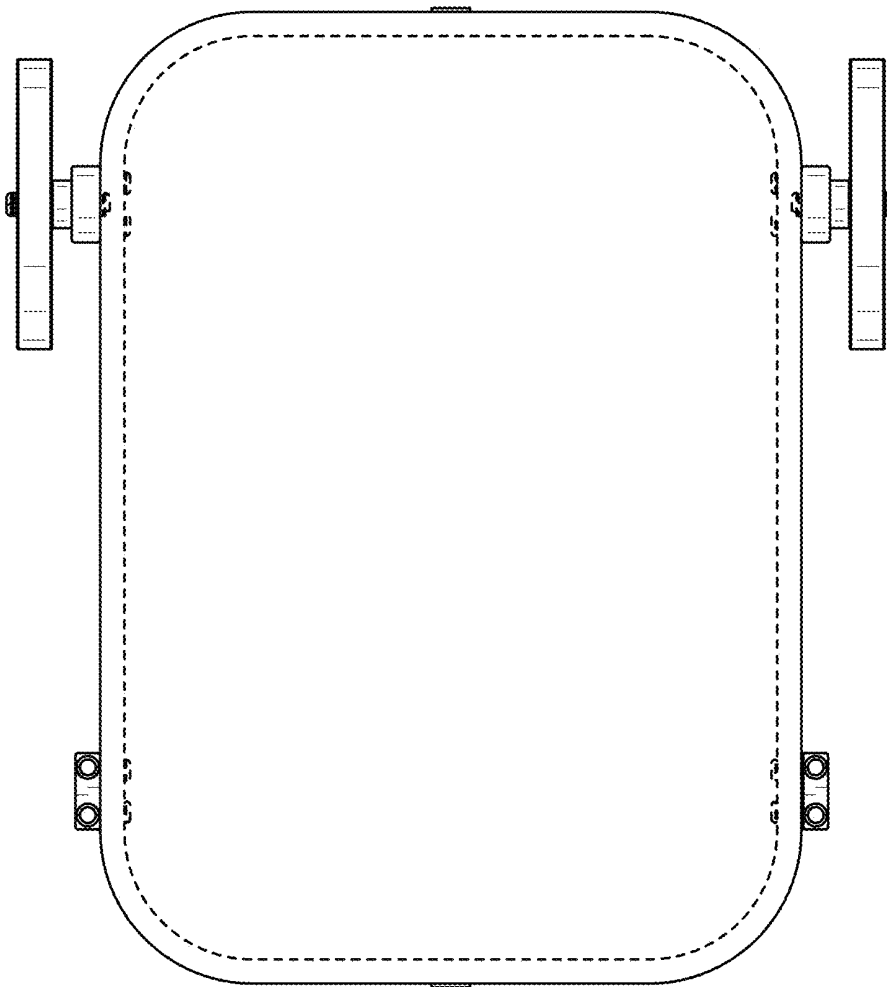


FIG. 7