



US00D970922S

(12) **United States Design Patent** (10) **Patent No.:** **US D970,922 S**  
**Park** (45) **Date of Patent:** **\*\* Nov. 29, 2022**

(54) **COMBINED MIRROR WITH ATTACHED SHELVES**

(71) Applicant: **Umbra LLC**, Buffalo, NY (US)

(72) Inventor: **Sung Wook Park**, Toronto (CA)

(73) Assignee: **UMBRA LLC**, Buffalo, NY (US)

(\*\*) Term: **15 Years**

(21) Appl. No.: **35/001,941**

(22) Filed: **Sep. 30, 2020**

D163,338 S *	5/1951	Sontag	.....	D6/568
D164,393 S *	8/1951	White	.....	D6/568
D174,339 S *	3/1955	Mecus	.....	D6/568
D250,307 S *	11/1978	McGarvey	.....	D6/568
D263,185 S *	3/1982	Scholl	.....	D6/300
D483,574 S *	12/2003	Wanek	.....	D6/309
D486,962 S *	2/2004	Snell	.....	D6/309
D543,763 S *	6/2007	Mayer	.....	D6/568
D566,974 S *	4/2008	Lee	.....	D6/300
D568,081 S *	5/2008	Thompson	.....	D6/568
D569,671 S *	5/2008	Thompson	.....	D6/568
D667,004 S *	9/2012	Goodrich	.....	D14/253
D724,360 S *	3/2015	Murchison	.....	D6/682.1
D724,362 S *	3/2015	Murchison	.....	D6/682.1
D727,478 S *	4/2015	Mayer	.....	D23/286
D804,196 S *	12/2017	Neri	.....	D6/309

(Continued)

(80) **Hague Agreement Data**

Int. Filing Date: **Sep. 30, 2020**

Int. Reg. No.: **DM/212382**

Int. Reg. Date: **Sep. 30, 2020**

Int. Reg. Pub. Date: **Feb. 5, 2021**

(51) **LOC (13) Cl.** ..... **06-07**

(52) **U.S. Cl.**

USPC ..... **D6/568**

(58) **Field of Classification Search**

USPC ..... D6/300, 301, 303, 304, 308, 309, 310,  
D6/312, 568; D21/578, 579; D26/51,  
D26/52, 56, 61, 63, 64, 65

CPC .... A47G 1/02; A47G 1/24; A47G 2001/1673;  
A47G 2200/08; A47G 2200/14; A47G  
2200/143; A47G 2200/146; G06F 3/005;  
G06F 3/011; G06F 3/041; G06F 3/167;  
H04R 1/028; H04R 2430/01; A45D  
2044/007; A45D 44/005; A45D 40/18;  
A45D 33/32; G06T 2207/30201; B60R  
1/12; B60R 2001/1269; G09F 13/12

See application file for complete search history.

(56) **References Cited**

U.S. PATENT DOCUMENTS

D116,618 S *	9/1939	Trojan	.....	D20/10
D122,679 S *	9/1940	Blomgren	.....	D6/568
D132,985 S *	7/1942	Lyons	.....	D6/673

OTHER PUBLICATIONS

Perch mirror, posted at vimeo.com, posted on Aug. 13, 2020, site visited Nov. 1, 2021. online, available from internet: <https://vimeo.com/447512089> (Year: 2020).\*

*Primary Examiner* — Catherine Ho

(74) *Attorney, Agent, or Firm* — Simpson & Simpson, PLLC

(57) **CLAIM**

The ornamental design for a combined mirror with attached shelves, as shown and described.

**DESCRIPTION**

**1.1** : is a front perspective view of a combined mirror with attached shelves of the present invention;

**1.2** : is a front elevational view thereof;

**1.3** : is a rear elevational view thereof;

**1.4** : is a left side elevational view thereof;

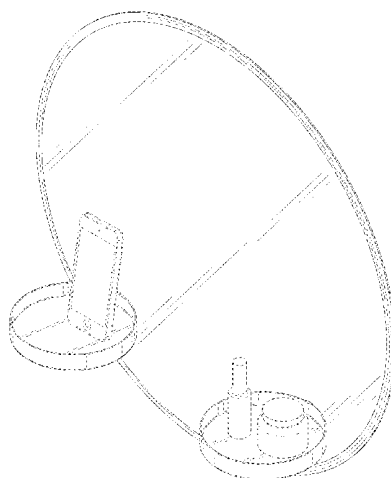
**1.5** : is a right side elevational view thereof;

**1.6** : is a top plan view thereof; and

**1.7** : is a bottom plan view thereof.

The broken lines show environmental structure and forms no part of the claimed design.

**1 Claim, 7 Drawing Sheets**



(56)

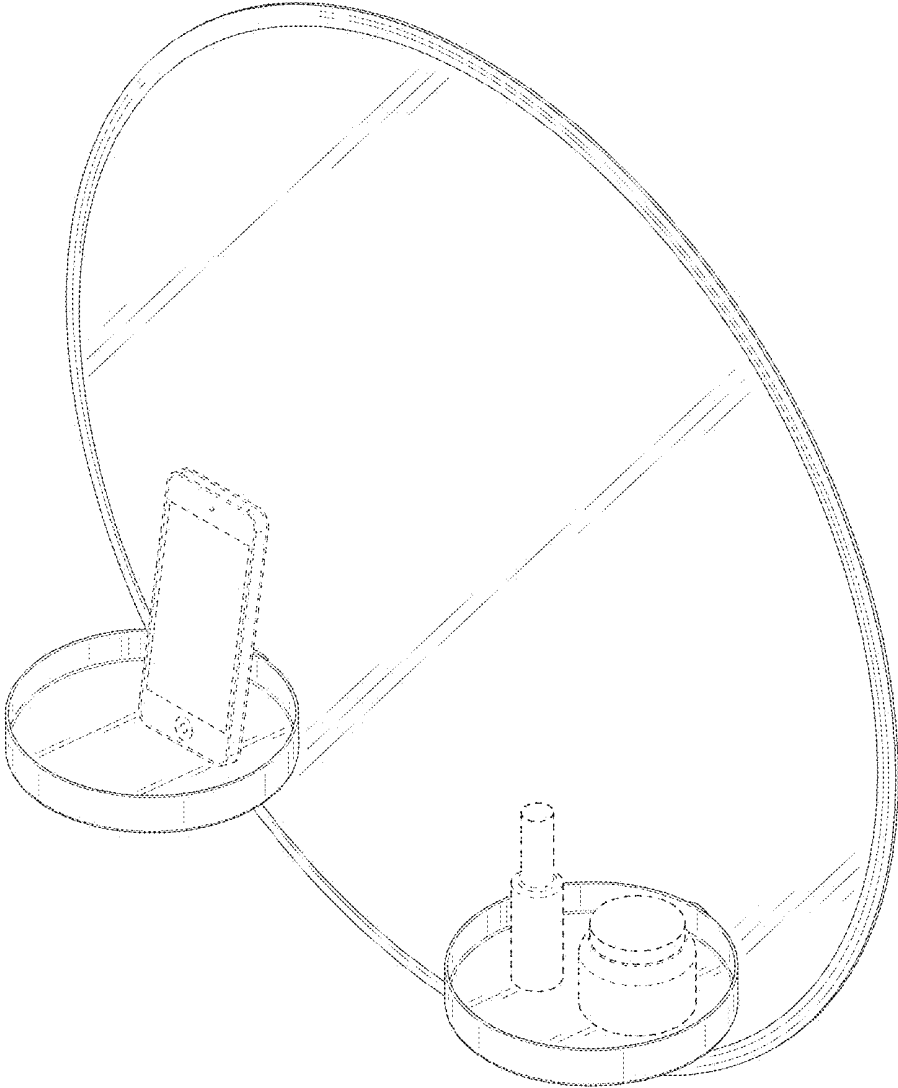
**References Cited**

U.S. PATENT DOCUMENTS

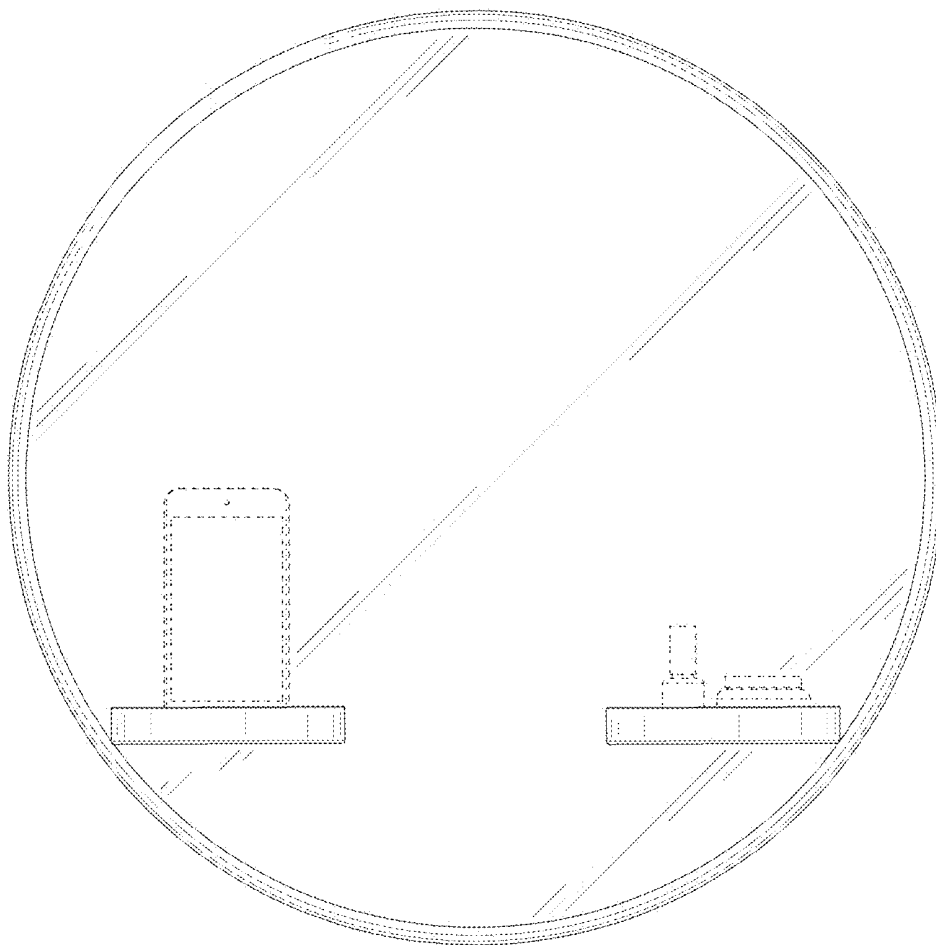
D849,422	S *	5/2019	Tai	.....	D5/99
D898,967	S *	10/2020	Yang	.....	D26/51
10,935,231	B2 *	3/2021	Frydenger	.....	G03B 15/03
D918,603	S *	5/2021	Bassant	.....	D6/309
D923,946	S *	7/2021	Flaig	.....	D6/309
D926,344	S *	7/2021	Arola	.....	D26/51
2005/0005824	A1 *	1/2005	McLemore	.....	A47F 5/0043 108/42

\* cited by examiner

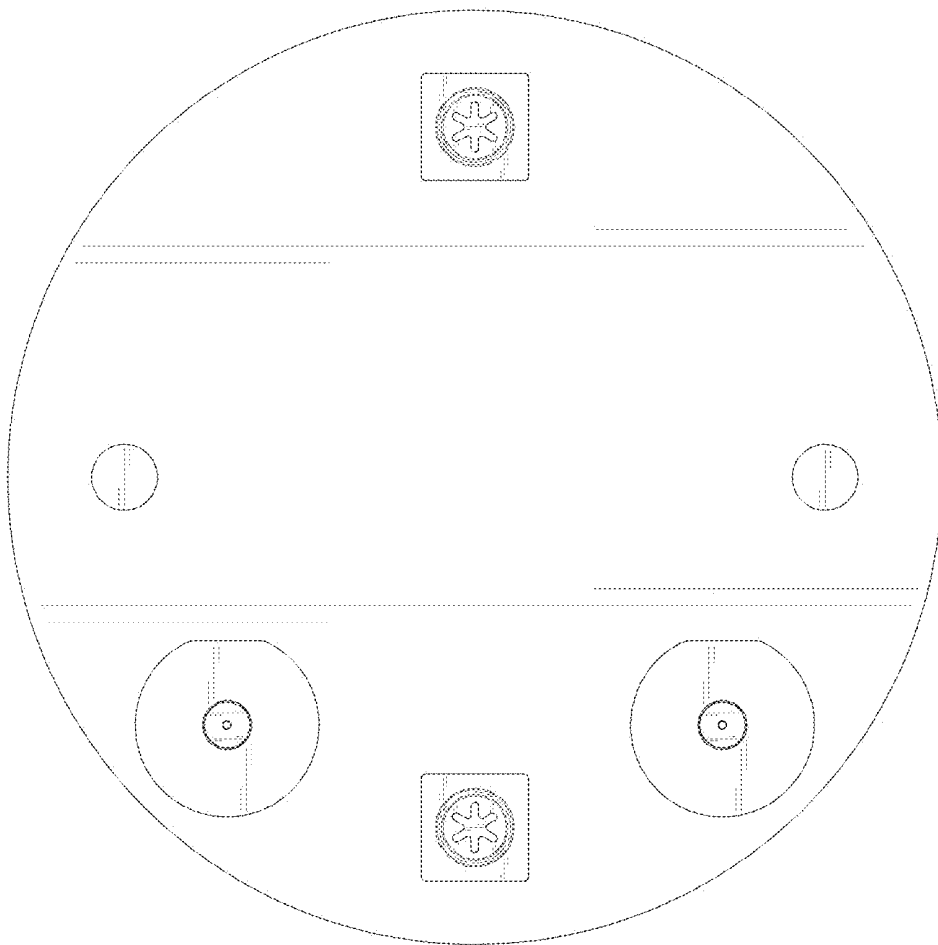
1.1



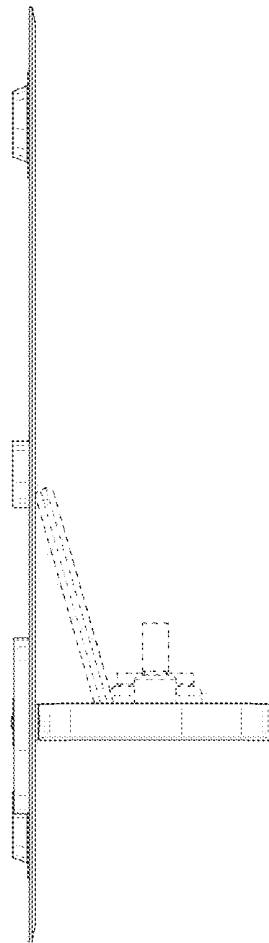
1.2



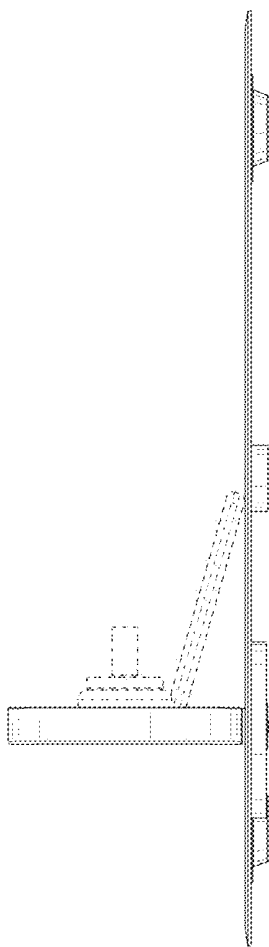
1.3

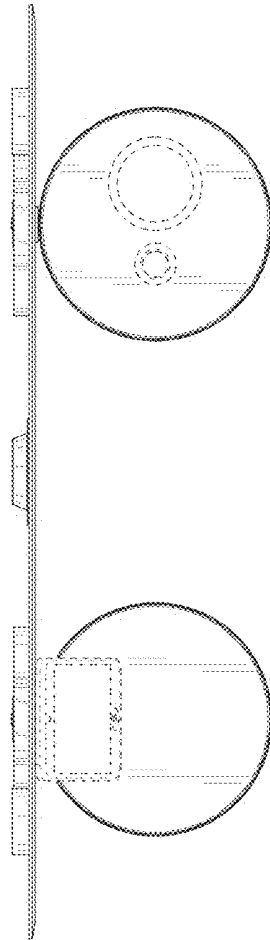


1.4



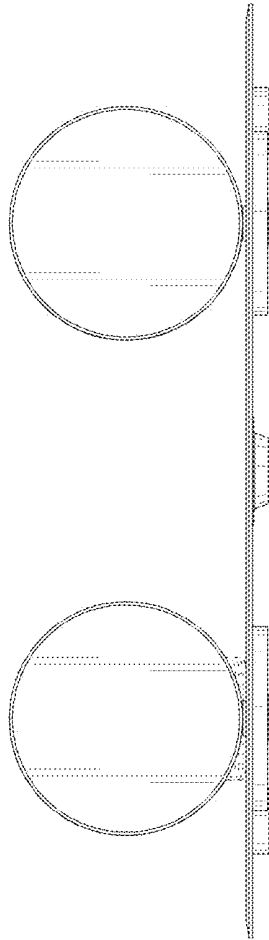
1.5





1.6





1.7