



US00D989526S

(12) **United States Design Patent** (10) **Patent No.:** **US D989,526 S**  
**Wood** (45) **Date of Patent:** **\*\* Jun. 20, 2023**

(54) **MODULE SHELF**

FOREIGN PATENT DOCUMENTS

(71) Applicant: **Umbra LLC**, Buffalo, NY (US)

CN 303850263 \* 9/2016  
CN 3050307969 \* 2/2019

(Continued)

(72) Inventor: **Todd Wood**, North Vancouver (CA)

OTHER PUBLICATIONS

(73) Assignee: **UMBRA LLC**, Buffalo, NY (US)

JV Home Store, "Luska Collection Corner wall shelf", first avail Jun. 13, 2021 [https://www.amazon.ca/dp/B0976CTTPR/ref=sspa\\_dk\\_detail\\_8?pf\\_rd\\_p=88a70737-8341-4e83-b43f-2849bf84234d&pf\\_rd\\_r=MTC7KJW6NGBJJVVMV9G3&pd\\_rd\\_wg=2KYMO&pd\\_rd\\_w=vX4rw&content-id=amzn1.sym.88a70737-8341-4e83-b43f-2849bf84234d&p](https://www.amazon.ca/dp/B0976CTTPR/ref=sspa_dk_detail_8?pf_rd_p=88a70737-8341-4e83-b43f-2849bf84234d&pf_rd_r=MTC7KJW6NGBJJVVMV9G3&pd_rd_wg=2KYMO&pd_rd_w=vX4rw&content-id=amzn1.sym.88a70737-8341-4e83-b43f-2849bf84234d&p) (Year: 2021).\*

(Continued)

(\*\*) Term: **15 Years**

(21) Appl. No.: **29/788,454**

(22) Filed: **May 28, 2021**

(51) **LOC (14) Cl.** ..... **06-04**

(52) **U.S. Cl.**

USPC ..... **D6/675.1**; D6/533; D6/678

(58) **Field of Classification Search**

USPC ..... D6/553, 569, 570, 571, 574, 650, 672, D6/673, 675, 675.1, 675.2, 675.4, 678  
CPC ..... A47B 47/00; A47B 47/04; A47B 47/0025; A47B 47/0066; A47B 47/047; A47B 47/0091; A47B 63/00; A47B 87/008; A47B 97/001; A47F 5/08

See application file for complete search history.

*Primary Examiner* — Bao-Yen T Nguyen

*Assistant Examiner* — Jessica Ruth Grable

(74) *Attorney, Agent, or Firm* — Simpson & Simpson, PLLC

(57) **CLAIM**

The ornamental design for a module shelf, as shown and described.

**DESCRIPTION**

(56) **References Cited**

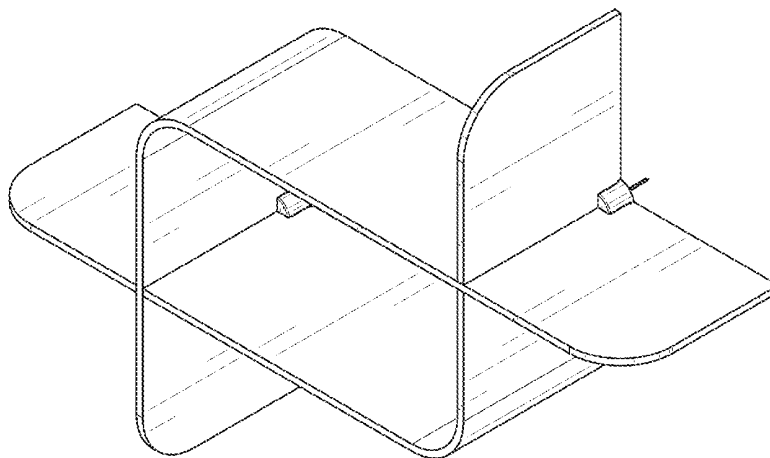
U.S. PATENT DOCUMENTS

D252,550	S	*	8/1979	Johnson	.....	D7/708
D280,477	S	*	9/1985	Petrick, V	.....	D6/661.3
D345,275	S	*	3/1994	Picotte	.....	D6/571
D459,932	S	*	7/2002	Ellwanger	.....	D6/571
D464,500	S	*	10/2002	Roberts	.....	D6/707
D470,333	S	*	2/2003	Roberts	.....	D6/650
D471,394	S	*	3/2003	Robinson	.....	D6/570
D484,333	S	*	12/2003	Frederick	.....	D6/571
D527,558	S	*	9/2006	Ng	.....	D6/678
D537,276	S	*	2/2007	Kelman	.....	D6/682.2
D560,399	S	*	1/2008	Roberts	.....	D6/678.1
D566,427	S	*	4/2008	McConnell	.....	D6/675
D569,655	S	*	5/2008	Williams	.....	D6/682.2

(Continued)

FIG. 1 is a top perspective view of a module shelf of the present invention;  
FIG. 2 is a front elevation view of the module shelf shown in FIG. 1;  
FIG. 3 is a rear elevation view of the module shelf shown in FIG. 1;  
FIG. 4 is a left side elevation view of the module shelf shown in FIG. 1;  
FIG. 5 is a right side elevation view of the module shelf shown in FIG. 1;  
FIG. 6 is a top plan view of the module shelf shown in FIG. 1; and  
FIG. 7 is a bottom plan view of the module shelf shown in FIG. 1.

(Continued)



The drawings illustrate a module shelf as shown in the drawings.

**1 Claim, 7 Drawing Sheets**

(56)

**References Cited**

U.S. PATENT DOCUMENTS

D597,343	S	*	8/2009	Thakur	.....	D6/683.1
D703,979	S	*	5/2014	Saba	.....	D6/678
D705,583	S	*	5/2014	Meissner	.....	D6/675.1
D716,082	S	*	10/2014	Dixon	.....	D6/678.1
D720,166	S	*	12/2014	Trindall	.....	D6/683.1
D735,500	S	*	8/2015	Wu	.....	D6/675
D753,423	S	*	4/2016	Love	.....	D6/678.2
D780,540	S	*	3/2017	Koziol	.....	D7/701
D797,476	S	*	9/2017	Caillouet	.....	D6/672
D808,806	S	*	1/2018	Campbell	.....	D9/456
D809,716	S	*	2/2018	Spaile	.....	D30/119
D869,869	S	*	12/2019	Ascalon	.....	D6/349
D893,222	S	*	8/2020	Tseng	.....	D6/678
D910,333	S	*	2/2021	Davis	.....	D6/574
11,425,996	B2	*	8/2022	DeShon	.....	A47B 87/008

FOREIGN PATENT DOCUMENTS

JP	D1563055	*	10/2016
WO	D014785-001	*	10/1989
WO	D079917-013	*	11/2012

OTHER PUBLICATIONS

Comfify Store, "Modern Wall Mounted Square shaped shelves", first avail Feb. 23, 2020 [https://www.amazon.ca/Modern-Mounted-Square-Floating-Shelves/dp/B081S3MF9G/ref=d\\_pd\\_di\\_sccai\\_cn\\_scc1\\_3\\_5/141-9159823-8695952?pd\\_rd\\_w=6Ws4v&content-id=amzn1.sym.d6674fdf-bd00-4d07-8317-6dfd6c498cdf&pf\\_rd\\_p=d6674fd](https://www.amazon.ca/Modern-Mounted-Square-Floating-Shelves/dp/B081S3MF9G/ref=d_pd_di_sccai_cn_scc1_3_5/141-9159823-8695952?pd_rd_w=6Ws4v&content-id=amzn1.sym.d6674fdf-bd00-4d07-8317-6dfd6c498cdf&pf_rd_p=d6674fd) (Year: 2020).\*

Comfify Store, "Rustic wall mounted shelves set of 3", first avail Jul. 7, 2018 [https://www.amazon.ca/dp/B07F6TNVLZ/ref=sspa\\_dk\\_detail\\_4?pd\\_rd\\_i=B07F6TNVLZ&pd\\_rd\\_w=kc3wk&content-id=amzn1.sym.88a70737-8341-4e83-b43f-2849bf84234d&pf\\_rd\\_p=88a70737-8341-4e83-b43f-2849bf84234d&pf\\_rd\\_r=J7RDQ7MRNQARPMQ86](https://www.amazon.ca/dp/B07F6TNVLZ/ref=sspa_dk_detail_4?pd_rd_i=B07F6TNVLZ&pd_rd_w=kc3wk&content-id=amzn1.sym.88a70737-8341-4e83-b43f-2849bf84234d&pf_rd_p=88a70737-8341-4e83-b43f-2849bf84234d&pf_rd_r=J7RDQ7MRNQARPMQ86) (Year: 2018).\*

LitFad, "Geometry Bamboo Bookshelf" no first available date [https://www.litfad.com/geometry-bamboo-bookshelf-modern-style-bookcase-for-home-office-22-w-x-9-d-s-2699381.html?gclid=EA1aIQobChMtrWslsqQ\\_QIV8M\\_ICh3oOQ0-EAsYBiABEgIkW\\_D\\_BwE](https://www.litfad.com/geometry-bamboo-bookshelf-modern-style-bookcase-for-home-office-22-w-x-9-d-s-2699381.html?gclid=EA1aIQobChMtrWslsqQ_QIV8M_ICh3oOQ0-EAsYBiABEgIkW_D_BwE) (Year: 2023).\*

Pomono, "Czechoslovak Bent Plywood Shelf by Ludvik Volak" from 1960 <https://www.pomono.ca/czechoslovak-bent-plywood-shelf-by-ludvik-volak-for-drevopodnik-holesov-1960s> (Year: 1960).\*

Navaris, "Curved Tree Bookcase" first available May 12, 2021 [https://www.amazon.ca/Navaris-Tree-Bookshelf-Bookcase-Standing/dp/B08W29D9SB/ref=sr\\_1\\_9?crid=YJ2J2S24AIV4&keywords=Curved+plywood+wall+shelf&qid=1677119744&s=kitchen&sprefix=curved+plywood+wall+shelf%2Ckitchen%2C85&sr=1-9](https://www.amazon.ca/Navaris-Tree-Bookshelf-Bookcase-Standing/dp/B08W29D9SB/ref=sr_1_9?crid=YJ2J2S24AIV4&keywords=Curved+plywood+wall+shelf&qid=1677119744&s=kitchen&sprefix=curved+plywood+wall+shelf%2Ckitchen%2C85&sr=1-9) (Year: 2021).\*

\* cited by examiner

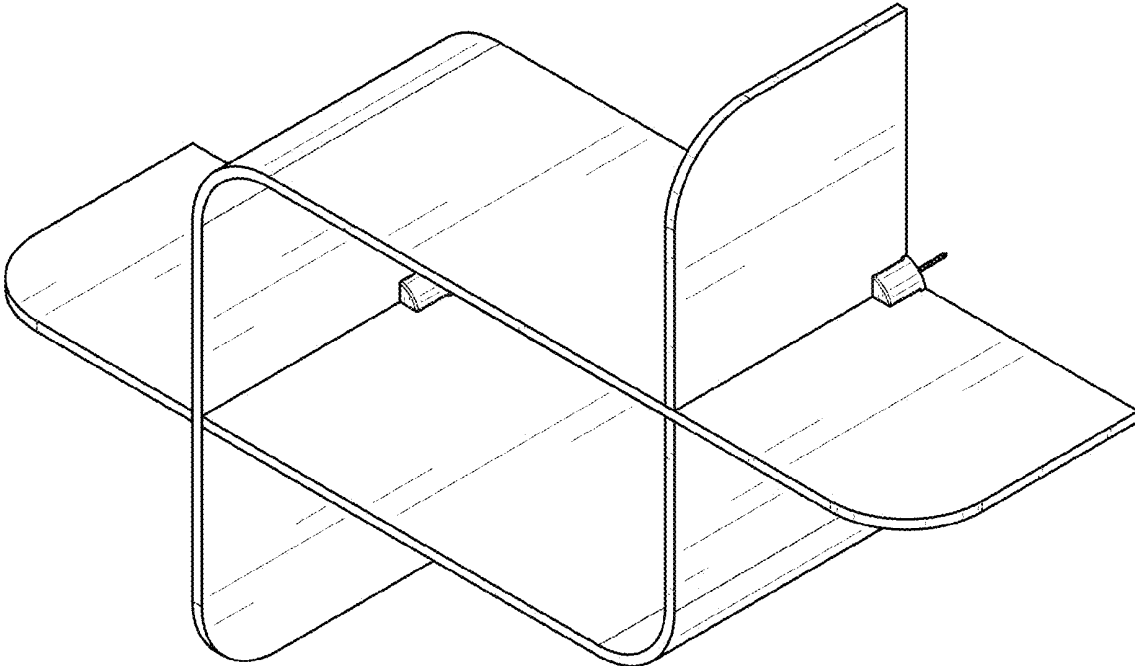


FIG. 1

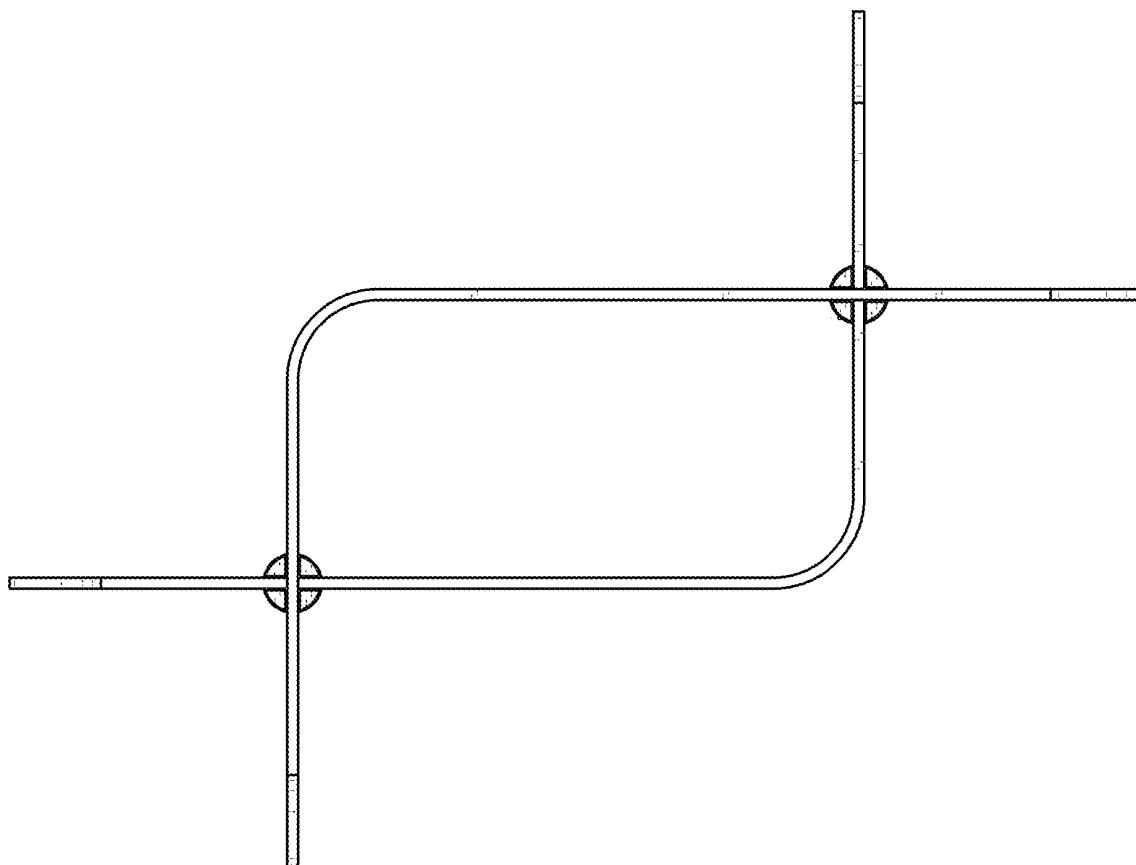


FIG. 2

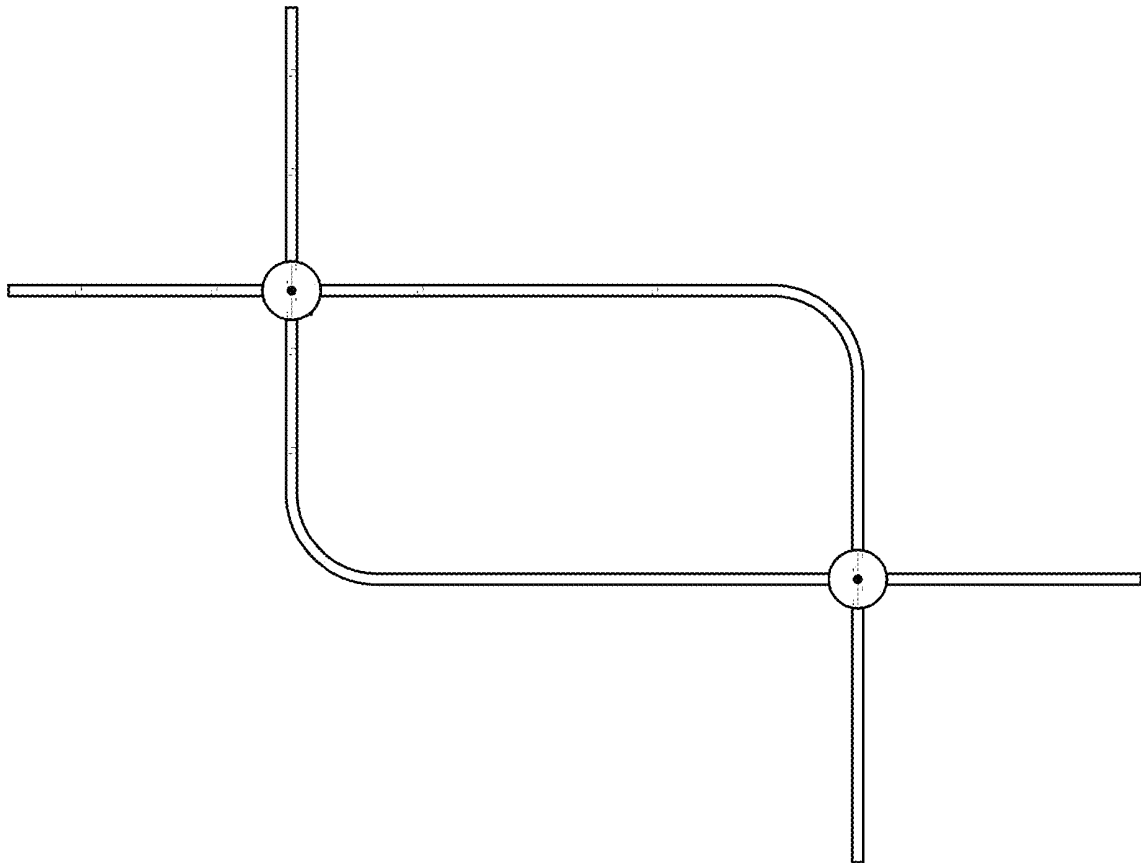


FIG. 3

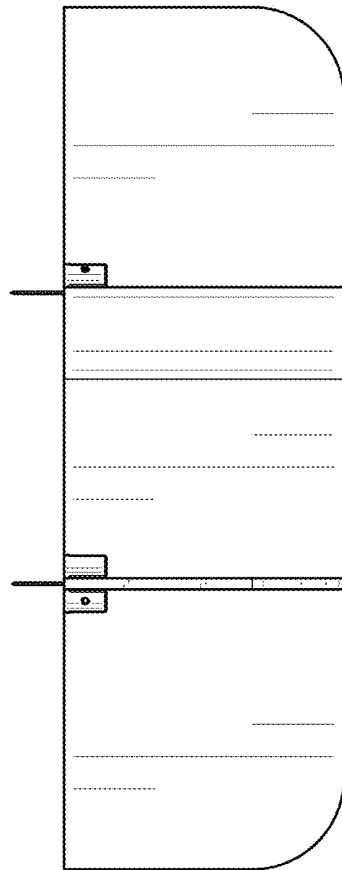


FIG. 4

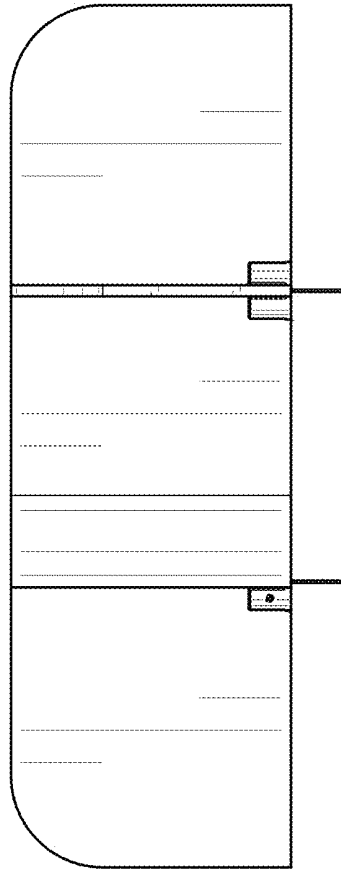


FIG. 5

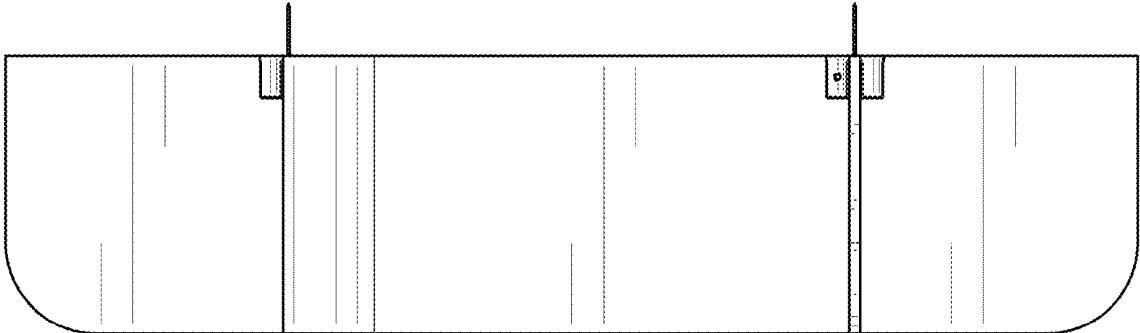


FIG. 6



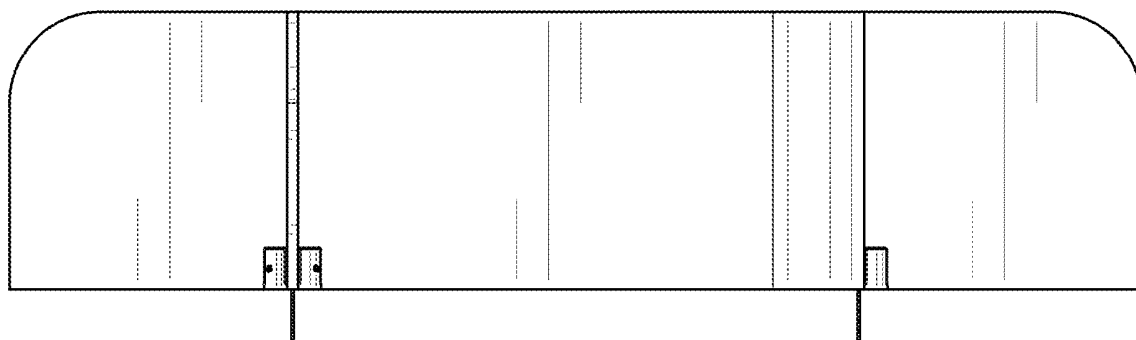


FIG. 7