



US00D996068S

(12) **United States Design Patent** (10) **Patent No.:** **US D996,068 S**
Park et al. (45) **Date of Patent:** **** Aug. 22, 2023**

(54) **HANGING PHOTO DISPLAY** 7,523,574 B2 * 4/2009 Henick G09F 7/18
40/617
(71) Applicant: **Umbra LLC**, Buffalo, NY (US) D606,761 S * 12/2009 Quinn D6/302
D958,547 S * 7/2022 Park D6/302
(72) Inventors: **Sung Wook Park**, Toronto (CA); 2005/0001136 A1 * 1/2005 Fleishman A47G 1/1686
David Fleishman, Toronto (CA) 248/498

(73) Assignee: **UMBRA LLC**, Buffalo, NY (US)
(**) Term: **15 Years**

(21) Appl. No.: **29/790,762**

(22) Filed: **Dec. 14, 2021**

(51) **LOC (14) Cl.** **06-07**

(52) **U.S. Cl.**
USPC **D6/302**

(58) **Field of Classification Search**
USPC D6/300-314
CPC .. A47G 1/00; A47G 2001/002; F21V 33/004;
A45D 42/10
See application file for complete search history.

(56) **References Cited**

U.S. PATENT DOCUMENTS

3,676,942 A * 7/1972 Elrod A47F 7/143
40/617
D263,362 S * 3/1982 Jackson D6/682.2
D370,567 S * 6/1996 Veros D11/141
D396,148 S * 7/1998 Carpenter D6/302
D474,899 S * 5/2003 Henick D6/301
D487,356 S * 3/2004 Gasparian D6/301
6,820,853 B1 * 11/2004 DuBarry A47G 1/1686
248/495

OTHER PUBLICATIONS

Title: Photo Display Assembly; <https://www.umbra.com/products/exhibit-photo-frame>; Date: Feb. 2019.

* cited by examiner

Primary Examiner — Deanna L Pratt
(74) *Attorney, Agent, or Firm* — Simpson & Simpson, PLLC

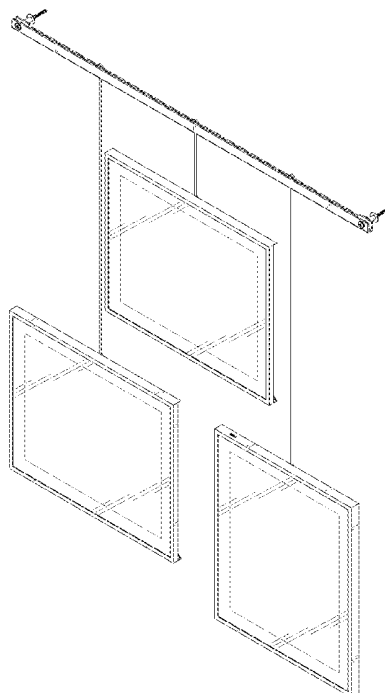
(57) **CLAIM**

The ornamental design for a hanging photo display, as shown and described.

DESCRIPTION

FIG. 1 is a front perspective view of the hanging photo display of the present invention;
FIG. 2 is a front elevational view of the hanging photo display shown in FIG. 1;
FIG. 3 is a rear elevational view of the hanging photo display shown in FIG. 1;
FIG. 4 is a left side elevational view of the hanging photo display shown in FIG. 1;
FIG. 5 is a right side elevational view of the hanging photo display shown in FIG. 1;
FIG. 6 is a top view of the hanging photo display shown in FIG. 1; and,
FIG. 7 is a bottom view of the hanging photo display shown in FIG. 1.

1 Claim, 5 Drawing Sheets



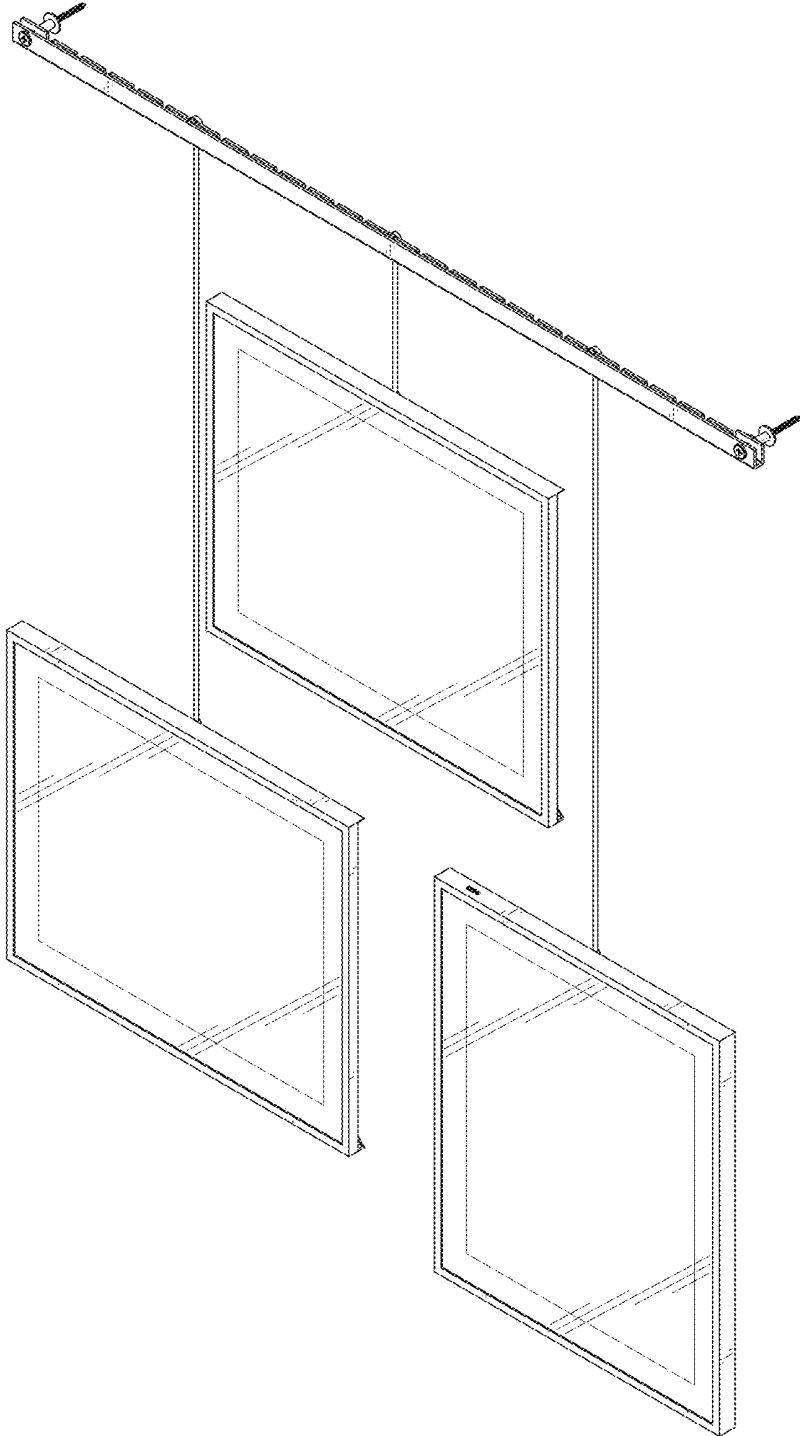


FIG. 1

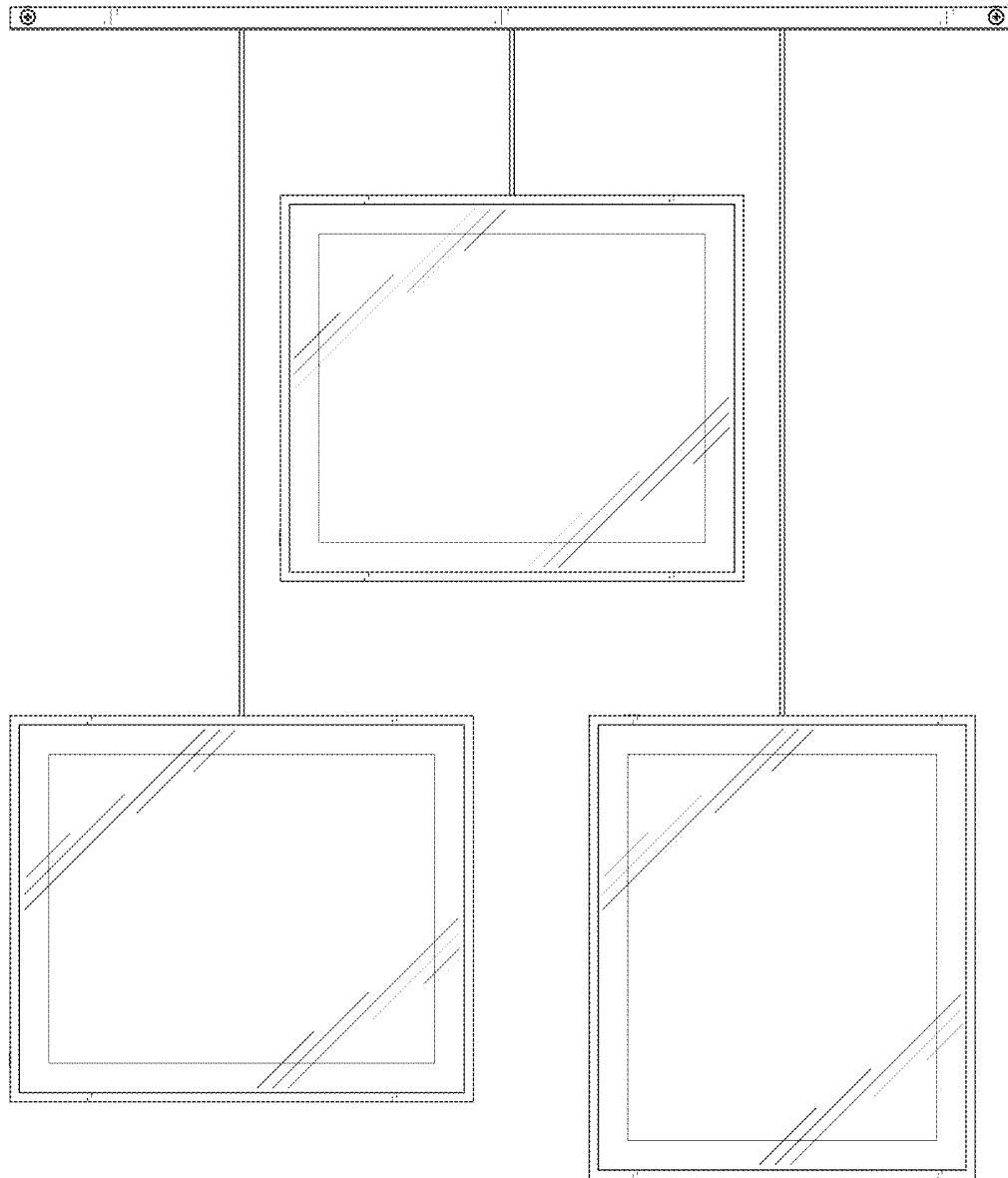


FIG. 2

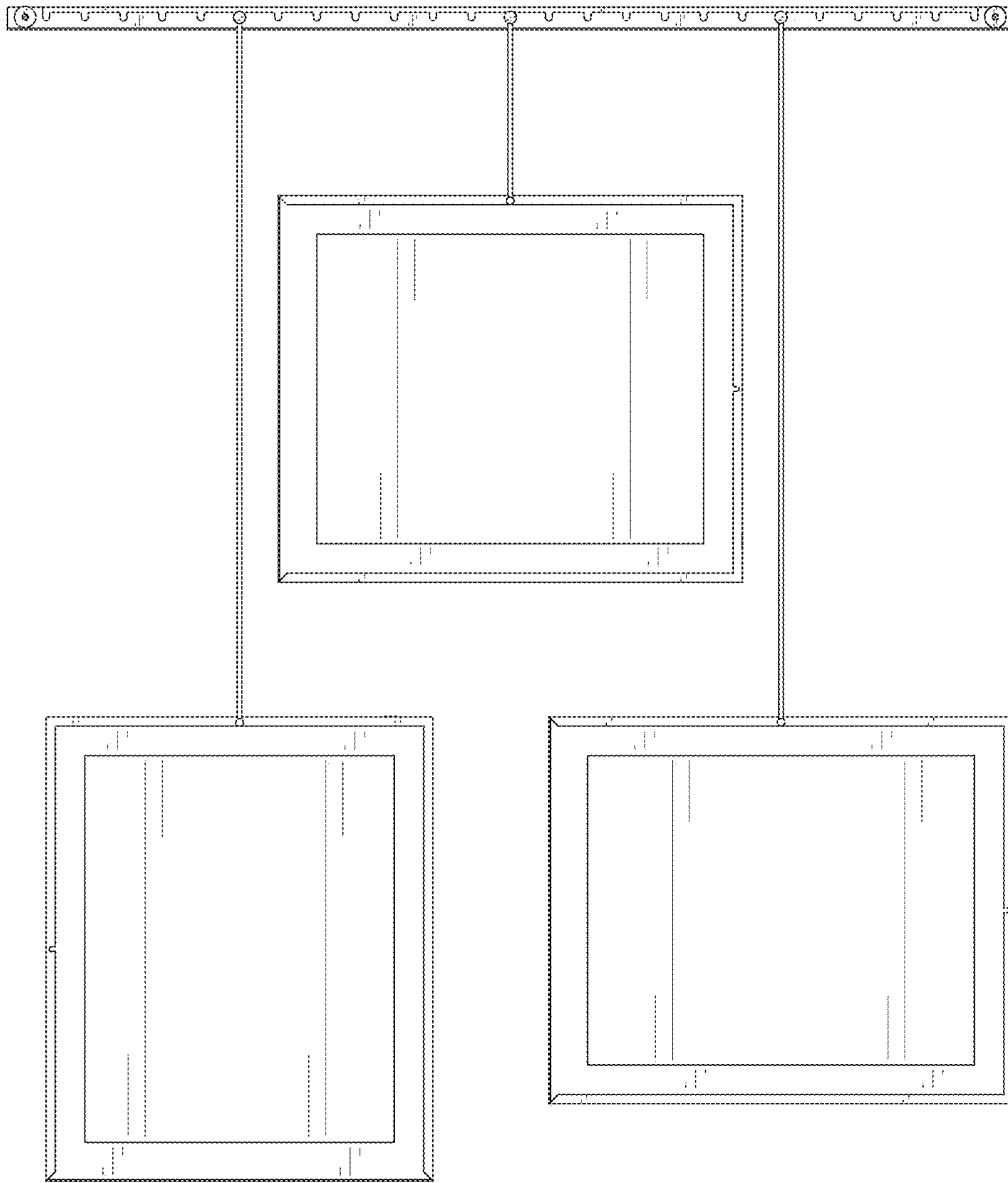


FIG. 3

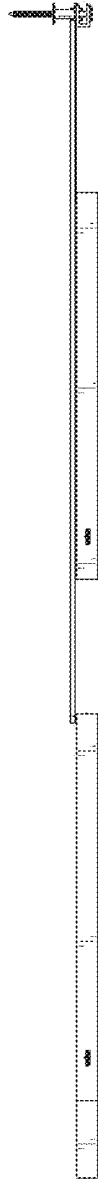


FIG. 4

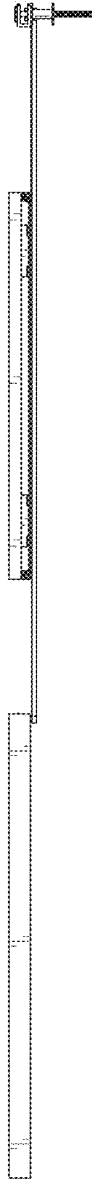


FIG. 5

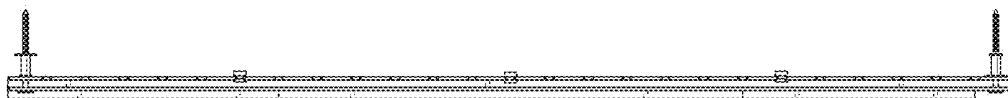


FIG. 6

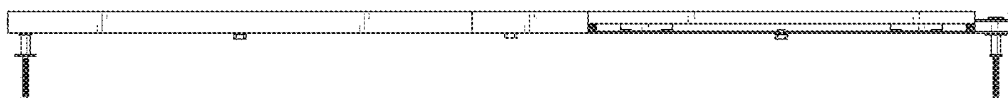


FIG. 7